

THIS DRAWING IS UNPUBLISHED.

RELEASED FOR PUBLICATION

LOC

DIST

REVISIONS

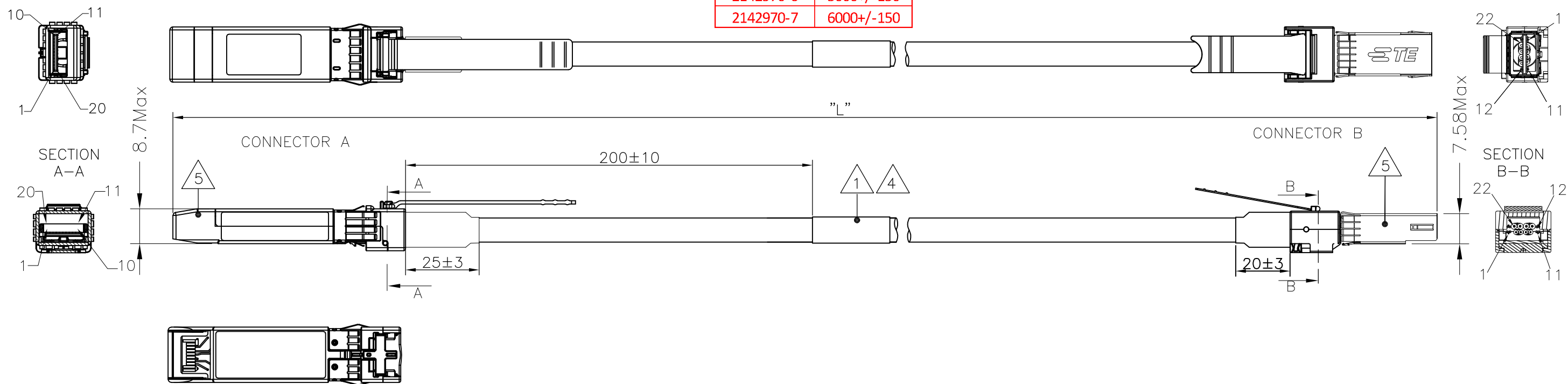
© COPYRIGHT - By -

ALL RIGHTS RESERVED.

P	LTR	DESCRIPTION	DATE	DWN	APVD
5	-		20NOV2014	WZ	RL

TE PN	LENGTH "L"
2142970-1	500+/-15
2142970-2	1000+/-25
2142970-3	2000+/-50
2142970-4	3000+/-75
2142970-5	4000+/-125
2142970-6	5000+/-150
2142970-7	6000+/-150

PRELIMINARY PART  
NOT RELEASED FOR PRODUCTION



Notes:

1. LABEL:

**STE** 2142970-[]  
micro SFP+ TO SFP+  
YYWWSSSS

- 2. ASSEMBLY TO BE TESTED FOR CONTINUITY, OPENS, SHORTS, EEPROM PROGRAM AND SIGNAL INTEGRITY.
- 4. SEE SHEET 2 FOR WIRING SCHEMATIC. PROGRAM EEPROM PER 2142970\_EEPROM.
- 4. IN CASE ASSY LENGTH < 0.4M THEN PLACE LABEL IN THE MIDDLE.
- 5. SLIDE DUST CAP OVER CONNECTOR (DUST CAP NOT SHOWN ON DRAWING)

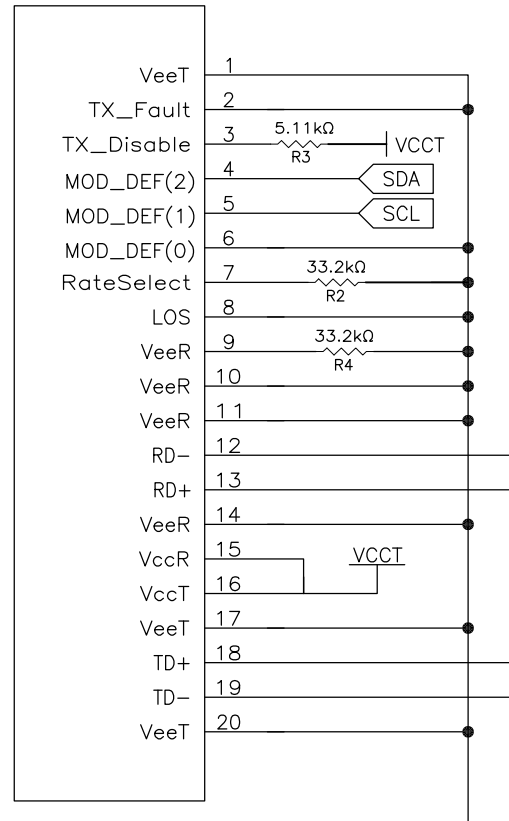
<b>PRODUCT AND PROCESSING MUST MEET REQUIREMENTS OF TE CONNECTIVITY ENVIRONMENTAL STANDARD TEC-138-702</b>		DWN 9SEP2014 WILL ZI		<b>STE</b> TE Connectivity	
THIS DRAWING IS A CONTROLLED DOCUMENT.		CHK - Zhang, Finn			
DIMENSIONS: mm		TOLERANCES UNLESS OTHERWISE SPECIFIED:		NAME Micro SFP+ to SFP+	
		0 PLC ± - 1 PLC ± - 2 PLC ± - 3 PLC ± - 4 PLC ± - ANGLES ± -			
MATERIAL -		FINISH -		APVD - Roel Lokven van	
		WEIGHT -		PRODUCT SPEC -	
		CUSTOMER DRAWING		APPLICATION SPEC -	
		SCALE 1:1		RESTRICTED TO -	
		SHEET 1 of 2		SIZE A3	
		REV 5		CAGE CODE 00779	
				DRAWING NO C-2142970	

THIS DRAWING IS UNPUBLISHED. RELEASED FOR PUBLICATION  
 © COPYRIGHT - By - ALL RIGHTS RESERVED.

LOC	DIST	REVISIONS					
		P	LTR	DESCRIPTION	DATE	DWN	APVD
-	-	-	-	SEE SHEET 1	-	-	-

### CONNECTOR A

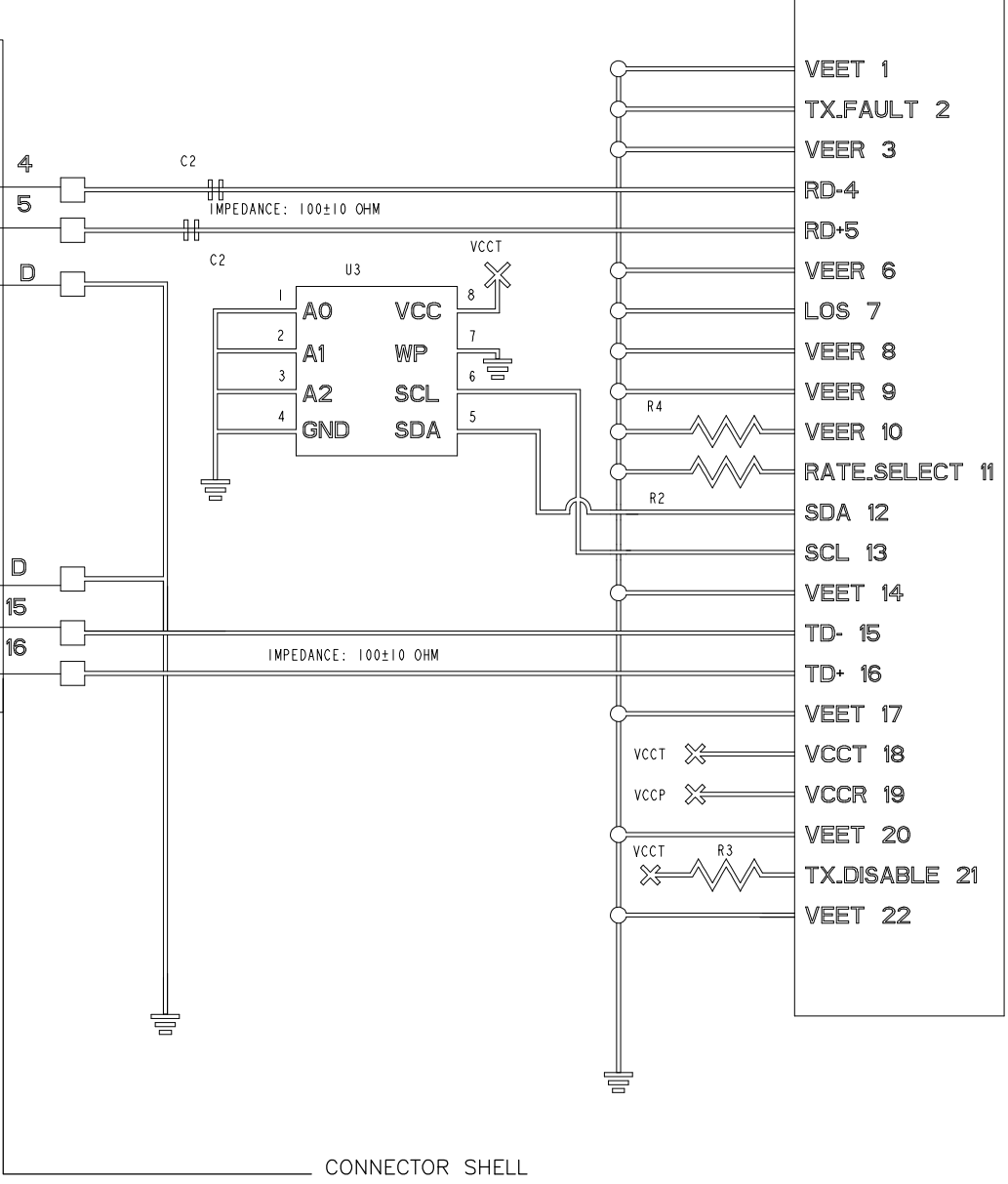
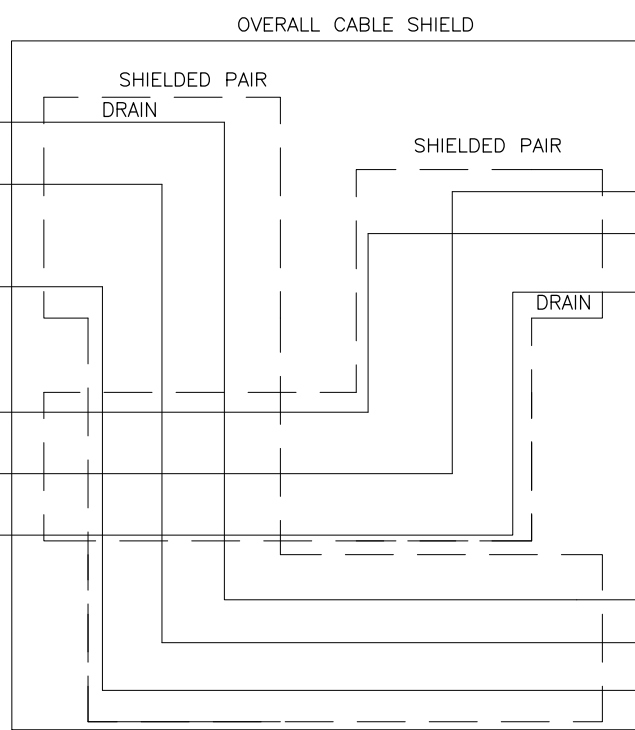
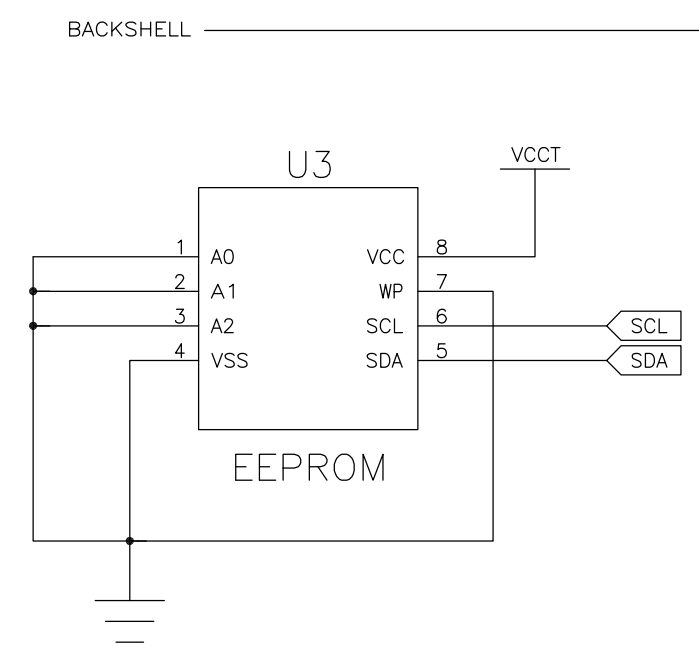
### SFP+



### WIRE DIAGRAM

### CONNECTOR B

### micro SFP+



THIS DRAWING IS A CONTROLLED DOCUMENT.		DWN	9SEP2014		<b>STE</b> TE Connectivity
		WILL ZI			
DIMENSIONS: mm		CHK	Zhang, Finn		NAME
TOLERANCES UNLESS OTHERWISE SPECIFIED:		APVD	Roel Lokven van		
0 PLC ± -		PRODUCT SPEC			Micro SFP+ to SFP+
1 PLC ± -		APPLICATION SPEC			
2 PLC ± -		WEIGHT	-		SIZE
3 PLC ± -		MATERIAL	-		CAGE CODE
4 PLC ± -			-		DRAWING NO
ANGLES ± -		-		RESTRICTED TO	
FINISH		-		A3 00779 C-2142970	
		CUSTOMER DRAWING		SCALE	1:1
				SHEET	2 OF 2
				REV	5

## X-ON Electronics

Largest Supplier of Electrical and Electronic Components

*Click to view similar products for [Ethernet Cables / Networking Cables](#) category:*

*Click to view products by [TE Connectivity](#) manufacturer:*

Other Similar products are found below :

[73-6670-7](#) [73-6680-15](#) [73-7797-25](#) [MCJB2-10P6Q7-120](#) [84909-0204](#) [1200700174](#) [1200860368](#) [E16A06002M030](#) [E200102-009-S1](#)  
[AX105346-EW](#) [MT14-187L](#) [17-103530](#) [ERWPAB3002M005](#) [190-038045-01](#) [NK5EPC18RDY](#) [NK5EPC18VLY](#) [NK5EPC18YLY](#)  
[NK5EPC1GRY](#) [NK5EPC4Y](#) [NK5EPC6YLY](#) [NK5EPC8BLY](#) [NK5EPC9YLY](#) [1969343-6](#) [C501100010](#) [C501106002](#) [C501106007](#)  
[C501106015](#) [C501106025](#) [C601102010](#) [C601104010](#) [C601106007](#) [C601106015](#) [2142758-2](#) [2168427-2](#) [CAT1106007](#) [21949-1](#) [2J1866A](#)  
[RJF SFTP 5E 0500](#) [AX100351](#) [MN14CEC/ST](#) [C501100015](#) [C501106004](#) [C501106010](#) [C5F1108007](#) [C601104004](#) [C601106004](#)  
[CA21106004](#) [CA21106010](#) [CA21106015](#) [CA21109007](#)