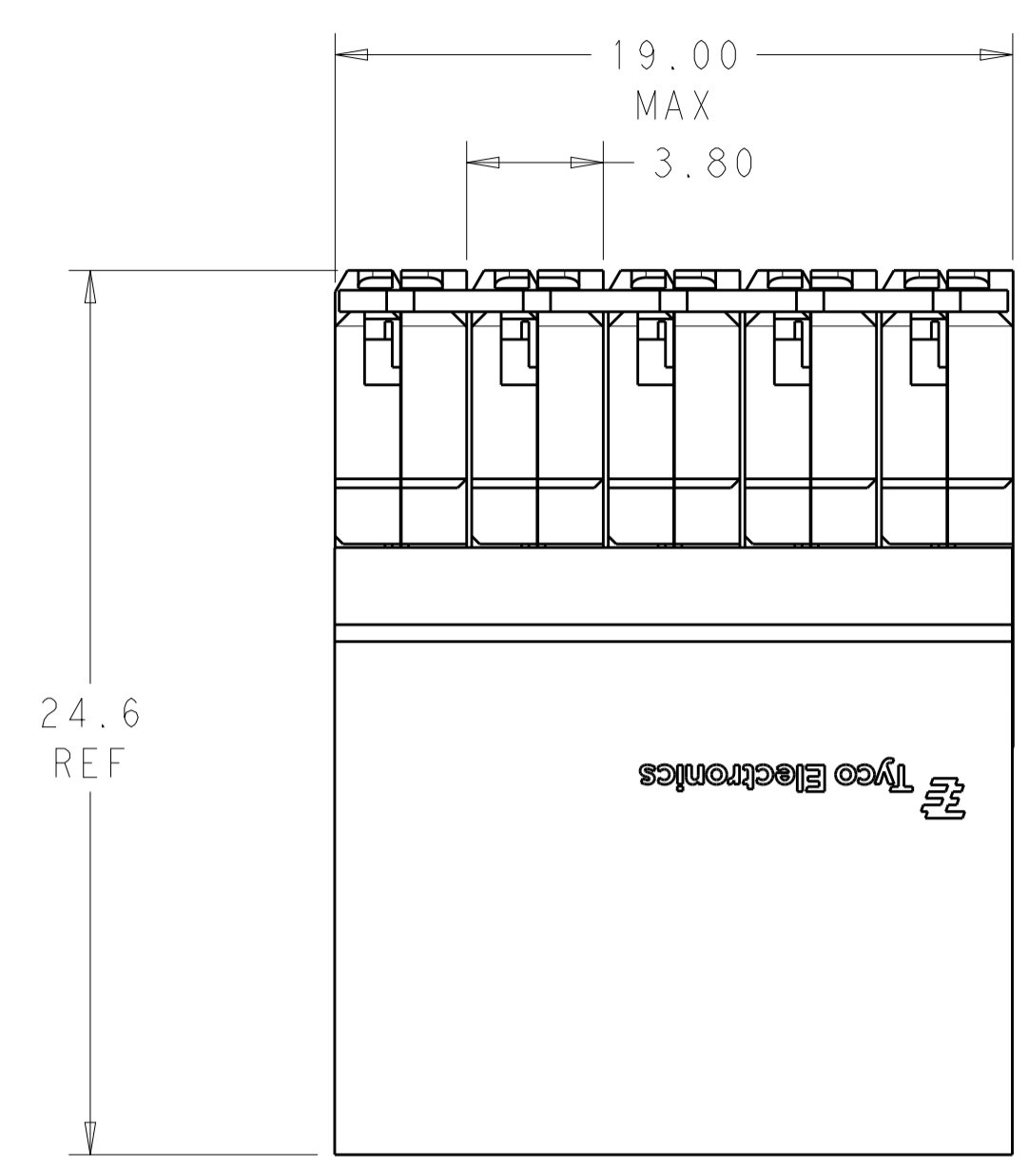
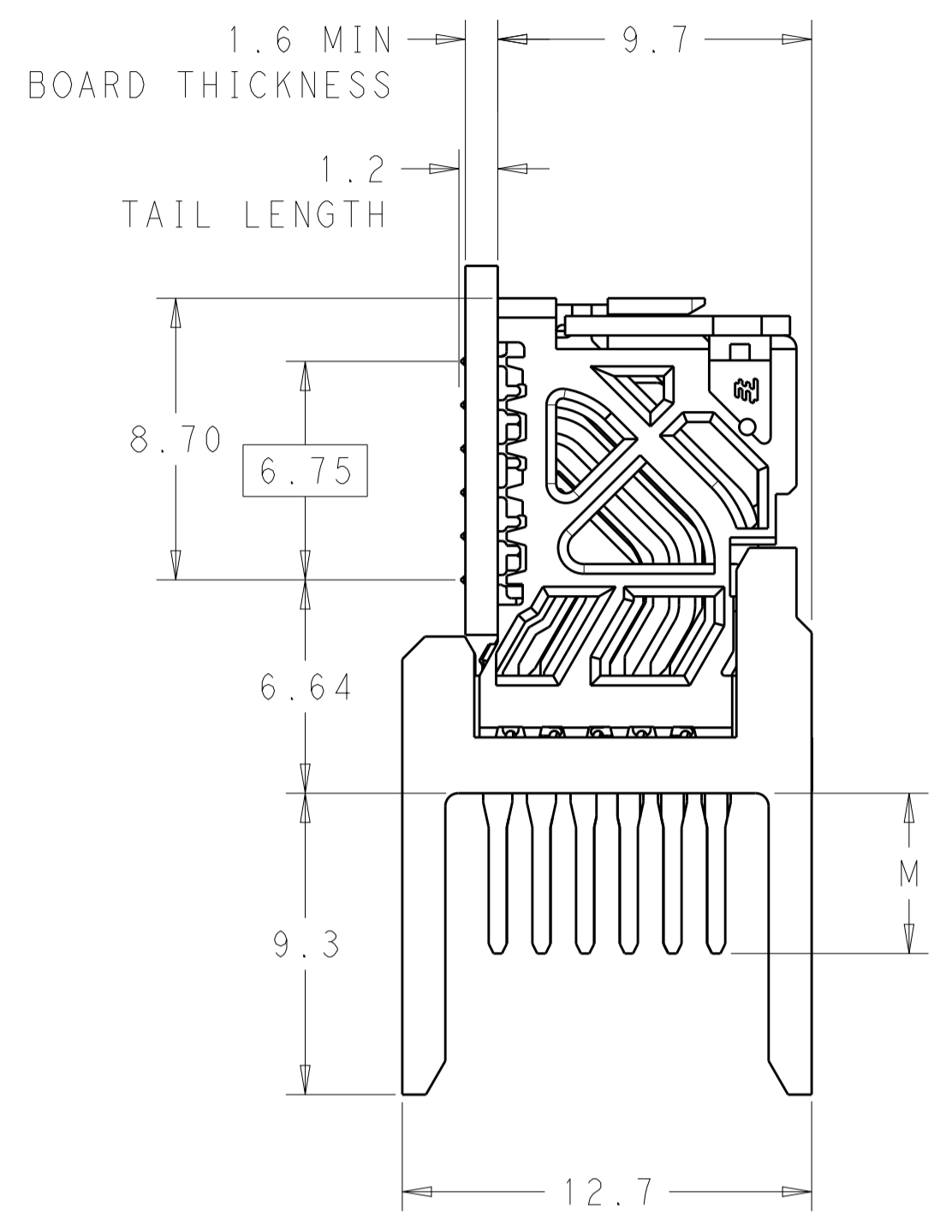
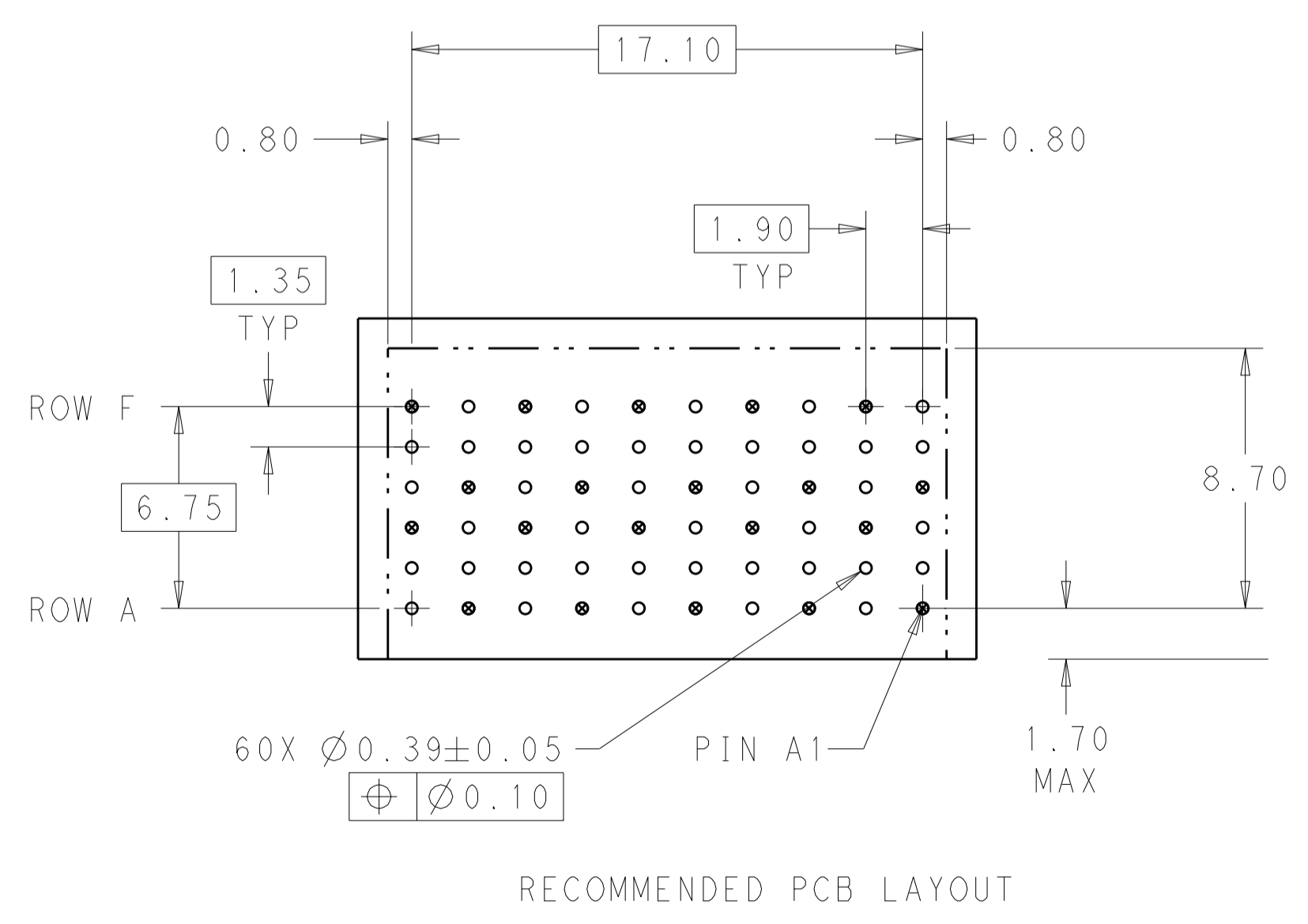
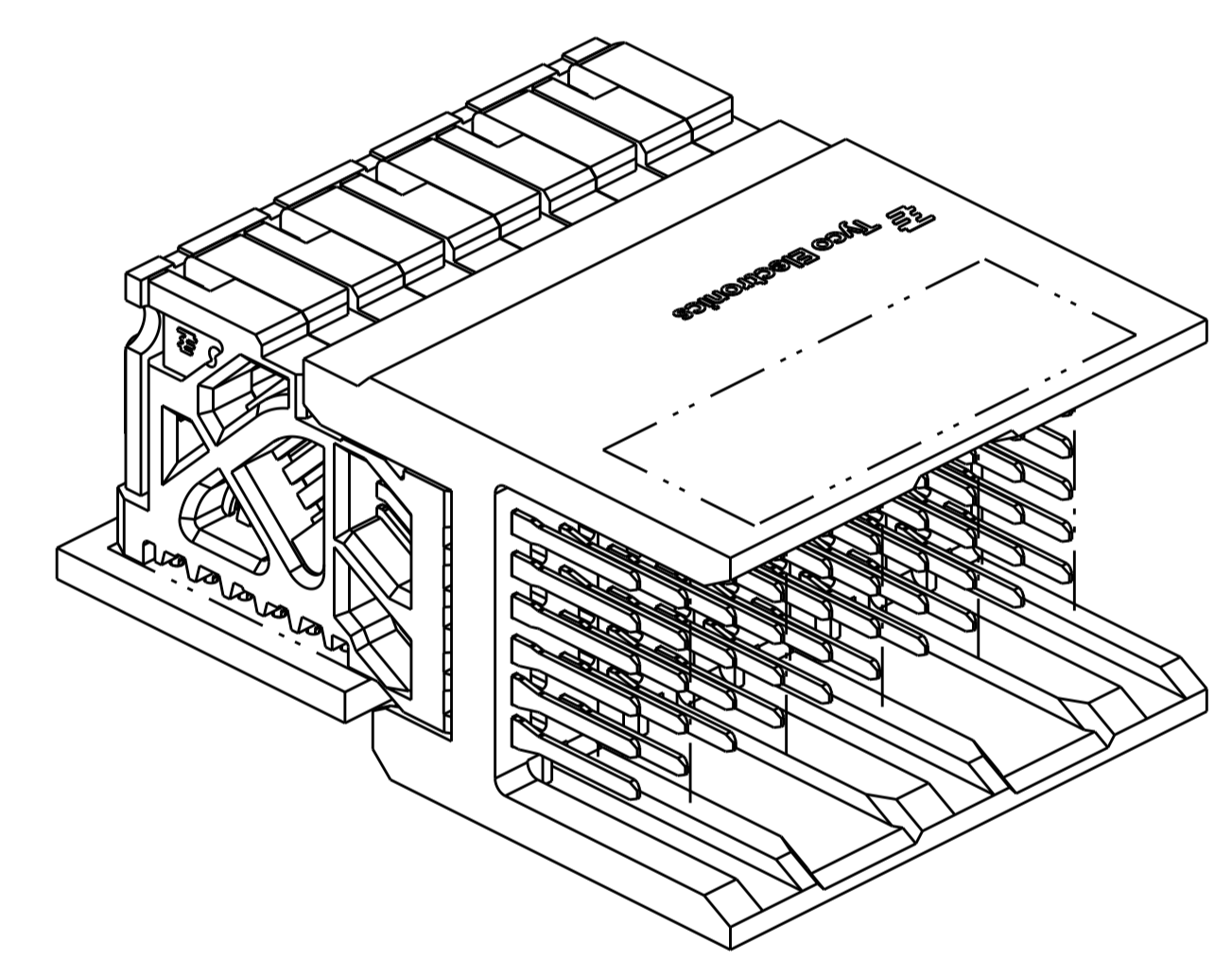
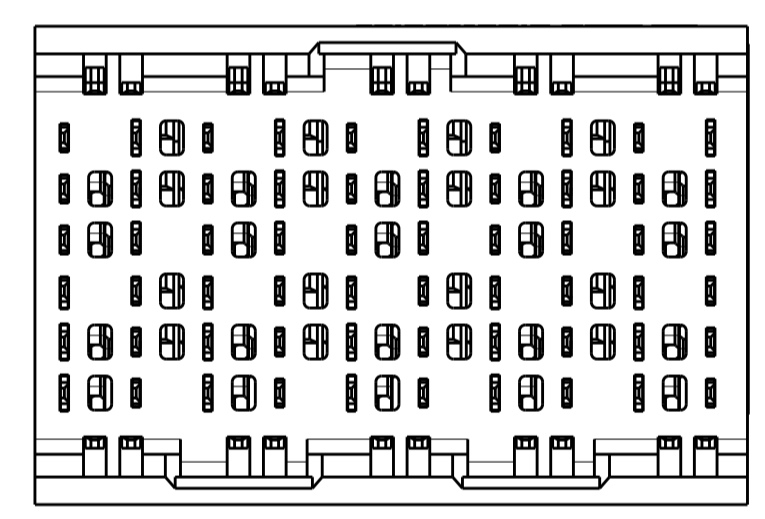


REVISIONS				
P.	LTN.	DESCRIPTION	DATE	APVD.
B		REVISED PER ECO-14-005775	21APR2014	AP DD

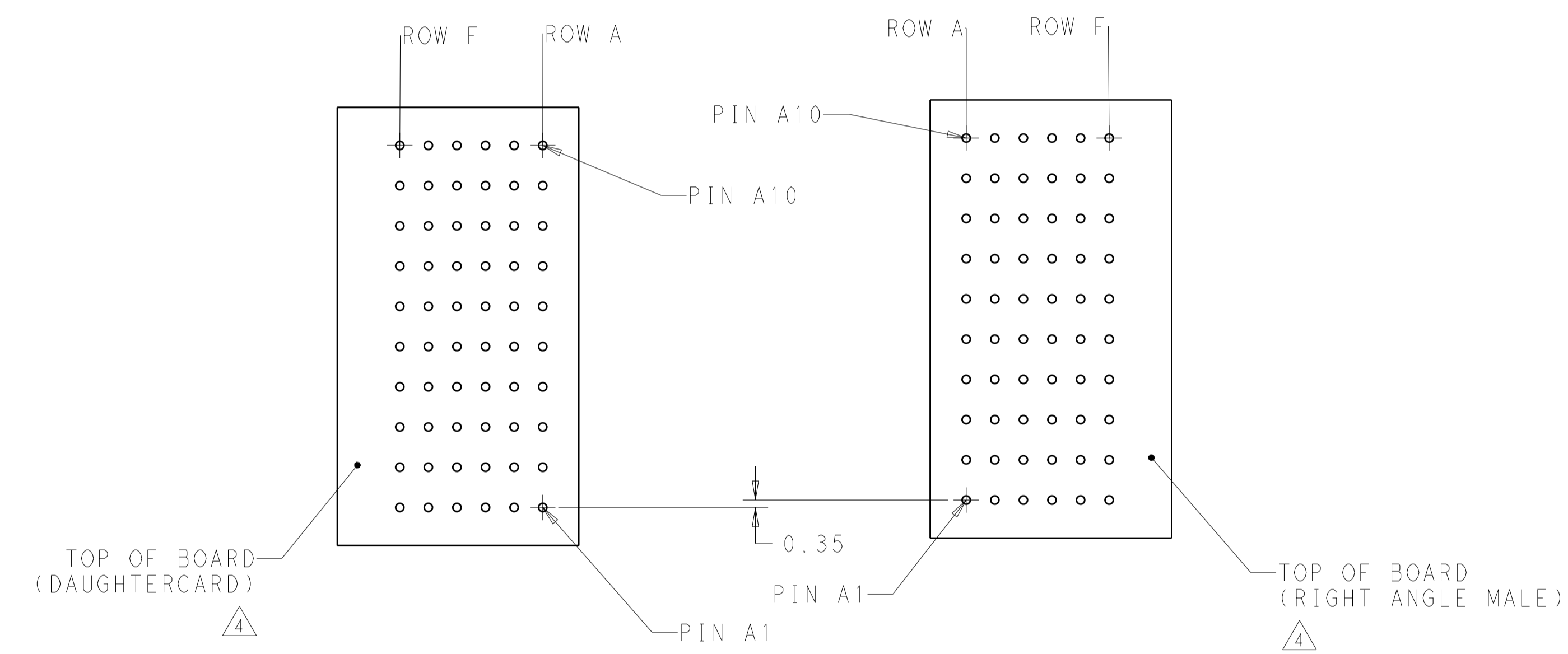


- 1 MATERIAL:
 HOUSING: LCP, GLASS FILLED, UL94V-0.
 TERMINALS: HIGH PERFORMANCE COPPER ALLOY.
- 2 FINISH:
 30µm SELECTIVE GOLD IN CONTACT AREA. SELECTIVE TIN ON PCB TAILS, NICKEL OVERALL.
- 3 FINISH:
 30µm SELECTIVE GOLD IN CONTACT AREA. SELECTIVE TIN-LEAD ON PCB TAILS, NICKEL OVERALL.
- 4 UNGUIDED RIGHT ANGLE MALE MATES TO UNGUIDED RIGHT ANGLE RECEPTACLE.



THIS DRAWING IS A CONTROLLED DOCUMENT.		DWN 06APR2011	STE TE Connectivity
DIMENSIONS: mm		CHK J. EARY 06APR2011	
TOLERANCES UNLESS OTHERWISE SPECIFIED:		APVD J. EARY 06APR2011	NAME: IMPACT, STD, RAM, 2 PAIR, 10 COLUMN, UNGUIDED OPEN END WALL SIGNAL MODULE, 0.39 EYELET
0 PLC ±		PRODUCT SPEC	
1 PLC ±0.25		APPLICATION SPEC	SIZE CAGE CODE DRAWING NO
2 PLC ±0.13		RESTRICTED TO	A100779C=2143012
3 PLC ±		SCALE 5:1	SHEET 1 OF 2
4 PLC ±		WEIGHT	REV B
ANGLES ±		CUSTOMER DRAWING	
FINISH SEE TABLE			

REVISIONS				
P.	LTN	DESCRIPTION	DATE	APVD
-	-	SEE SHEET 1	-	-



COPLANAR MATED SIGNAL PATHS



△3	5.50	2143012-6
△3	4.90	2143012-5
△2	5.50	2143012-3
△2	4.90	2143012-2
FINISH	DIM M	PART NUMBER

REFER TO WWW.TE.COM FOR PRODUCT AVAILABILITY

THIS DRAWING IS A CONTROLLED DOCUMENT.		DWN 06APR2011	TE TE Connectivity
DIMENSIONS: mm		CHK J. EARY 06APR2011	
TOLERANCES UNLESS OTHERWISE SPECIFIED:		APVD J. EARY 06APR2011	NAME: IMPACT, STD, RAM, 2 PAIR, 10 COLUMN, UNGUIDED OPEN END WALL SIGNAL MODULE, 0.39 EYELET
0 PLC ±0.25		PRODUCT SPEC	
1 PLC ±0.13		APPLICATION SPEC	SIZE CAGE CODE DRAWING NO
2 PLC ±		RESTRICTED TO	A100779C=2143012
3 PLC ±		WEIGHT	CUSTOMER DRAWING
4 PLC ±		SCALE 5:1	SHEET 2 OF 2
ANGLES FINISH SEE TABLE		REV B	

X-ON Electronics

Largest Supplier of Electrical and Electronic Components

Click to view similar products for [High Speed/Modular Connectors](#) category:

Click to view products by [TE Connectivity](#) manufacturer:

Other Similar products are found below :

[650827-1](#) [74040-1346](#) [1410191-1](#) [1410368-3](#) [1410964-2](#) [1410326-3](#) [1410367-3](#) [1410971-4](#) [1467833-1](#) [2000877-1](#) [2000878-1](#) [2041314-1](#)
[2065387-1](#) [2187307-1](#) [163P](#) [1934290-1](#) [2000875-1](#) [2065917-1](#) [2102736-2](#) [FSR-40](#) [2169868-2](#) [22354-8](#) [437-5040-000](#) [5-1393565-0](#) [039-](#)
[0246-000](#) [0761601016](#) [0784461022](#) [10123159-12ELF](#) [030-2415-003/100 PK](#) [030-7380-004](#) [030-2494-001](#) [532939-1](#) [5532901-3](#) [3-1469268-](#)
[7](#) [74748-102LF](#) [10041743-101LF](#) [10066670-100002LF](#) [1-533915-1](#) [249-4515-000](#) [7-1469373-3](#) [DL2-2J/S](#) [2000713-8](#) [2000713-7](#)
[10124313-101LF](#) [3011-21](#) [757105208](#) [EBTF-4-10-2.0-S-RA-1](#) [430305-001](#) [4395800100](#) [8140115](#)