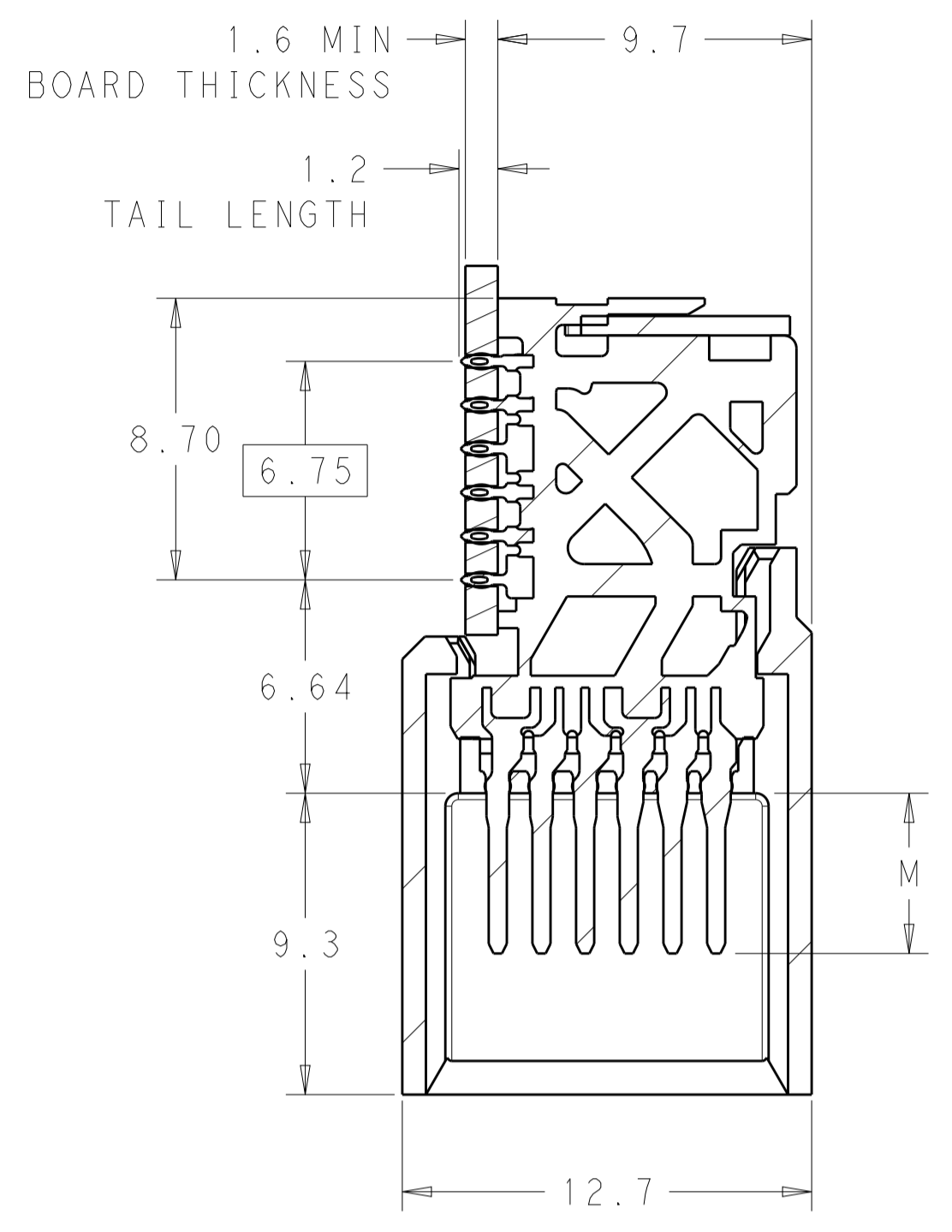
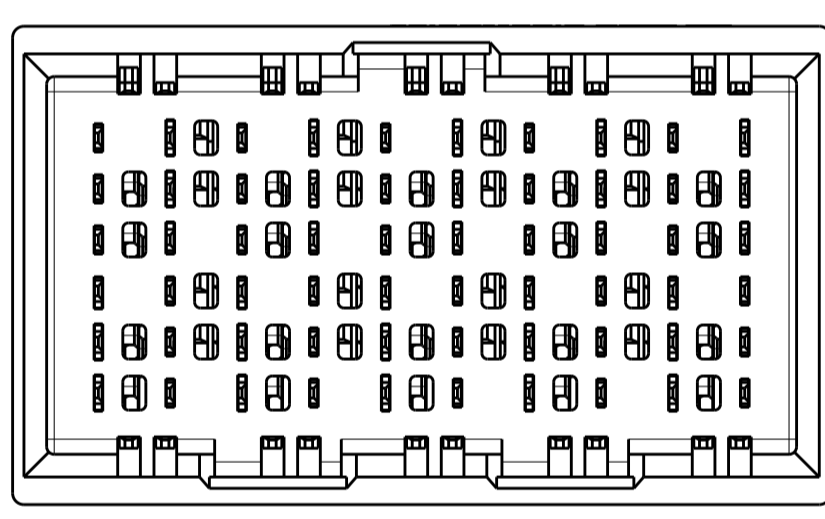
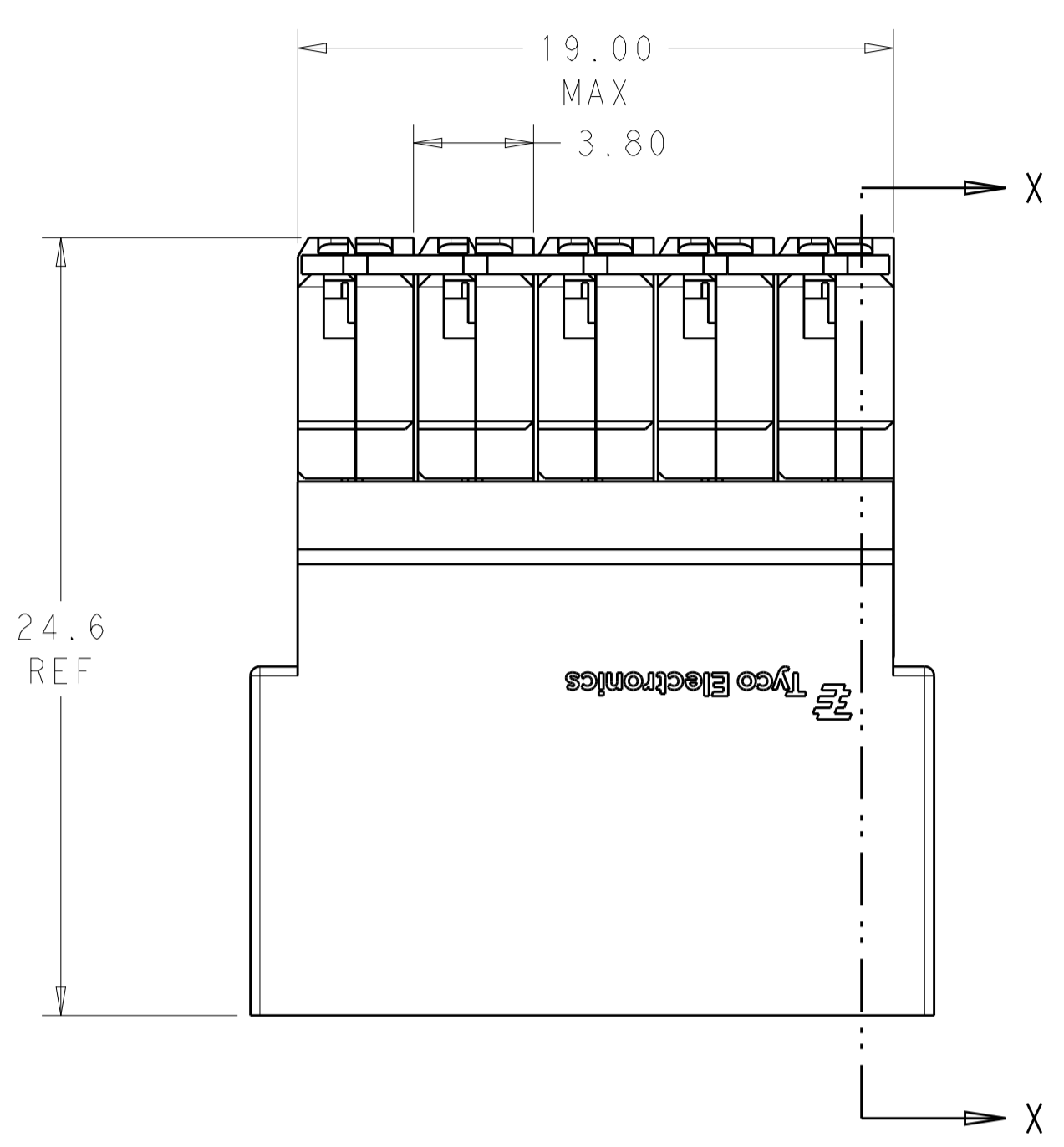


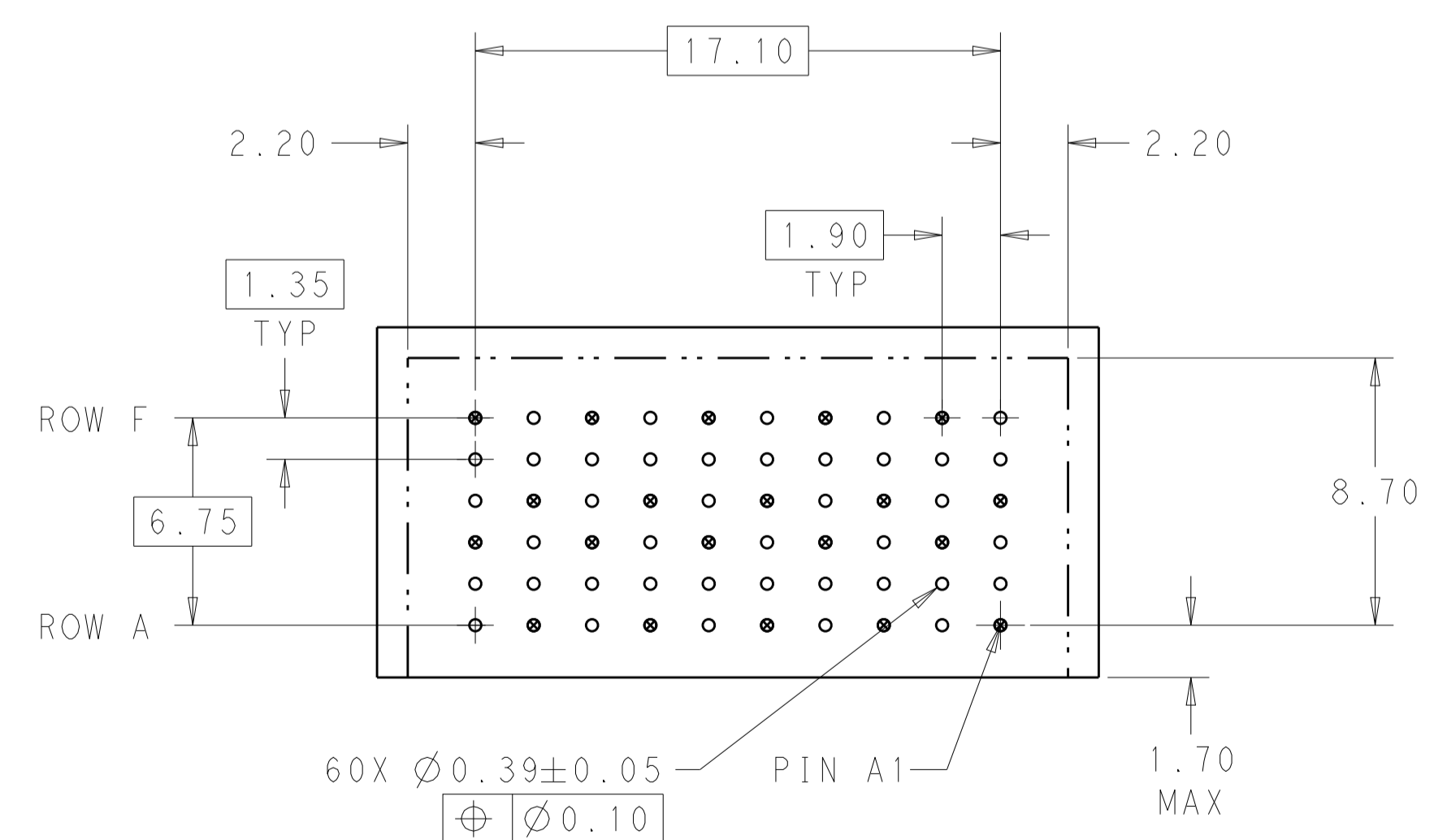
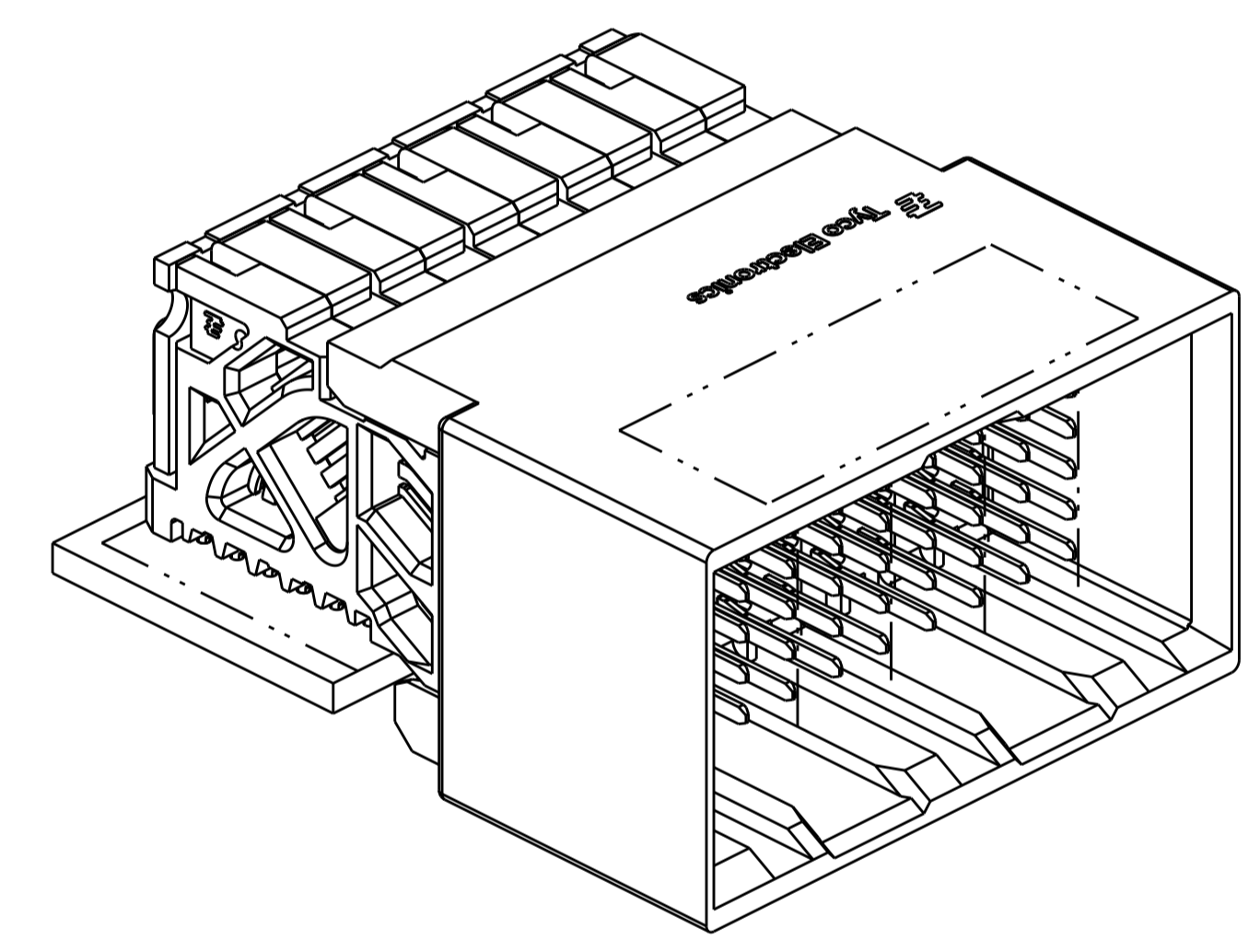
REVISIONS				
P.	LTN.	DESCRIPTION	DATE	APVD.
B1		REVISED PER ECO-15-003239	24MAR2015	AP DD



SECTION X-X



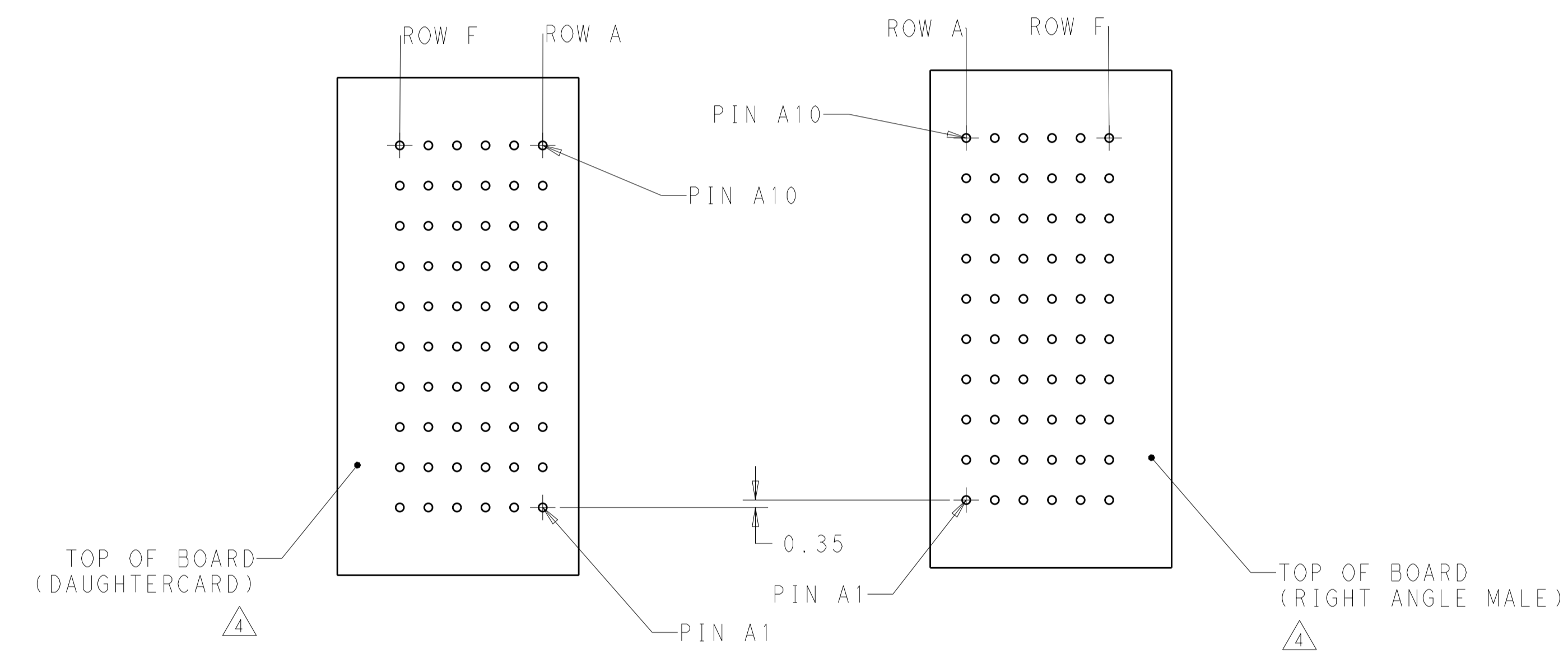
- 1 MATERIAL:
HOUSING: LCP, GLASS FILLED, UL94V-0.
TERMINALS: HIGH PERFORMANCE COPPER ALLOY.
- 2 FINISH:
30µm SELECTIVE GOLD IN CONTACT AREA. SELECTIVE TIN ON PCB TAILS, NICKEL OVERALL.
- 3 FINISH:
30µm SELECTIVE GOLD IN CONTACT AREA. SELECTIVE TIN-LEAD ON PCB TAILS, NICKEL OVERALL.
- 4 UNGUIDED RIGHT ANGLE MALE MATES TO UNGUIDED RIGHT ANGLE RECEPTACLE.



RECOMMENDED PCB LAYOUT

THIS DRAWING IS A CONTROLLED DOCUMENT.		DWN: 06APR2011	
DIMENSIONS: mm		CHK: J. EARY 06APR2011	
TOLERANCES UNLESS OTHERWISE SPECIFIED:		APVD: J. EARY 06APR2011	NAME: IMPACT, STD. RAM, 2 PAIR, 10 COLUMN, UNGUIDED DUAL END WALL SIGNAL MODULE, 0.39 EYELET PRODUCT SPEC: APPLICATION SPEC:
0 PLC ± 1 PLC ±0.25 2 PLC ±0.13 3 PLC ± 4 PLC ± ANGLES ±		SIZE: CAGE CODE: DRAWING NO: WEIGHT: A100779C=2143014 Customer Drawing	
MATERIAL: SEE TABLE		SCALE: 5:1	RESTRICTED TO: REV: B1

REVISIONS				
P.	LTN.	DESCRIPTION	DATE	APVD.
-	-	SEE SHEET 1	-	-



COPLANAR MATED SIGNAL PATHS



△3	5.50	2143014-6
△3	4.90	2143014-5
△2	5.50	2143014-3
△2	4.90	2143014-2
FINISH	DIM M	PART NUMBER

REFER TO WWW.TE.COM FOR PRODUCT AVAILABILITY

THIS DRAWING IS A CONTROLLED DOCUMENT.		DWN - 06APR2011	
DIMENSIONS: mm		CHK J. EARY 06APR2011	
TOLERANCES UNLESS OTHERWISE SPECIFIED:		APVD J. EARY 06APR2011	
0 PLC ± 1 PLC ±0.25 2 PLC ±0.13 3 PLC ± 4 PLC ± ANGLES ± FINISH ±		NAME: IMPACT, STD, RAM, 2 PAIR, 10 COLUMN, UNGUIDED DUAL END WALL SIGNAL MODULE, 0.39 EYELET	
MATERIAL	SEE TABLE	WEIGHT -	RESTRICTED TO
Customer Drawing		SCALE 5:1 SHEET 2 OF 2	REV B1

X-ON Electronics

Largest Supplier of Electrical and Electronic Components

Click to view similar products for [High Speed/Modular Connectors](#) category:

Click to view products by [TE Connectivity](#) manufacturer:

Other Similar products are found below :

[650827-1](#) [74040-1346](#) [1410191-1](#) [1410368-3](#) [1410964-2](#) [1410326-3](#) [1410367-3](#) [1410971-4](#) [1467833-1](#) [2000877-1](#) [2000878-1](#) [2041314-1](#)
[2065387-1](#) [2187307-1](#) [163P](#) [1934290-1](#) [2000875-1](#) [2065917-1](#) [2102736-2](#) [FSR-40](#) [2169868-2](#) [22354-8](#) [437-5040-000](#) [5-1393565-0](#) [039-](#)
[0246-000](#) [0740618502](#) [0761601016](#) [0784461022](#) [10123159-12ELF](#) [030-2415-003/100 PK](#) [030-7380-004](#) [030-2494-001](#) [532939-1](#) [5532901-](#)
[3](#) [3-1469268-7](#) [74748-102LF](#) [10041743-101LF](#) [10066670-100002LF](#) [1-533915-1](#) [249-4515-000](#) [7-1469373-3](#) [DL2-2J/S](#) [2000713-8](#)
[2000713-7](#) [10124313-101LF](#) [3011-21](#) [757105208](#) [430305-001](#) [4395800100](#) [8140115](#)