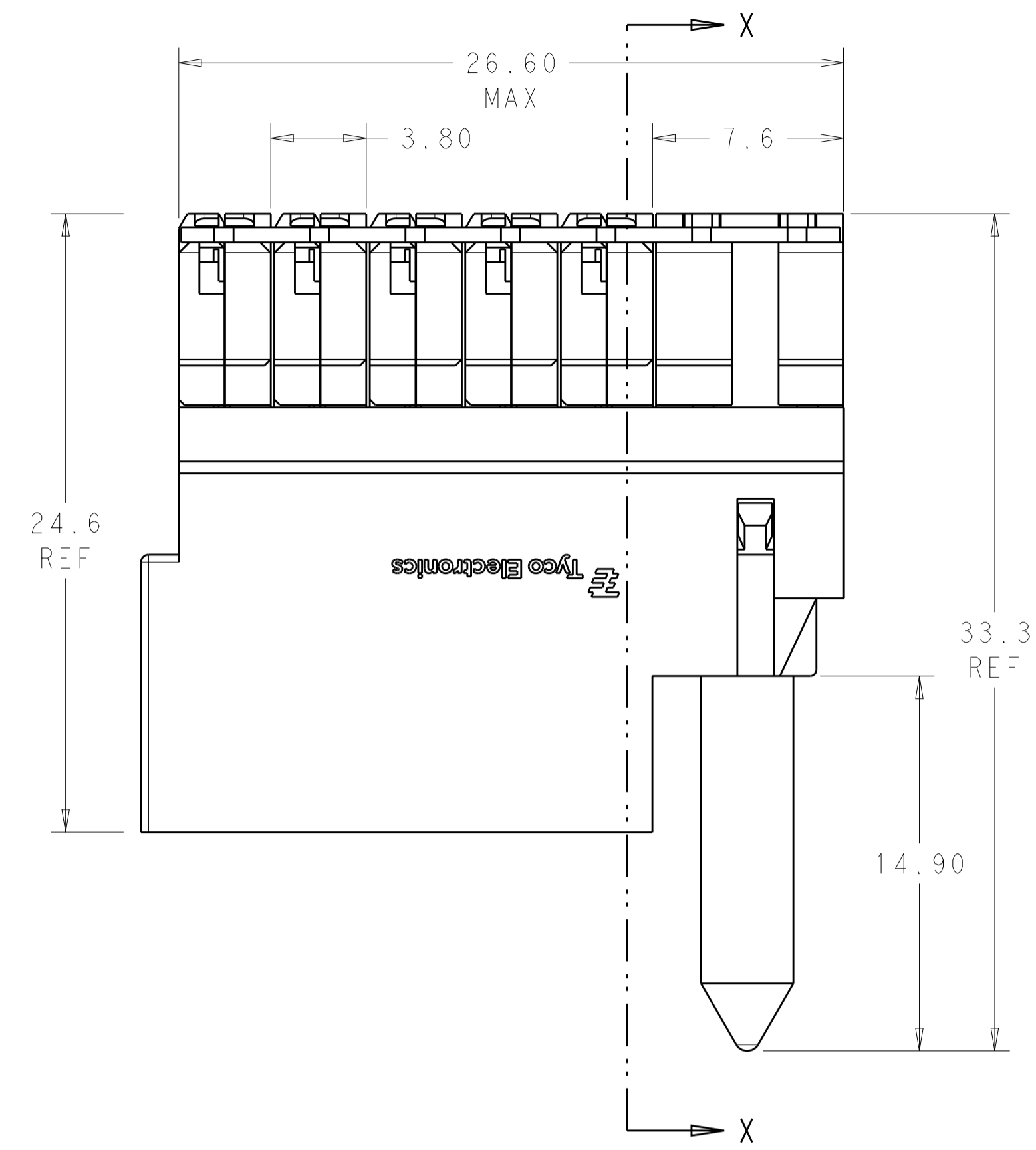
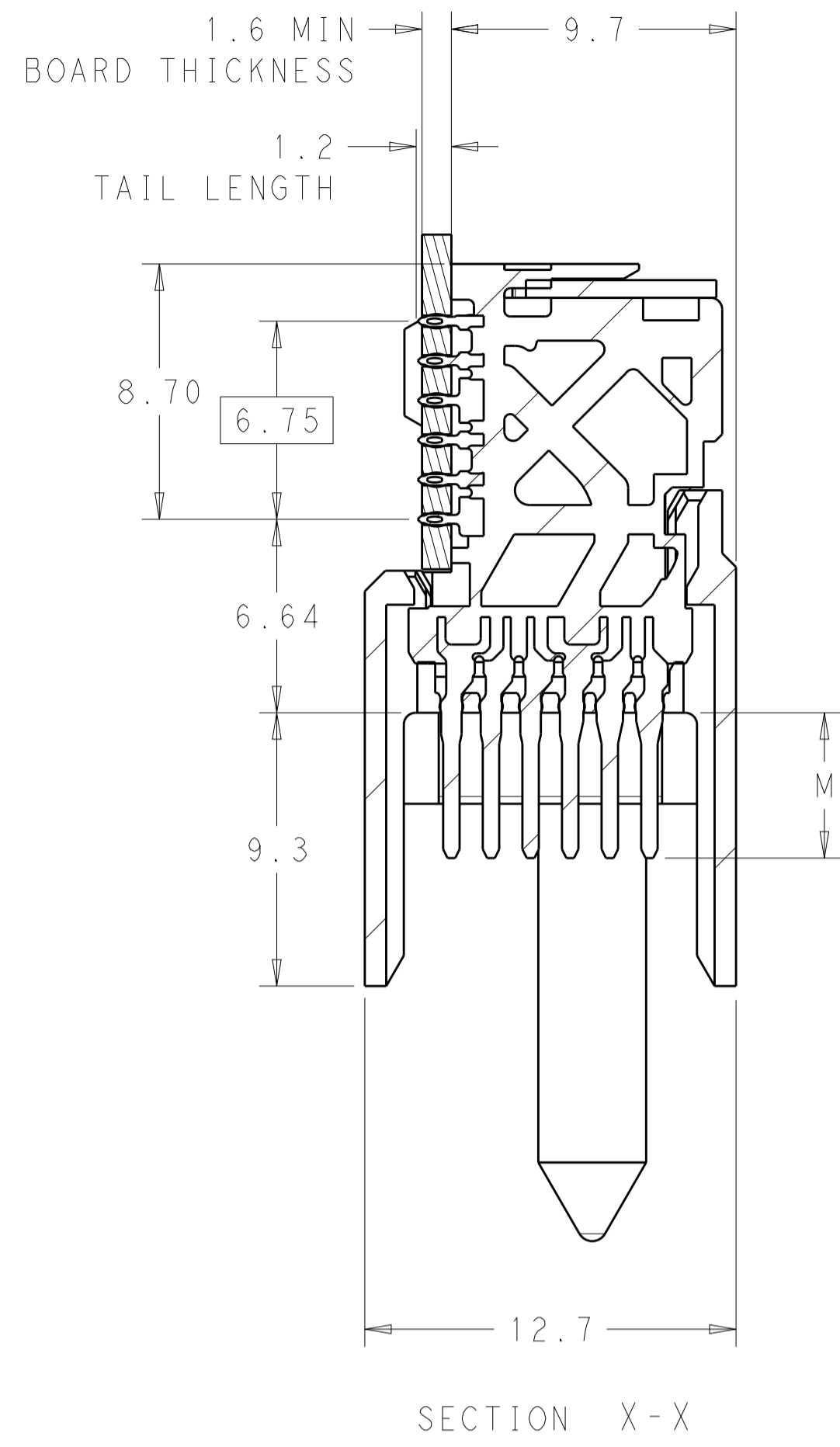
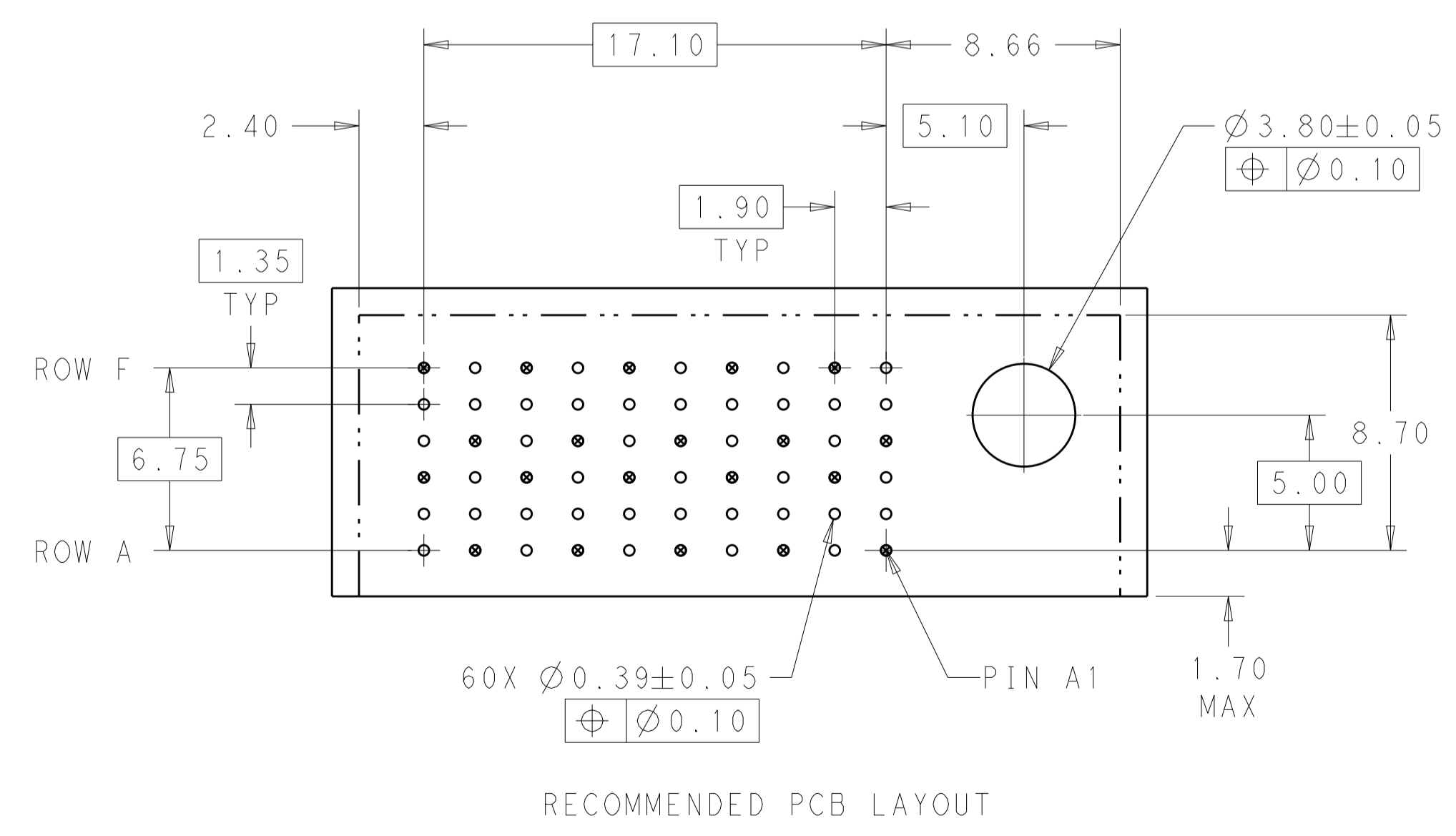
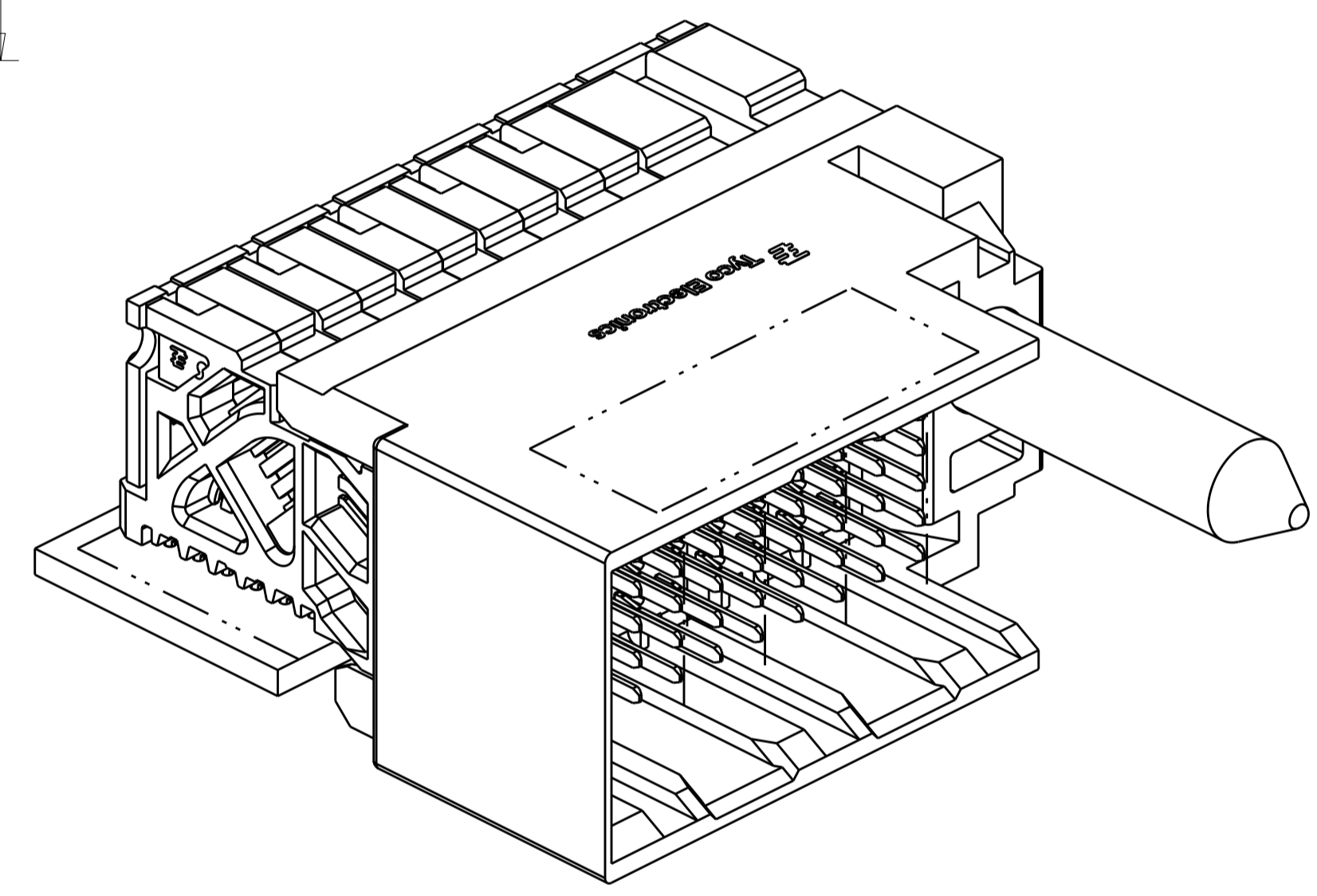
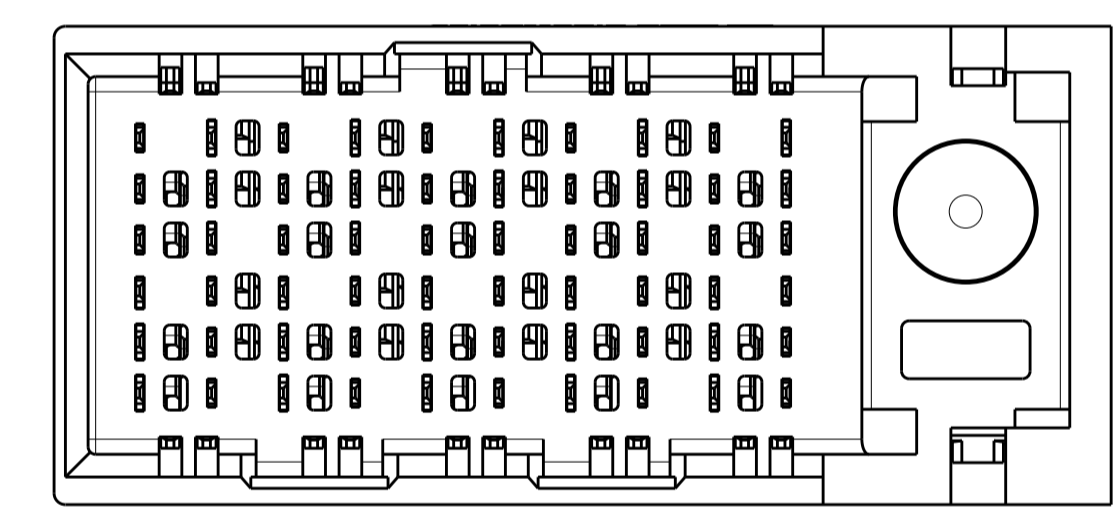


REVISIONS				
P.	LTN	DESCRIPTION	DATE	APVD
B1		REVISED PER ECO-15-003239	24MAR2015	AP DD

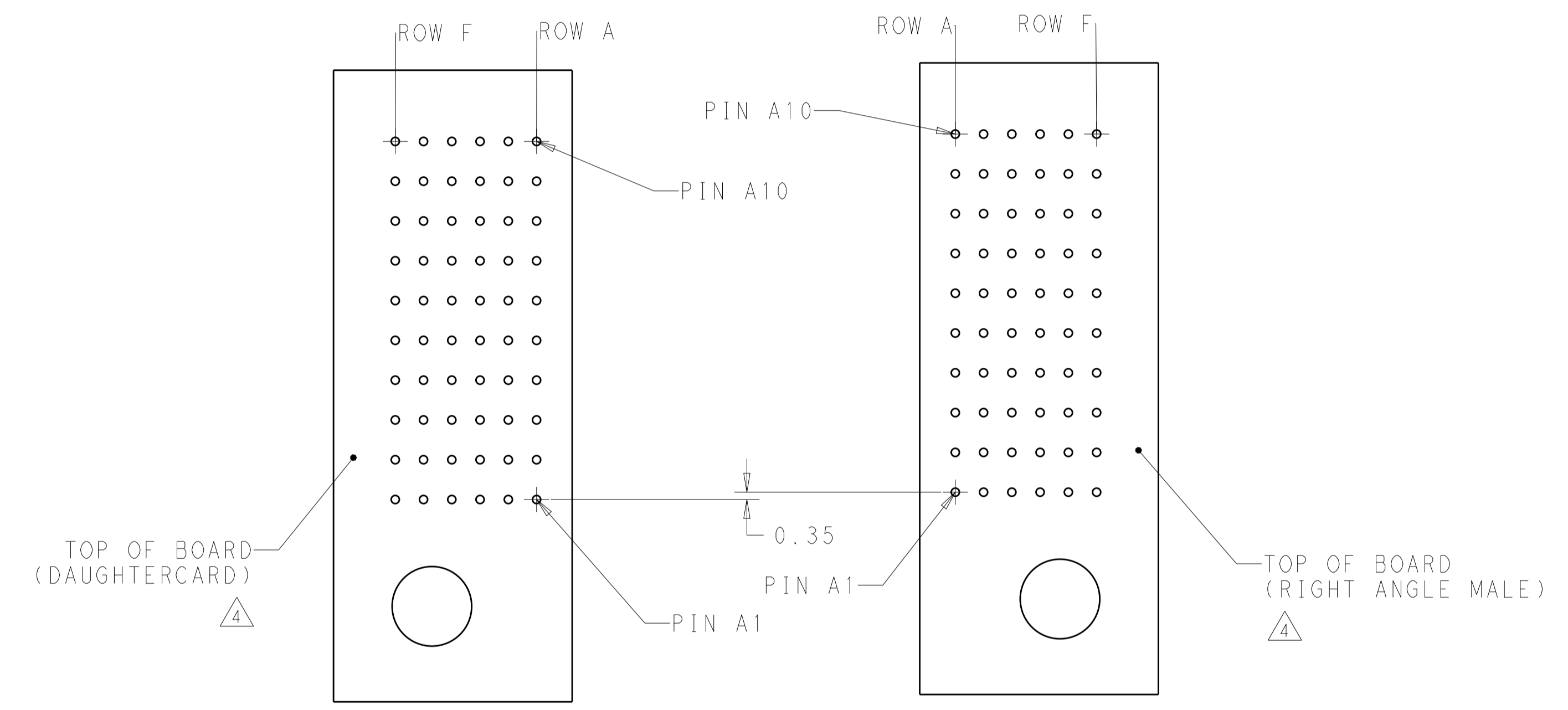


- 1 MATERIAL:  
HOUSING: LCP, GLASS FILLED, UL94V-0.  
TERMINALS: HIGH PERFORMANCE COPPER ALLOY.
- 2 FINISH:  
30µm SELECTIVE GOLD IN CONTACT AREA. SELECTIVE TIN ON PCB TAILS, NICKEL OVERALL.
- 3 FINISH:  
30µm SELECTIVE GOLD IN CONTACT AREA. SELECTIVE TIN-LEAD ON PCB TAILS, NICKEL OVERALL.
- 4 RIGHT GUIDED RIGHT ANGLE MALE MATES TO LEFT GUIDED RIGHT ANGLE RECEPTACLE.
- 5. CONNECTOR SUPPLIED WITH MOUNTING SCREW.



THIS DRAWING IS A CONTROLLED DOCUMENT.		DWN: 07APR2011	TE Connectivity
DIMENSIONS: mm		CHK: J. EARY 07APR2011	
TOLERANCES UNLESS OTHERWISE SPECIFIED:		APVD: J. EARY 07APR2011	NAME: IMPACT, STD. RAM, 2 PAIR, 10 COLUMN, RIGHT GUIDED LEFT END WALL SIGNAL MODULE, 0.39 EYELET
0 PLC ± 1 PLC ±0.25 2 PLC ±0.13 3 PLC ± 4 PLC ± ANGLES ±	SEE TABLE	PRODUCT SPEC APPLICATION SPEC SIZE: CAGE CODE DRAWING NO: A100779C=2143019 WEIGHT: - Customer Drawing	RESTRICTED TO: -
MATERIAL: SEE TABLE		SCALE: 5:1	SHEET 1 OF 2 REV: B1

REVISIONS				
P.	LTN	DESCRIPTION	DATE	OWN APVD
-	-	SEE SHEET 1	-	-



COPLANAR MATED SIGNAL PATHS



3	5.50	2143019-6
3	4.90	2143019-5
2	5.50	2143019-3
2	4.90	2143019-2
FINISH	DIM M	PART NUMBER

REFER TO WWW.TE.COM FOR PRODUCT AVAILABILITY

THIS DRAWING IS A CONTROLLED DOCUMENT.		DWN - 07APR2011	<b>STE</b> TE Connectivity
DIMENSIONS: mm		CHK J. EABY 07APR2011	
TOLERANCES UNLESS OTHERWISE SPECIFIED:		APVD J. EABY 07APR2011	NAME: IMPACT, STD, RAM, 2 PAIR, 10 COLUMN, RIGHT GUIDED LEFT END WALL SIGNAL MODULE, 0.39 EYELET
0 PLC ±		PRODUCT SPEC	APPLICATION SPEC
1 PLC ±0.25		SIZE	CAGE CODE
2 PLC ±0.13		WEIGHT	DRAWING NO
3 PLC ±		RESTRICTED TO	
4 PLC ±		A100779C=2143019	
ANGLES		Customer Drawing	SCALE 5:1 SHEET 2 OF 2 REV B1

## X-ON Electronics

Largest Supplier of Electrical and Electronic Components

*Click to view similar products for [High Speed/Modular Connectors](#) category:*

*Click to view products by [TE Connectivity](#) manufacturer:*

Other Similar products are found below :

[650827-1](#) [74040-1346](#) [1410191-1](#) [1410368-3](#) [1410964-2](#) [1410326-3](#) [1410367-3](#) [1410971-4](#) [1467833-1](#) [2000877-1](#) [2000878-1](#) [2041314-1](#)  
[2065387-1](#) [2187307-1](#) [163P](#) [1934290-1](#) [2000875-1](#) [2065917-1](#) [2102736-2](#) [FSR-40](#) [2169868-2](#) [22354-8](#) [437-5040-000](#) [5-1393565-0](#) [039-](#)  
[0246-000](#) [0740618502](#) [0761601016](#) [0784461022](#) [10123159-12ELF](#) [030-2415-003/100 PK](#) [030-7380-004](#) [030-2494-001](#) [532939-1](#) [5532901-](#)  
[3](#) [3-1469268-7](#) [74748-102LF](#) [10041743-101LF](#) [10066670-100002LF](#) [1-533915-1](#) [249-4515-000](#) [7-1469373-3](#) [DL2-2J/S](#) [2000713-8](#)  
[2000713-7](#) [10124313-101LF](#) [3011-21](#) [757105208](#) [430305-001](#) [4395800100](#) [8140115](#)