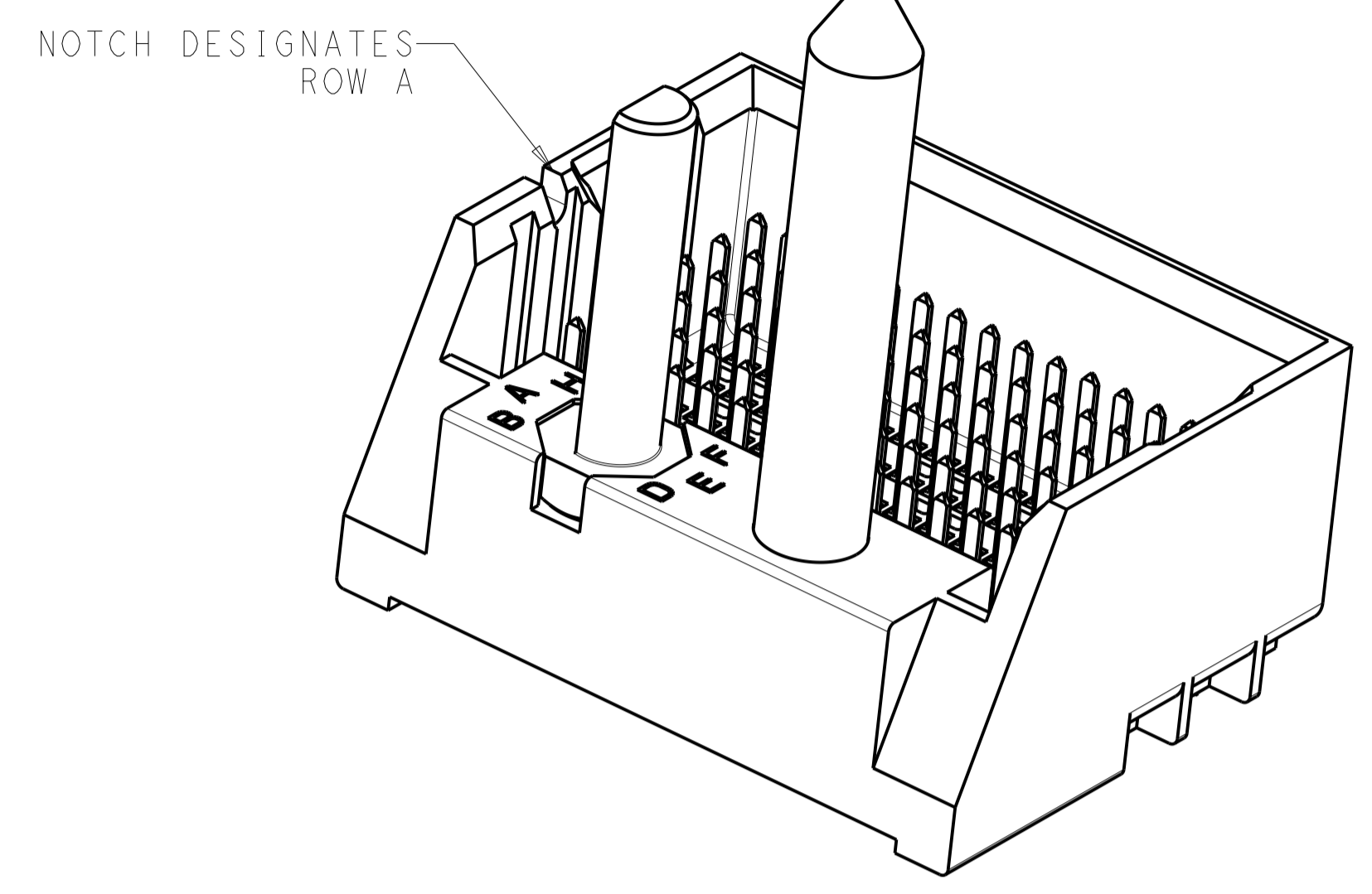
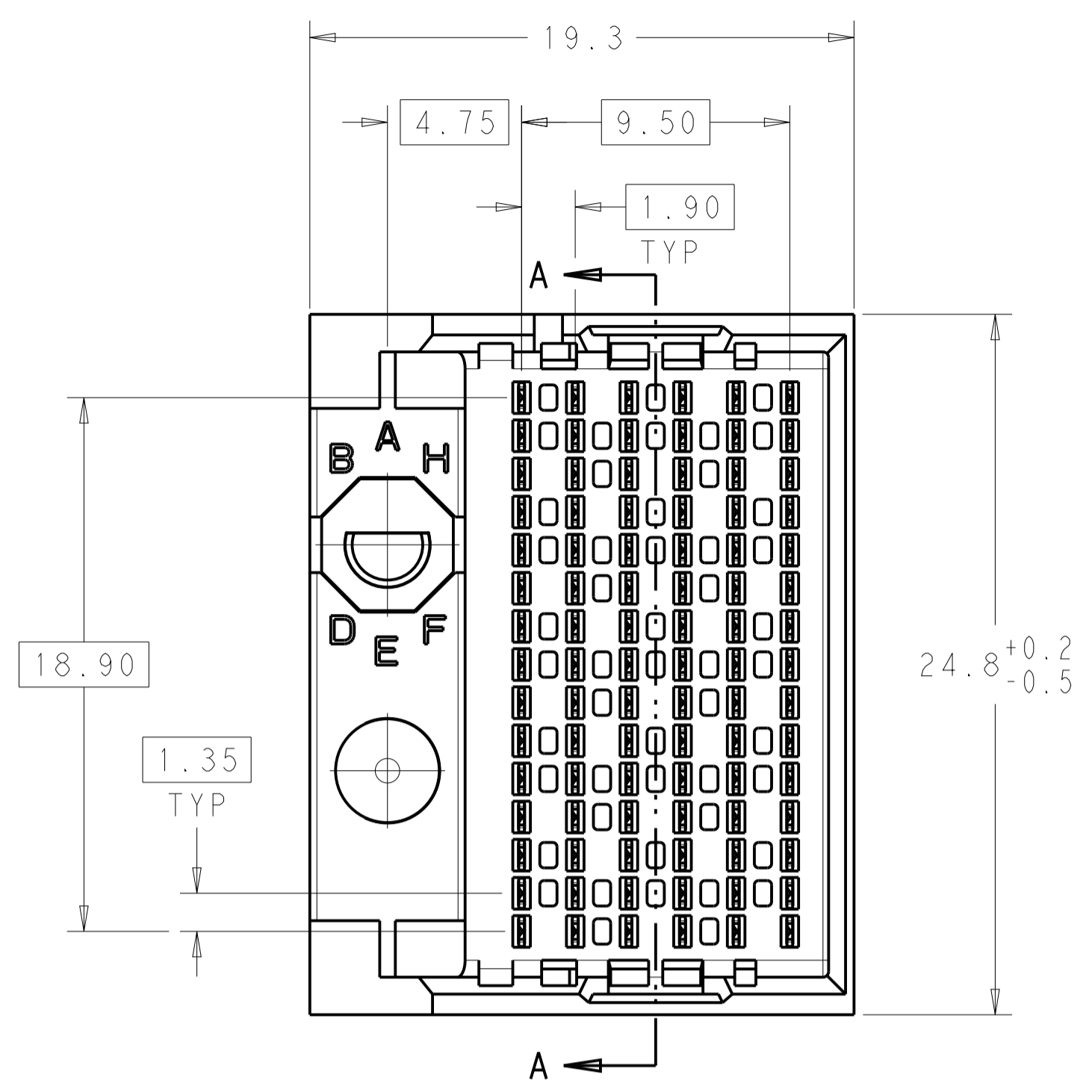
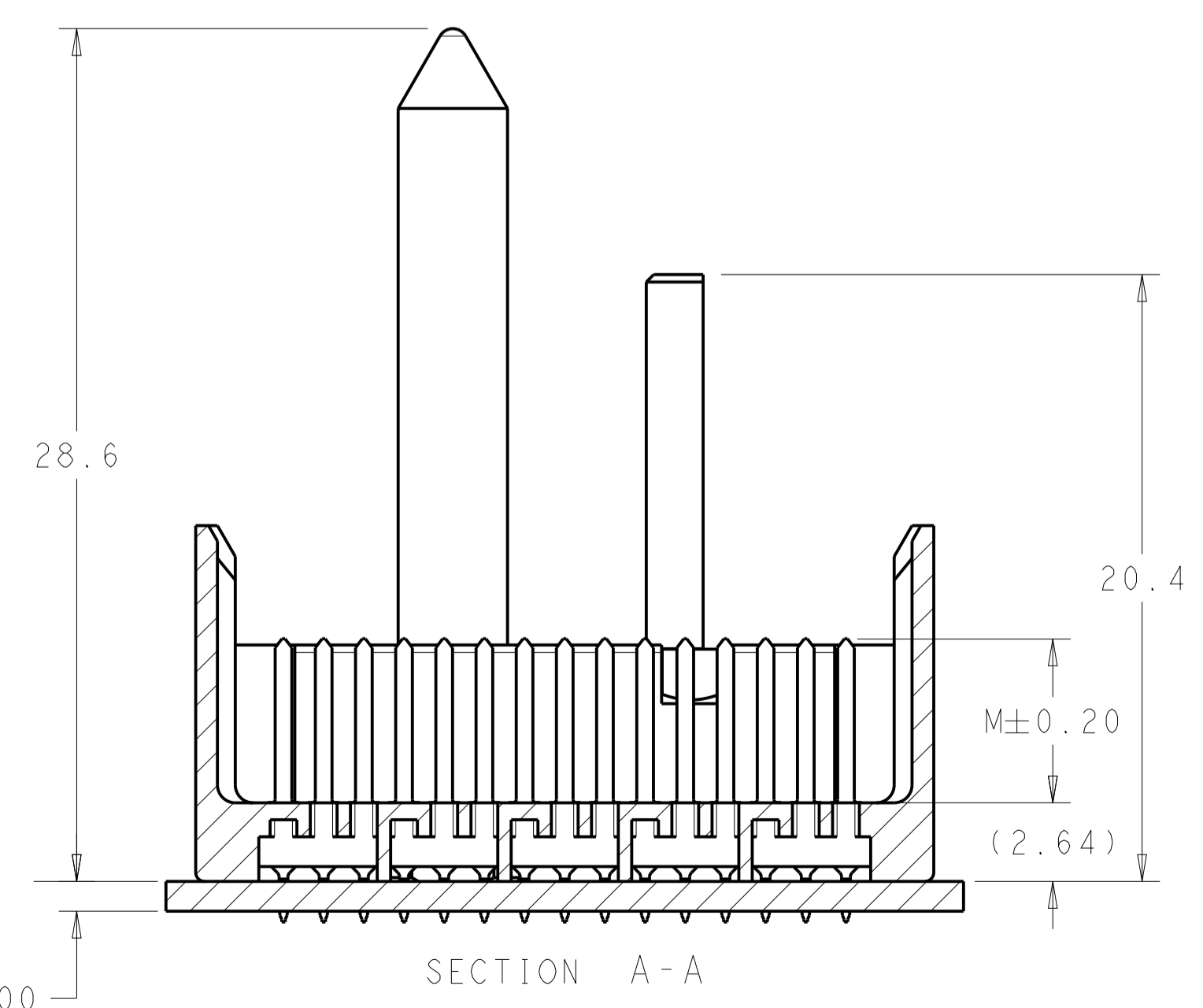
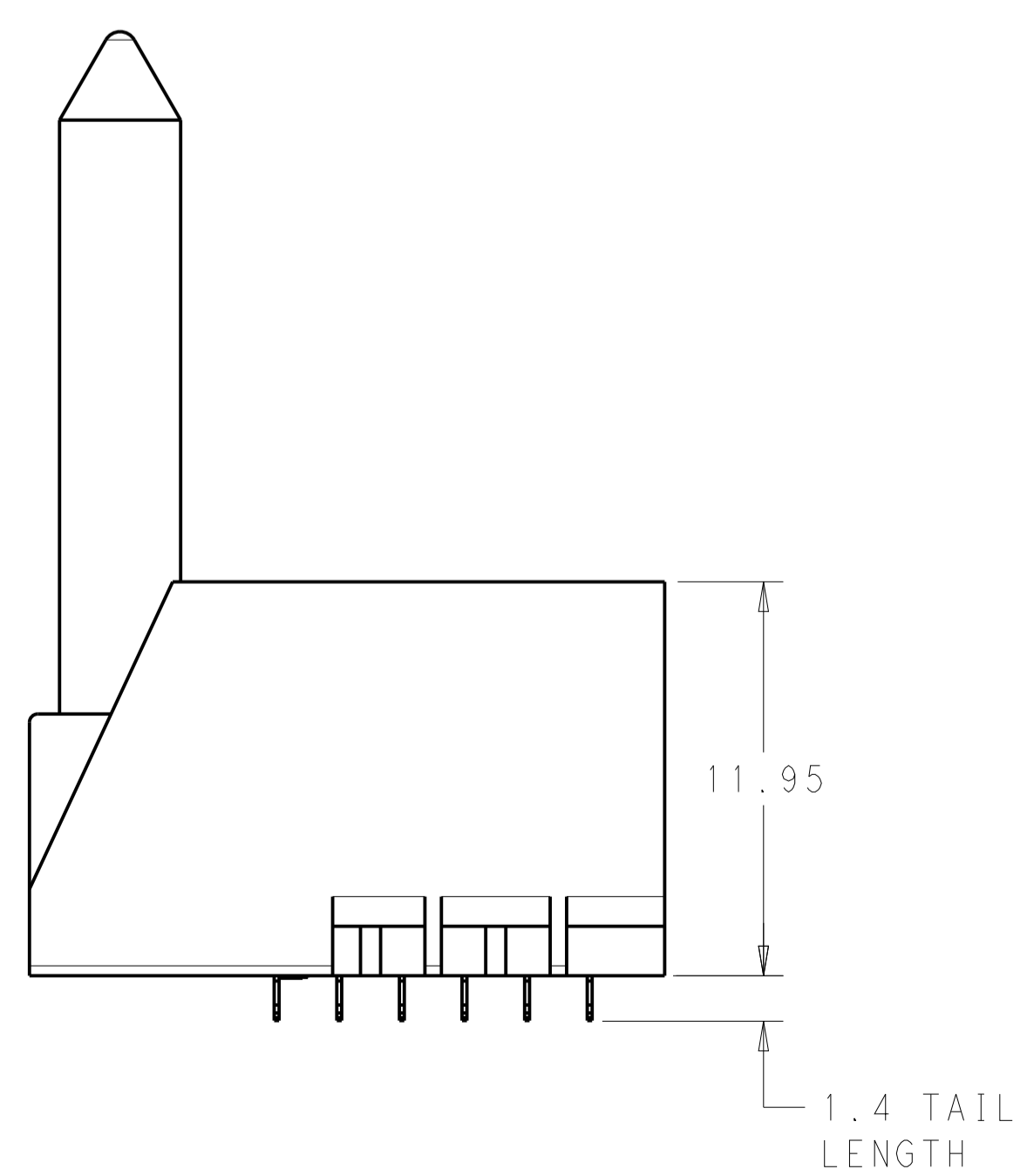
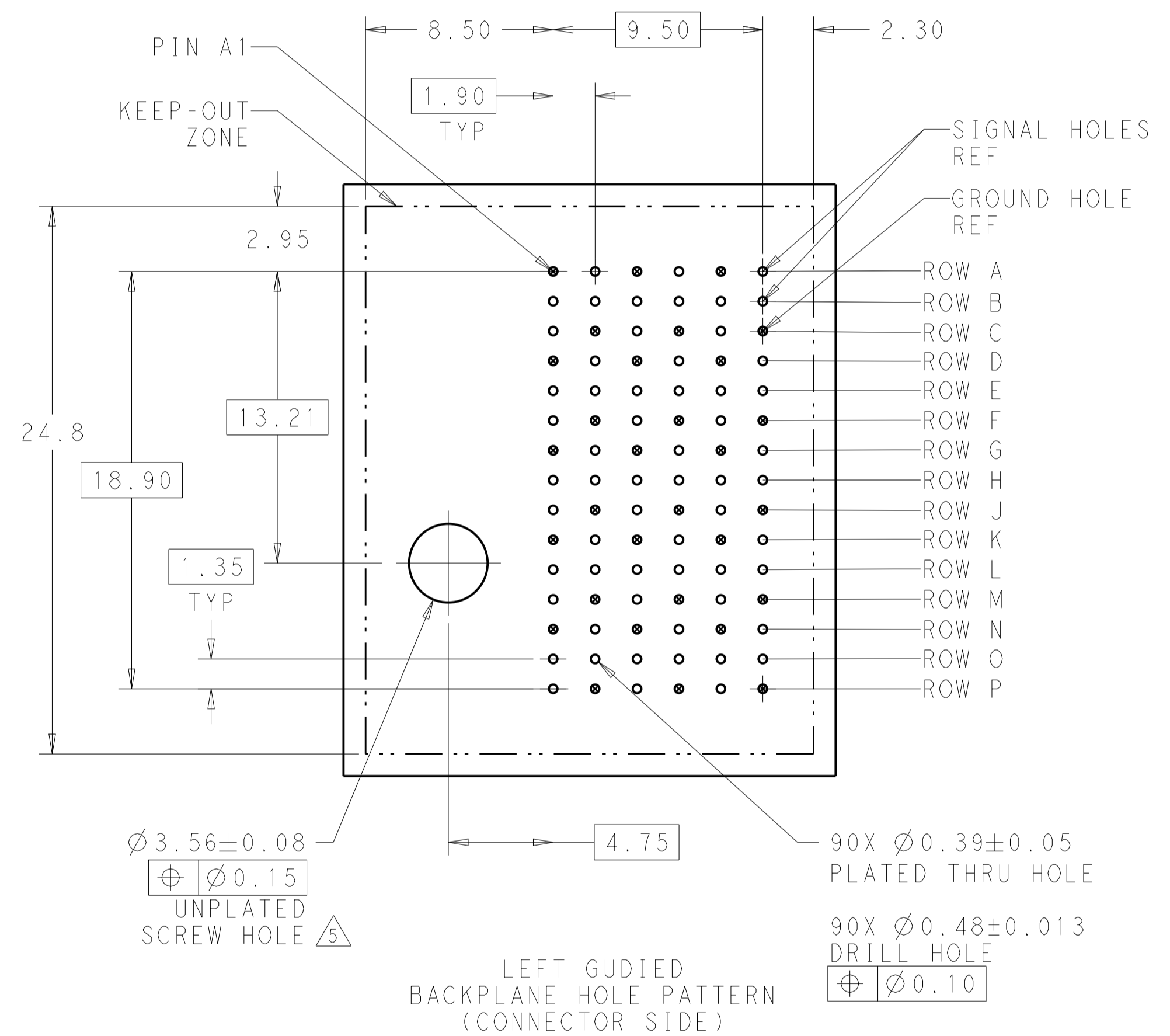


REVISIONS				
P.	LTN	DESCRIPTION	DATE	APVD
B		REVISED PER ECO-14-000933	30JAN2014	AP DD



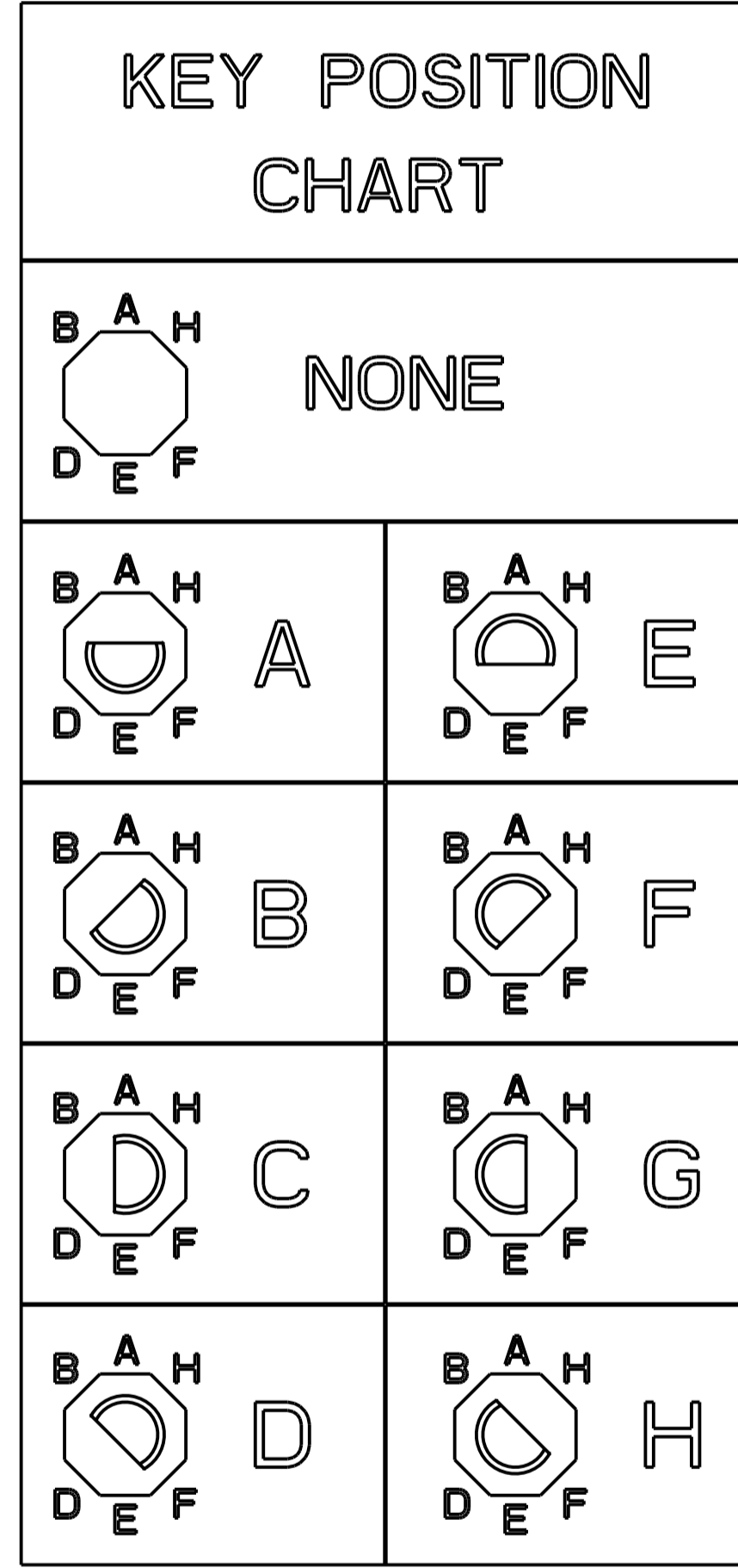
- ⚠ MATERIAL:
HOUSING: LCP, GLASS FILLED, UL94V-0.
TERMINALS: HIGH PERFORMANCE COPPER ALLOY.
- ⚠ FINISH:
30μ" MIN GOLD IN CONTACT AREA. SELECTIVE TIN ON PCB TAILS, NICKEL OVERALL.
- ⚠ FINISH:
30μ" MIN GOLD IN CONTACT AREA. SELECTIVE TIN-LEAD ON PCB TAILS, NICKEL OVERALL.
- 4. SCREWS PACKAGED IN END OF PACKAGING TUBE.
- ⚠ FOR GROUNDED GUIDE PIN USE $\varnothing 3.56 \pm 0.08$ PTH, $\varnothing 3.66$ DRILL, AND $\varnothing 6.5$ PAD.
- 6. KEYING PIN SHOWN IN POSITION A, SEE KEYING CHART ON SHEET 2 FOR OTHER POSITIONS.



THIS DRAWING IS A CONTROLLED DOCUMENT.		OWN: R. COELLO 02JUN2011	STE TE Connectivity
DIMENSIONS: mm		CHK: J. EARY 02JUN2011	
TOLERANCES UNLESS OTHERWISE SPECIFIED:		APVD: J. EARY 02JUN2011	NAME: IMPACT, 5 PAIR, 6 COLUMN, HEADER LEFT GUIDED, RIGHT END WALL SIGNAL MODULE, 0.39 PTH
0 PLC ±0.25		PRODUCT SPEC	SIZE: A1
1 PLC ±0.13		APPLICATION SPEC	CAGE CODE: 2143138
2 PLC ±0.13		WEIGHT	RESTRICTED TO
3 PLC ±0.13		CUSTOMER DRAWING	SCALE: 5:1 SHEET 1 OF 2 REV B
4 PLC ±0.13			
ANGLES ±0.13			
FINISH SEE TABLE			

REVISIONS				
P.	LTN	DESCRIPTION	DATE	APVD
-	-	SEE SHEET 1	-	-

3	H	5.5	8-2143138-6
3	H	4.9	8-2143138-5
3	H	4.5	8-2143138-4
2	H	5.5	8-2143138-3
2	H	4.9	8-2143138-2
2	H	4.5	8-2143138-1
3	G	5.5	7-2143138-6
3	G	4.9	7-2143138-5
3	G	4.5	7-2143138-4
2	G	5.5	7-2143138-3
2	G	4.9	7-2143138-2
2	G	4.5	7-2143138-1
3	F	5.5	6-2143138-6
3	F	4.9	6-2143138-5
3	F	4.5	6-2143138-4
2	F	5.5	6-2143138-3
2	F	4.9	6-2143138-2
2	F	4.5	6-2143138-1
3	E	5.5	5-2143138-6
3	E	4.9	5-2143138-5
3	E	4.5	5-2143138-4
2	E	5.5	5-2143138-3
2	E	4.9	5-2143138-2
2	E	4.5	5-2143138-1
3	D	5.5	4-2143138-6
3	D	4.9	4-2143138-5
3	D	4.5	4-2143138-4
2	D	5.5	4-2143138-3
2	D	4.9	4-2143138-2
2	D	4.5	4-2143138-1
3	C	5.5	3-2143138-6
3	C	4.9	3-2143138-5
3	C	4.5	3-2143138-4
2	C	5.5	3-2143138-3
2	C	4.9	3-2143138-2
2	C	4.5	3-2143138-1
3	B	5.5	2-2143138-6
3	B	4.9	2-2143138-5
3	B	4.5	2-2143138-4
2	B	5.5	2-2143138-3
2	B	4.9	2-2143138-2
2	B	4.5	2-2143138-1
3	A	5.5	1-2143138-6
3	A	4.9	1-2143138-5
3	A	4.5	1-2143138-4
2	A	5.5	1-2143138-3
2	A	4.9	1-2143138-2
2	A	4.5	1-2143138-1
3	-	5.5	2143138-6
3	-	4.9	2143138-5
3	-	4.5	2143138-4
2	-	5.5	2143138-3
2	-	4.9	2143138-2
2	-	4.5	2143138-1
FINISH	KEY POSITION	DIM M	PART NUMBER



REFER TO WWW.TE.COM
FOR PRODUCT AVAILABILITY

THIS DRAWING IS A CONTROLLED DOCUMENT.		OWN: R. COELLO 02JUN2011	TE Connectivity
DIMENSIONS: mm		CHK: J. EARY 02JUN2011	
		APVD: J. EARY 02JUN2011	
TOLERANCES UNLESS OTHERWISE SPECIFIED:		PRODUCT SPEC	NAME: IMPACT, 5 PAIR, 6 COLUMN, HEADER LEFT GUIDED, RIGHT END WALL SIGNAL MODULE, 0.39 PTH
0 PLC ±0.25		APPLICATION SPEC	SIZE: CAGE CODE DRAWING NO. RESTRICTED TO
1 PLC ±0.13		WEIGHT	A100779C=2143138
2 PLC ±		CUSTOMER DRAWING	SCALE: 5:1 SHEET 2 OF 2 REV B
3 PLC ±			
4 PLC ±			
ANGLES			
FINISH			
SEE TABLE			

X-ON Electronics

Largest Supplier of Electrical and Electronic Components

Click to view similar products for [High Speed/Modular Connectors](#) category:

Click to view products by [TE Connectivity](#) manufacturer:

Other Similar products are found below :

[650827-1](#) [74040-1346](#) [1410191-1](#) [1410368-3](#) [1410964-2](#) [1410326-3](#) [1410367-3](#) [1410971-4](#) [1467833-1](#) [2000877-1](#) [2000878-1](#) [2041314-1](#)
[2065387-1](#) [2187307-1](#) [163P](#) [1934290-1](#) [2000875-1](#) [2065917-1](#) [2102736-2](#) [FSR-40](#) [2169868-2](#) [22354-8](#) [437-5040-000](#) [5-1393565-0](#) [039-](#)
[0246-000](#) [0761601016](#) [0784461022](#) [10123159-12ELF](#) [030-2415-003/100 PK](#) [030-7380-004](#) [030-2494-001](#) [532939-1](#) [5532901-3](#) [3-1469268-](#)
[7](#) [74748-102LF](#) [10041743-101LF](#) [10066670-100002LF](#) [1-533915-1](#) [249-4515-000](#) [7-1469373-3](#) [DL2-2J/S](#) [2000713-8](#) [2000713-7](#)
[10124313-101LF](#) [3011-21](#) [757105208](#) [EBTF-4-10-2.0-S-RA-1](#) [430305-001](#) [4395800100](#) [8140115](#)