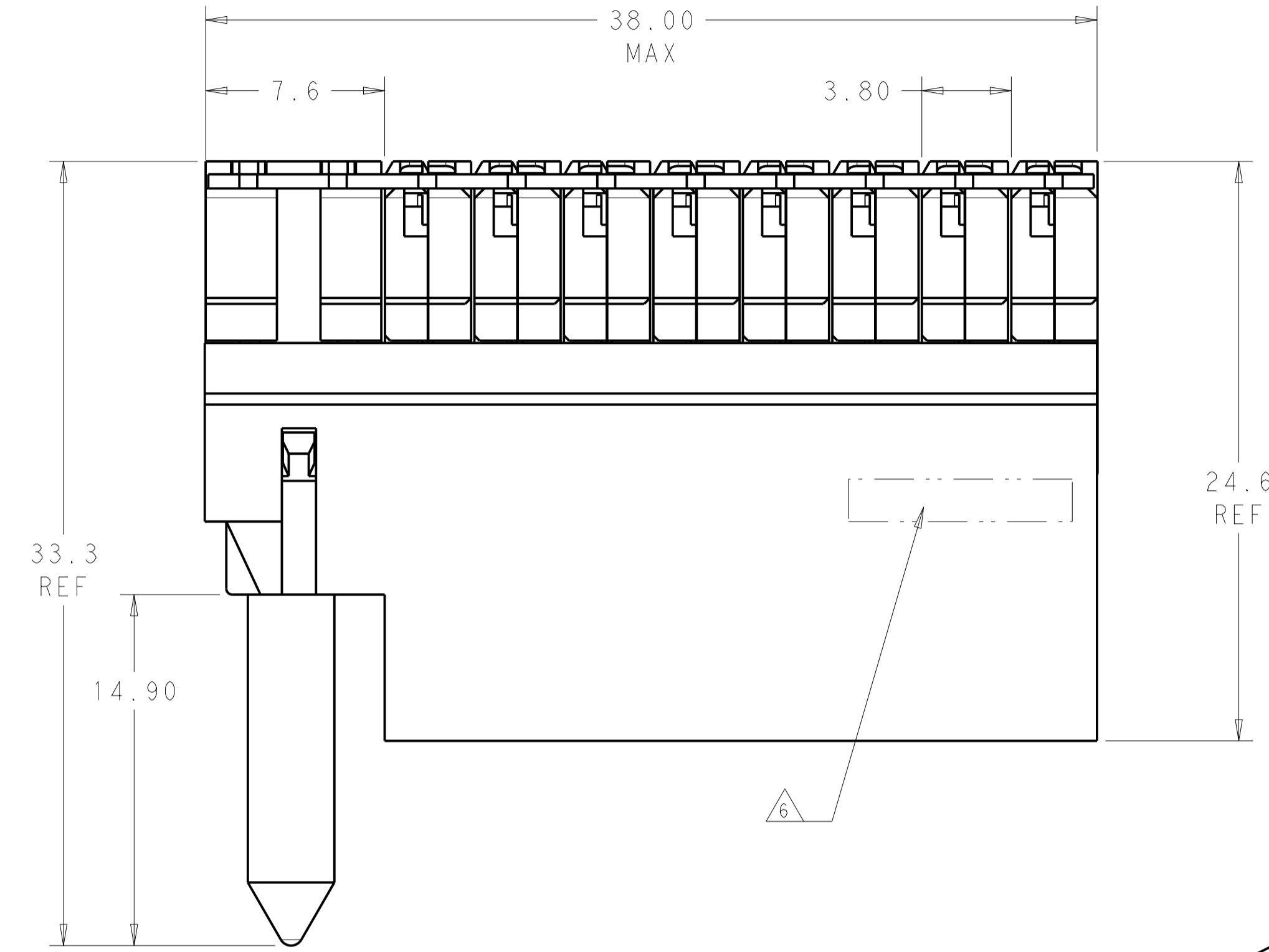
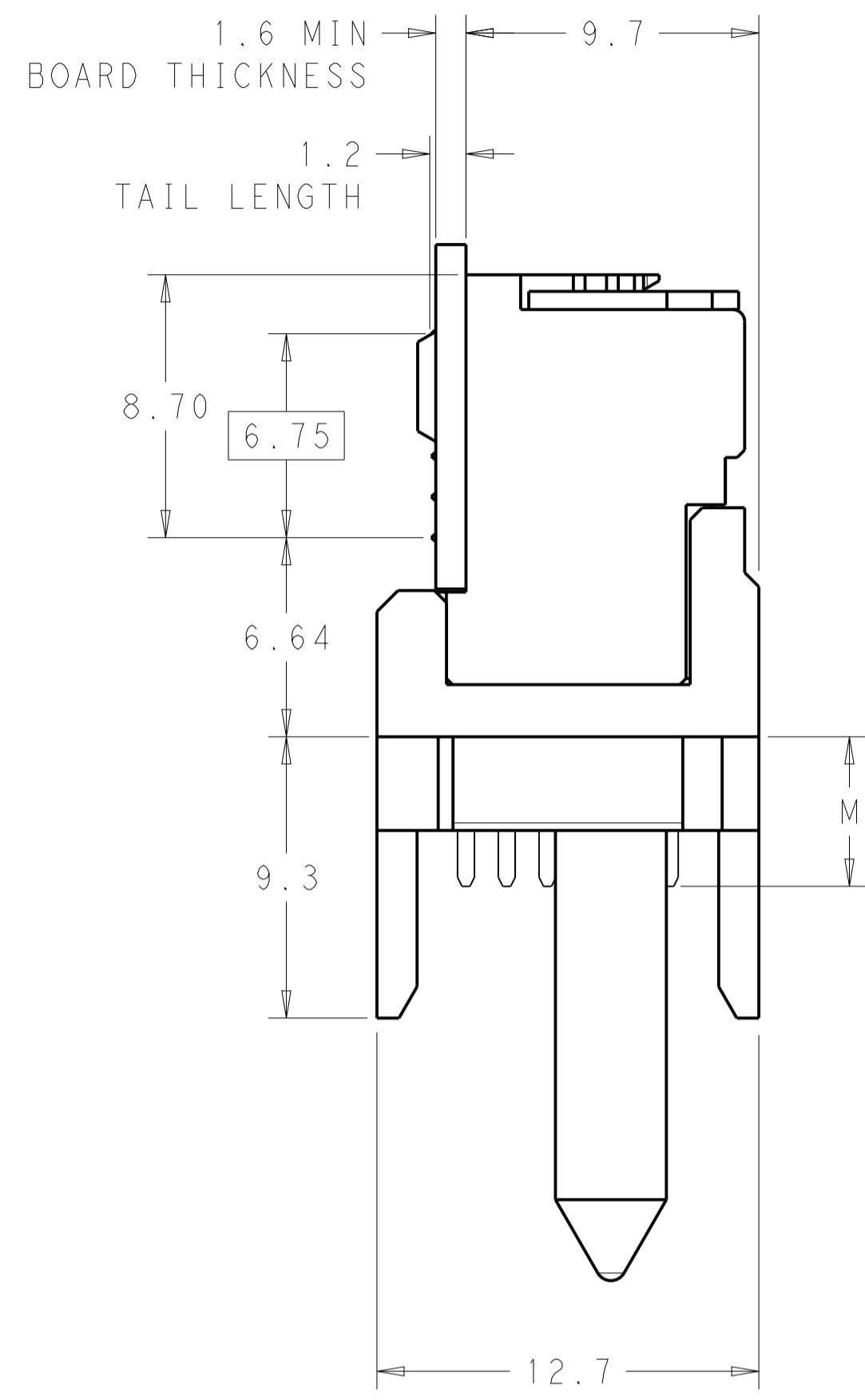
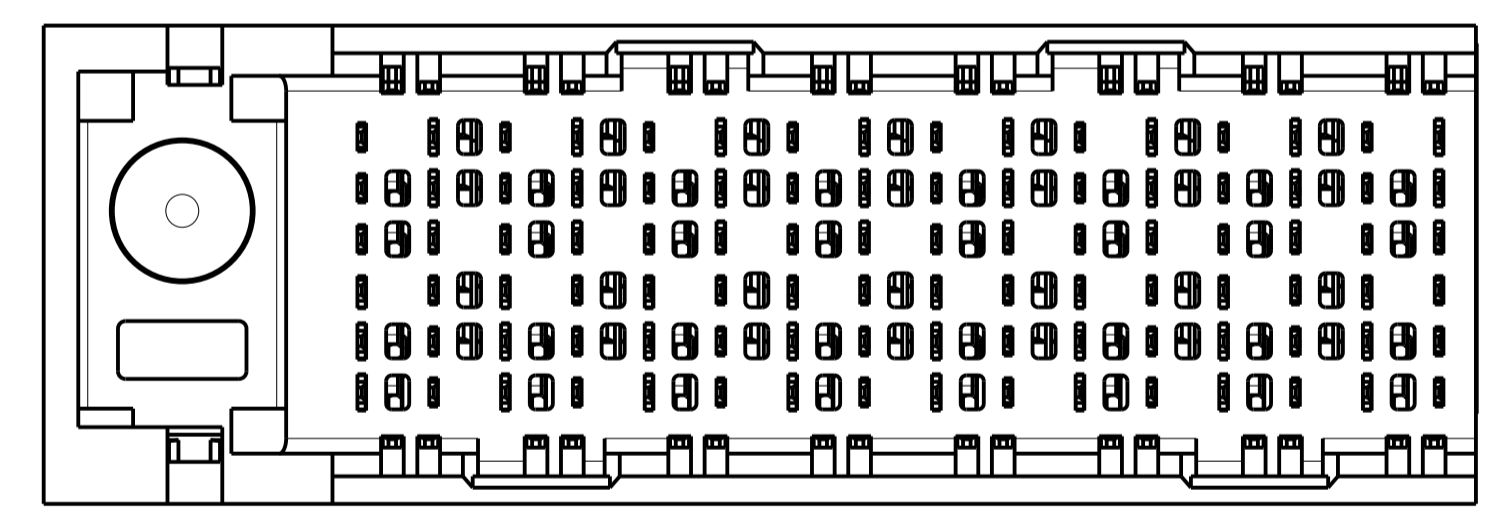
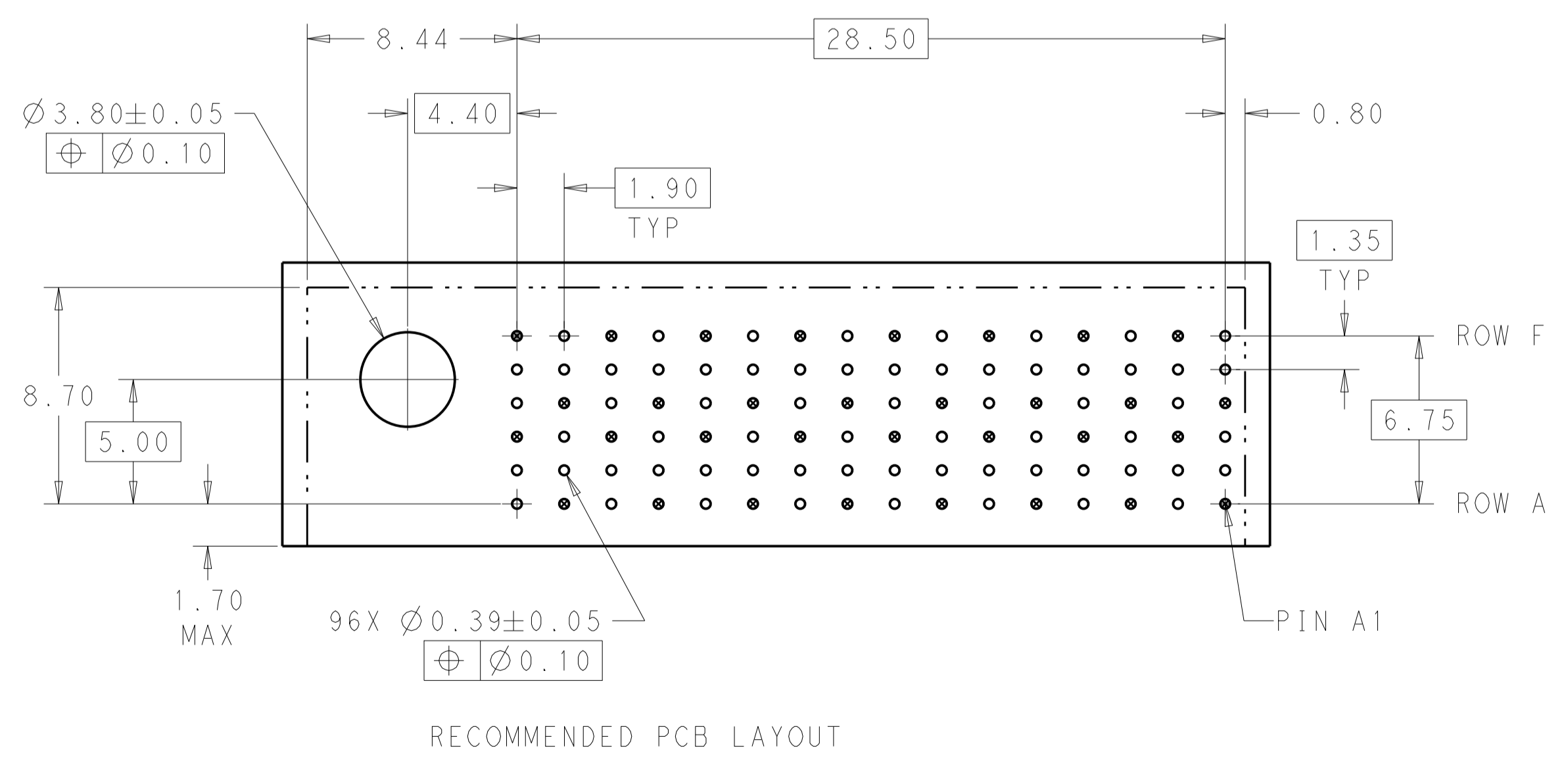
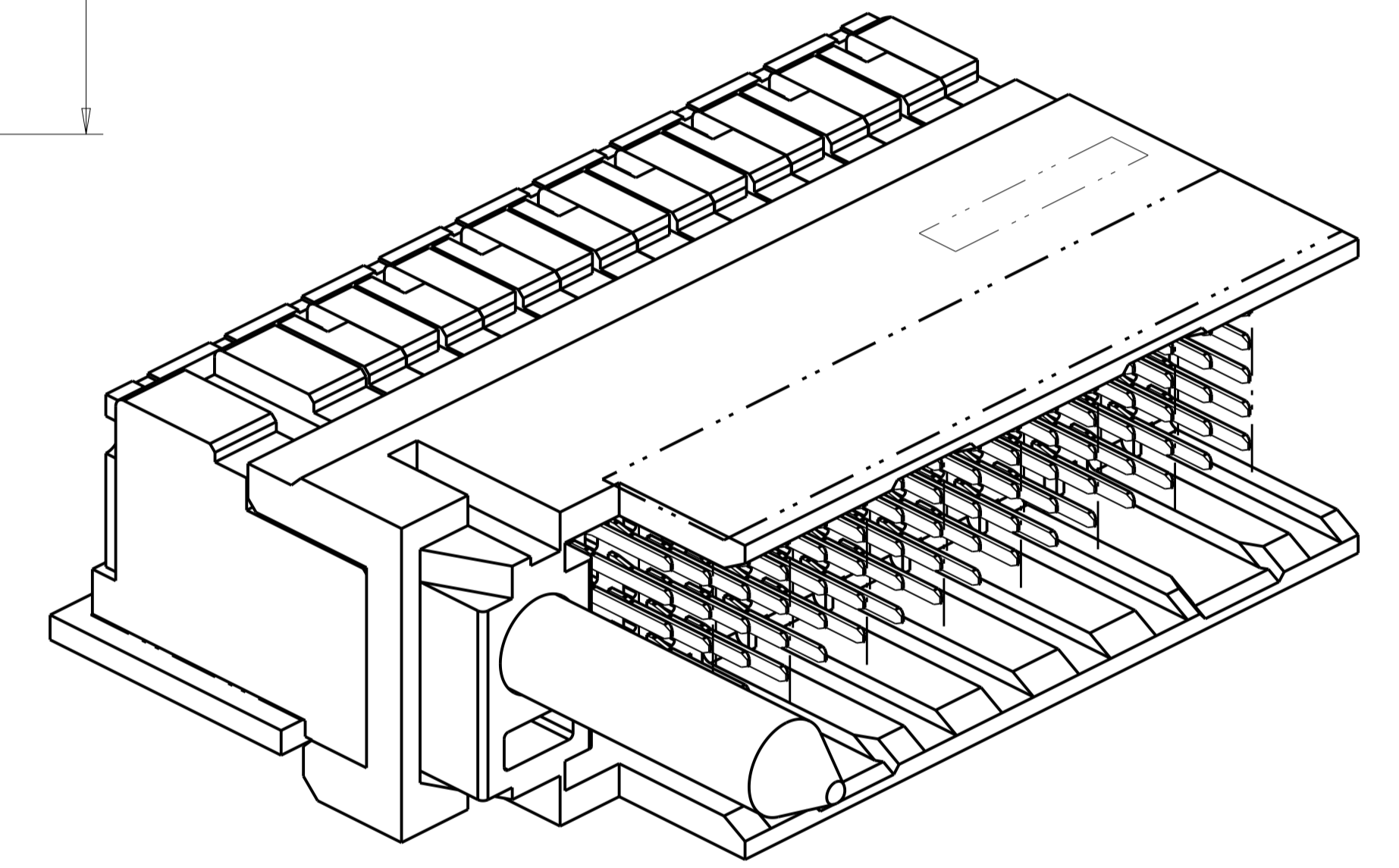


LOC		DIST		REVISIONS			
AD	00	P	LTN	DESCRIPTION	DATE	DWN	APVD
		C		REVISED PER ECO-14-005775	22APR2014	AP	DD

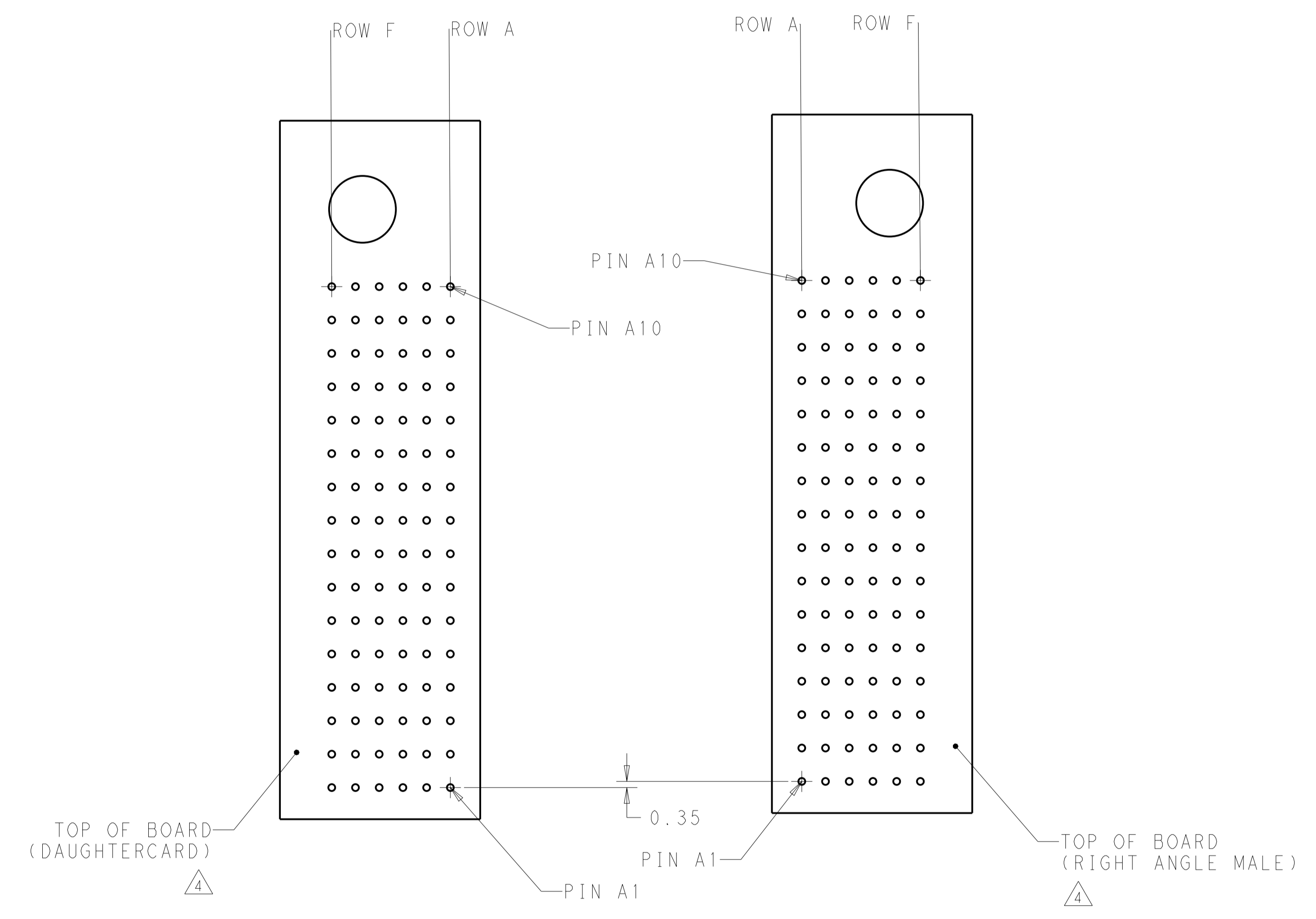


- △ MATERIAL:
HOUSING: LCP, GLASS FILLED, UL94V-0.
TERMINALS: HIGH PERFORMANCE COPPER ALLOY.
- △ FINISH:
30µm SELECTIVE GOLD IN CONTACT AREA. SELECTIVE TIN ON PCB TAILS, NICKEL OVERALL.
- △ FINISH:
30µm SELECTIVE GOLD IN CONTACT AREA. SELECTIVE TIN-LEAD ON PCB TAILS, NICKEL OVERALL.
- △ LEFT GUIDED RIGHT ANGLE MALE MATES TO RIGHT GUIDED RIGHT ANGLE RECEPTACLE.
- 5. CONNECTOR SUPPLIED WITH MOUNTING SCREW.
- △ TE LOGO LOCATED IN APPROXIMATE LOCATION.

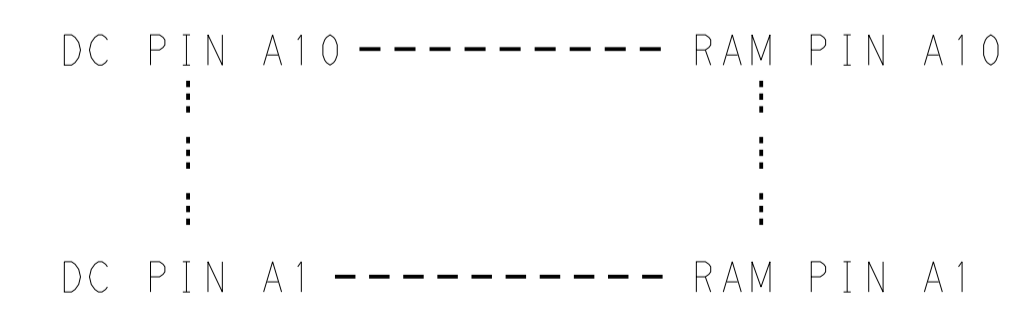


THIS DRAWING IS A CONTROLLED DOCUMENT.		DWN	07APR2011	STE TE Connectivity
DIMENSIONS:		CHK	J. EARY 07APR2011	
mm	TOLERANCES UNLESS OTHERWISE SPECIFIED:	APVD	J. EARY 07APR2011	NAME IMPACT, STD. RAM, 2 PAIR, 16 COLUMN, LEFT GUIDED OPEN END WALL SIGNAL MODULE, 0.39 EYELET
Ø	0 PLC ±	PRODUCT SPEC		
	1 PLC ±0.25	APPLICATION SPEC		SIZE CAGE CODE DRAWING NO
	2 PLC ±0.13	WEIGHT		A100779C=2143313
	3 PLC ±	CUSTOMER DRAWING		SCALE 5:1 SHEET 1 OF 2 REV C
	4 PLC ±			
	ANGLES ±			
MATERIAL	FINISH SEE TABLE			

LOC		DIST		REVISIONS			
AD	00	REV	DATE	DESCRIPTION	DATE	DWN	APVD
		-	-	SEE SHEET 1	-	-	-



COPLANAR MATED SIGNAL PATHS



△3	5.50	2143313-6
△3	4.90	2143313-5
△2	5.50	2143313-3
△2	4.90	2143313-2
FINISH	DIM M	PART NUMBER

REFER TO WWW.TE.COM FOR PRODUCT AVAILABILITY

THIS DRAWING IS A CONTROLLED DOCUMENT.		DWN	07APR2011	TE TE Connectivity
DIMENSIONS:		CHK	07APR2011	
mm		APVD	07APR2011	
TOLERANCES UNLESS OTHERWISE SPECIFIED:		NAME		
0 PLC	±	IMPACT, STD. RAM, 2 PAIR, 16 COLUMN, LEFT GUIDED OPEN END WALL SIGNAL MODULE, 0.39 EYELET		
1 PLC	±0.25	PRODUCT SPEC		
2 PLC	±0.13	APPLICATION SPEC		
3 PLC	±	WEIGHT		
4 PLC	±	MATERIAL		
ANGLES	±	FINISH		
SEE TABLE		CUSTOMER DRAWING		
SCALE		5:1		
SHEET		2 OF 2		
REV		C		

X-ON Electronics

Largest Supplier of Electrical and Electronic Components

Click to view similar products for [High Speed/Modular Connectors](#) category:

Click to view products by [TE Connectivity](#) manufacturer:

Other Similar products are found below :

[650827-1](#) [74040-1346](#) [1410191-1](#) [1410368-3](#) [1410964-2](#) [1410326-3](#) [1410367-3](#) [1410971-4](#) [1467833-1](#) [2000877-1](#) [2000878-1](#) [2041314-1](#)
[2065387-1](#) [2187307-1](#) [163P](#) [1934290-1](#) [2000875-1](#) [2065917-1](#) [2102736-2](#) [FSR-40](#) [2169868-2](#) [22354-8](#) [437-5040-000](#) [5-1393565-0](#) [039-](#)
[0246-000](#) [0740618502](#) [0761601016](#) [0784461022](#) [10123159-12ELF](#) [030-2415-003/100 PK](#) [030-7380-004](#) [030-2494-001](#) [532939-1](#) [5532901-](#)
[3](#) [3-1469268-7](#) [74748-102LF](#) [10041743-101LF](#) [10066670-100002LF](#) [1-533915-1](#) [249-4515-000](#) [7-1469373-3](#) [DL2-2J/S](#) [2000713-8](#)
[2000713-7](#) [10124313-101LF](#) [3011-21](#) [757105208](#) [430305-001](#) [4395800100](#) [8140115](#)