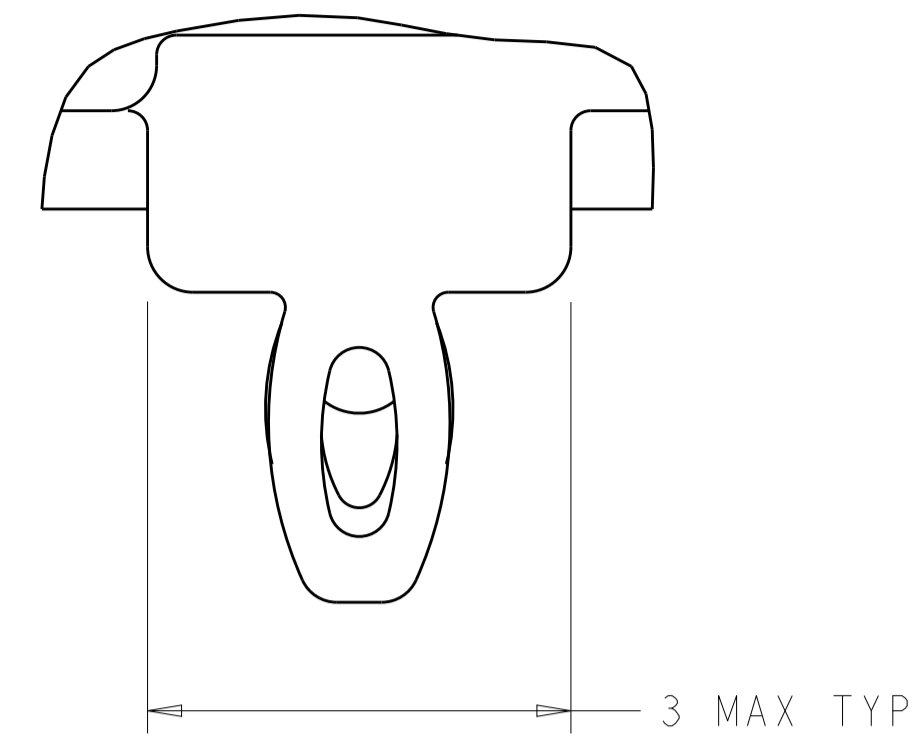


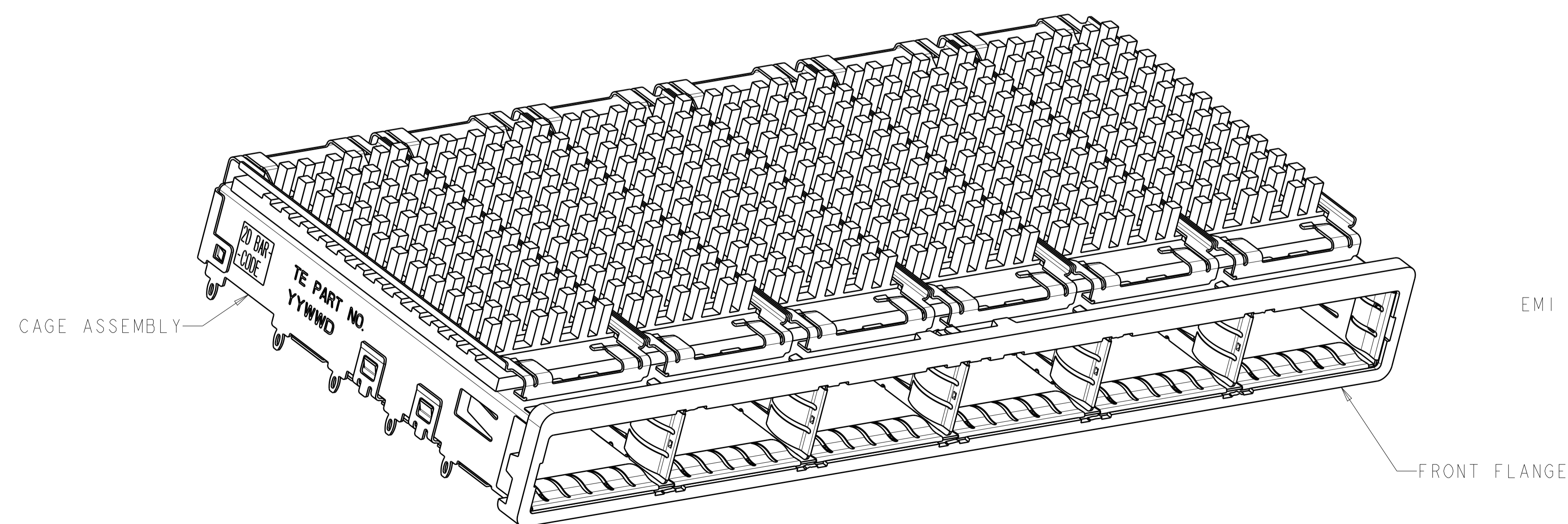
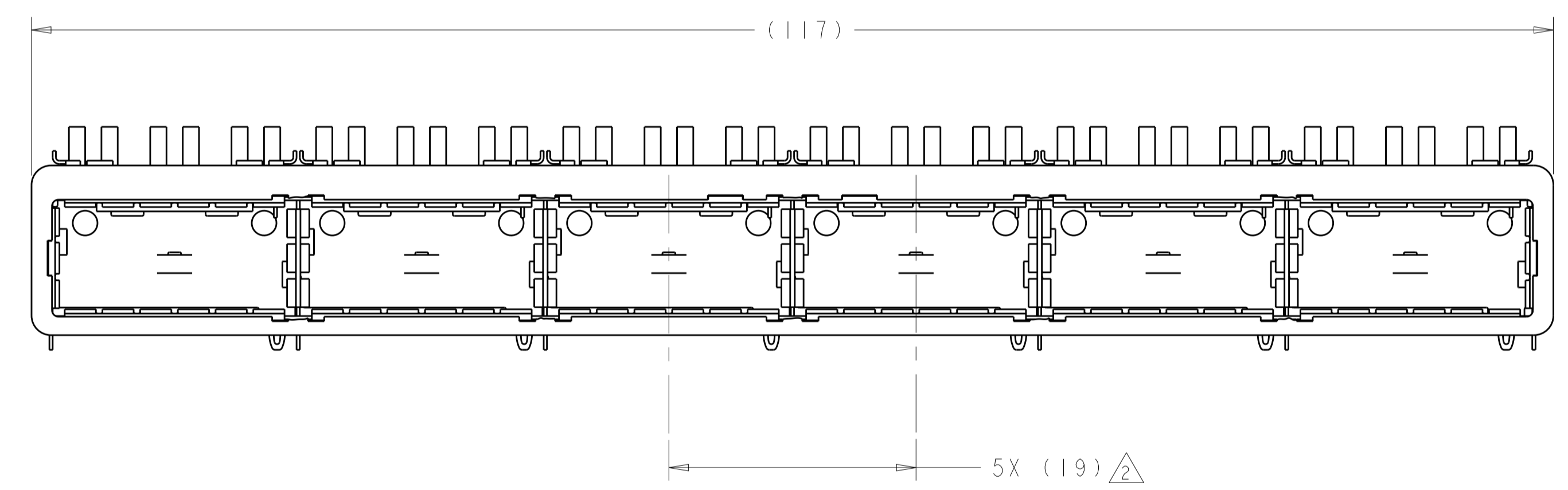
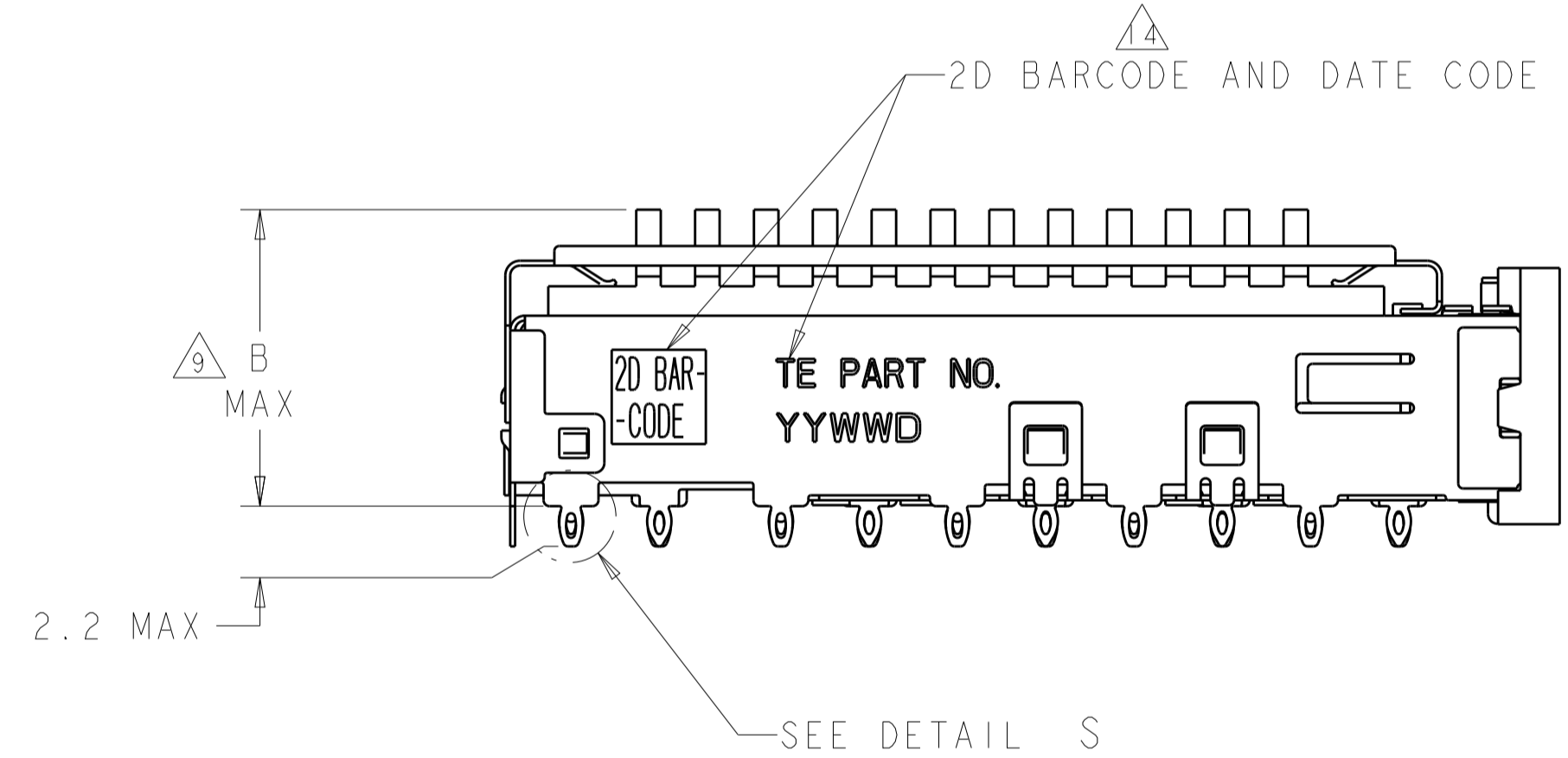
LOC	DIST	REVISIONS					
		P	LTN	DESCRIPTION	DATE	DWN	APVD
GP	00	4		UPDATED VIEWS	30MAR2011	AL	CW
		5		REVISED PER ECO-12-003841	14MAR2012	TY	KS
		6		REVISED PER ECO-12-005533	05APR2012	JY	AC
		A		REVISED PER ECO-15-000148	10APR2015	RG	MC



DETAIL S  
 SCALE 20:1

- 1. CAGE ASSEMBLY MATERIAL: NICKEL SILVER, 0.25 THICK  
 HEAT SINK MATERIAL: ALUMINUM  
 HEAT SINK CLIP MATERIAL: STAINLESS STEEL  
 EMI SPRING MATERIAL: COPPER ALLOY  
 FRONT FLANGE MATERIAL: ZINC ALLOY
- 2. PITCH BETWEEN PORTS OF ONE 1X6 CAGE ASSEMBLY.
- 3. SPACING BETWEEN CAGES ON THE SAME PC BOARD, TO BE SPECIFIED BY CUSTOMER, MUST COMPLY WITH MINIMUM DIMENSIONS SHOWN.
- 4. REFERENCE APPLICATION SPEC 114-13218 FOR RECOMMENDED DRILL HOLE DIAMETER AND PLATING THICKNESS.
- 5. DATUMS AND BASIC DIMENSIONS ESTABLISHED BY CUSTOMER.
- 6. DIMENSION F IS THE NOMINAL THICKNESS OF CUSTOMER SUPPLIED PC BOARD,  
 SINGLE SIDED PC BOARD MINIMUM THICKNESS = 1.45mm  
 DOUBLE SIDED PC BOARD MINIMUM THICKNESS = 2.2mm PER QSFP.
- 7. HEAT SINKS AND HEAT SINK CLIPS SHIPPED ASSEMBLED TO CAGE ASSEMBLY.  
 CAGE ASSEMBLY MAY BE PRESSED INTO THE PCB AS SHIPPED.
- 8. DATUM A IS TOP SURFACE OF PC BOARD.
- 9. DIMENSION APPLIES WITH MODULE INSERTED IN CAGE.
- 10. UNPLATED THRU HOLE.
- 11. MATES WITH QSFP MSA COMPATIBLE TRANSCEIVER.
- 12. SURFACE TRACES PERMITTED WITHIN THIS AREA EXCEPT WHERE CAGE STANDOFFS, SHOWN IN DETAIL S, CONTACT PC BOARD.
- 13. BASELINE FOR THESE DIMENSIONS IS THE CENTER OF COMPLIANT PIN HOLE.
- 14. 2D BARCODE AND DATE CODE (YYWW) MARKED ON SIDE OF CAGE.

- 15. REFERENCE APP SPEC 114-13218 FOR GASKET THICKNESS CALCULATION.
- 16. EMI SPRING FINISH: 2um MINIMUM TIN  
 FRONT FLANGE FINISH: 3um MINIMUM TIN OVER 1.27um MINIMUM NICKEL  
 OVER 5.08um MINIMUM COPPER.  
 HEAT SINK FINISH: NICKEL

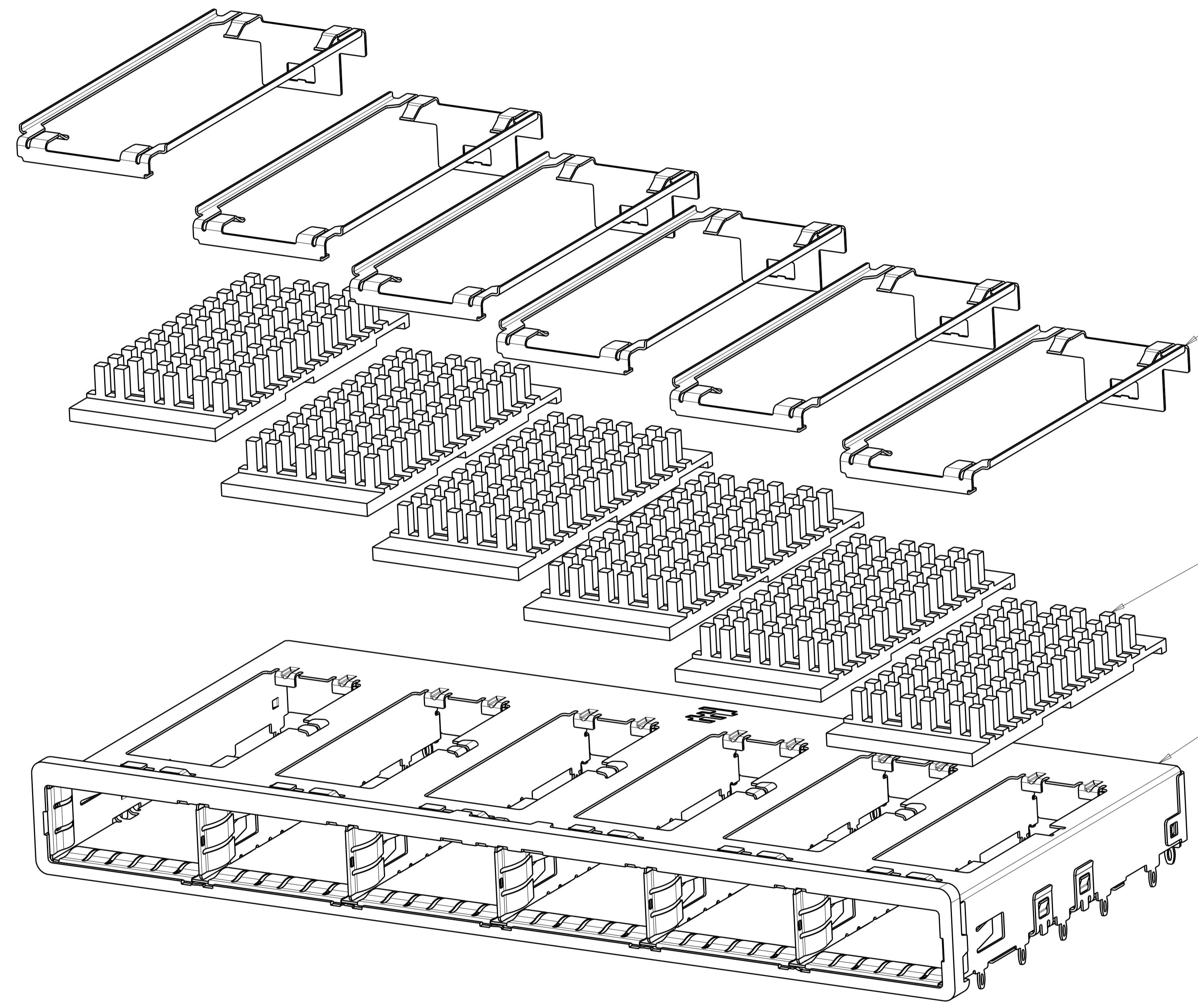


23.0	NETWORKING	2143330-3
16.0	SAN	2143330-2
13.7	PCI	2143330-1
B	HEAT SINK PROFILE	PART NUMBER

THIS DRAWING IS A CONTROLLED DOCUMENT.

DIMENSIONS:	TOLERANCES UNLESS OTHERWISE SPECIFIED:	DWN: C. VALENTINE 17MAR2010	NAME: 1X6 CAGE ASSEMBLY, BEHIND BEZEL, W/ HEAT SINKS, QSFP
mm	0 PLC ±0.1	CHK: J. PETERSON 17MAR2010	SIZE: CAGE CODE DRAWING NO
	1 PLC ±0.1	APVD: J. PETERSON 17MAR2010	RESTRICTED TO
	2 PLC ±0.1	PRODUCT SPEC: 108-2286	A100779C=2143330
	3 PLC ±0.1	APPLICATION SPEC: 114-13218	SCALE: 3:1 SHEET 1 OF 5 REV A
	4 PLC ±0.1	WEIGHT: -	Customer Drawing
MATERIAL:	FINISH:		

LOC	DIST	REVISIONS			
P	LTN	DESCRIPTION	DATE	DWN	APVD
-	-	SEE SHEET 1	-	-	-



HEAT SINK CLIPS  
 QUANTITY: 6

72 PIN HEAT SINKS  
 QUANTITY: 6

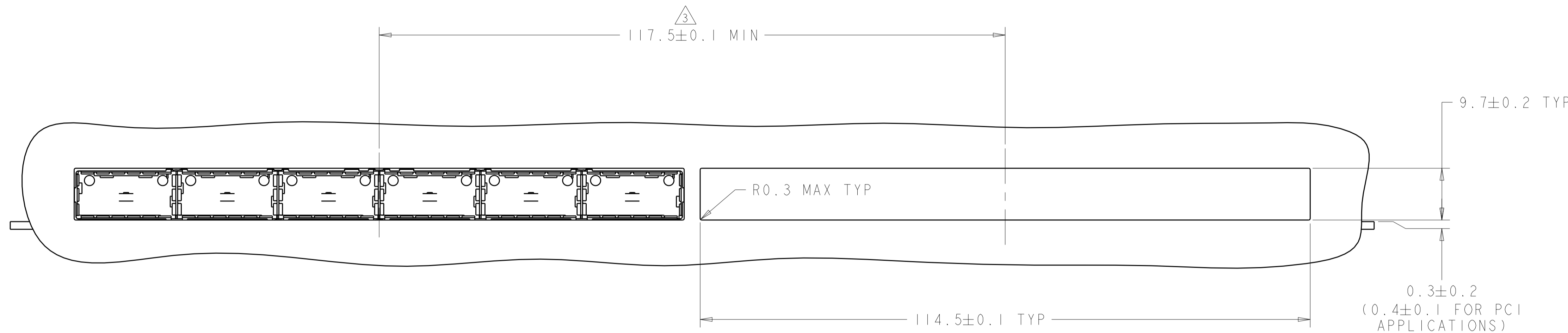
1X6 BEHIND BEZEL QSFP  
 CAGE ASSEMBLY  
 QUANTITY: 1

THIS DRAWING IS A CONTROLLED DOCUMENT.		DWN C. VALENTINE 17MAR2010	TE Connectivity
DIMENSIONS: mm		CHK J. PETERSON 17MAR2010	
TOLERANCES UNLESS OTHERWISE SPECIFIED: 0 PLC ± 1 PLC ±0.1 2 PLC ±0.1 3 PLC ± 4 PLC ± ANGLES ± FINISH		APVD J. PETERSON 17MAR2010	NAME 1X6 CAGE ASSEMBLY, BEHIND BEZEL, W/ HEAT SINKS, QSFP
MATERIAL		PRODUCT SPEC 108-2286	RESTRICTED TO
		APPLICATION SPEC 114-13218	SIZE CAGE CODE DRAWING NO A100779C=2143330
		WEIGHT	SCALE 3:1 SHEET 2 OF 5 REV A
		Customer Drawing	

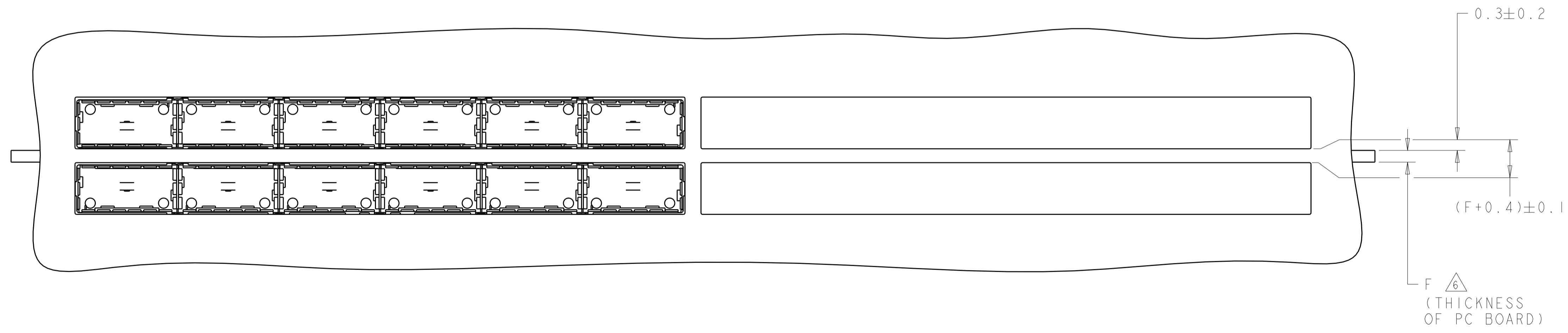
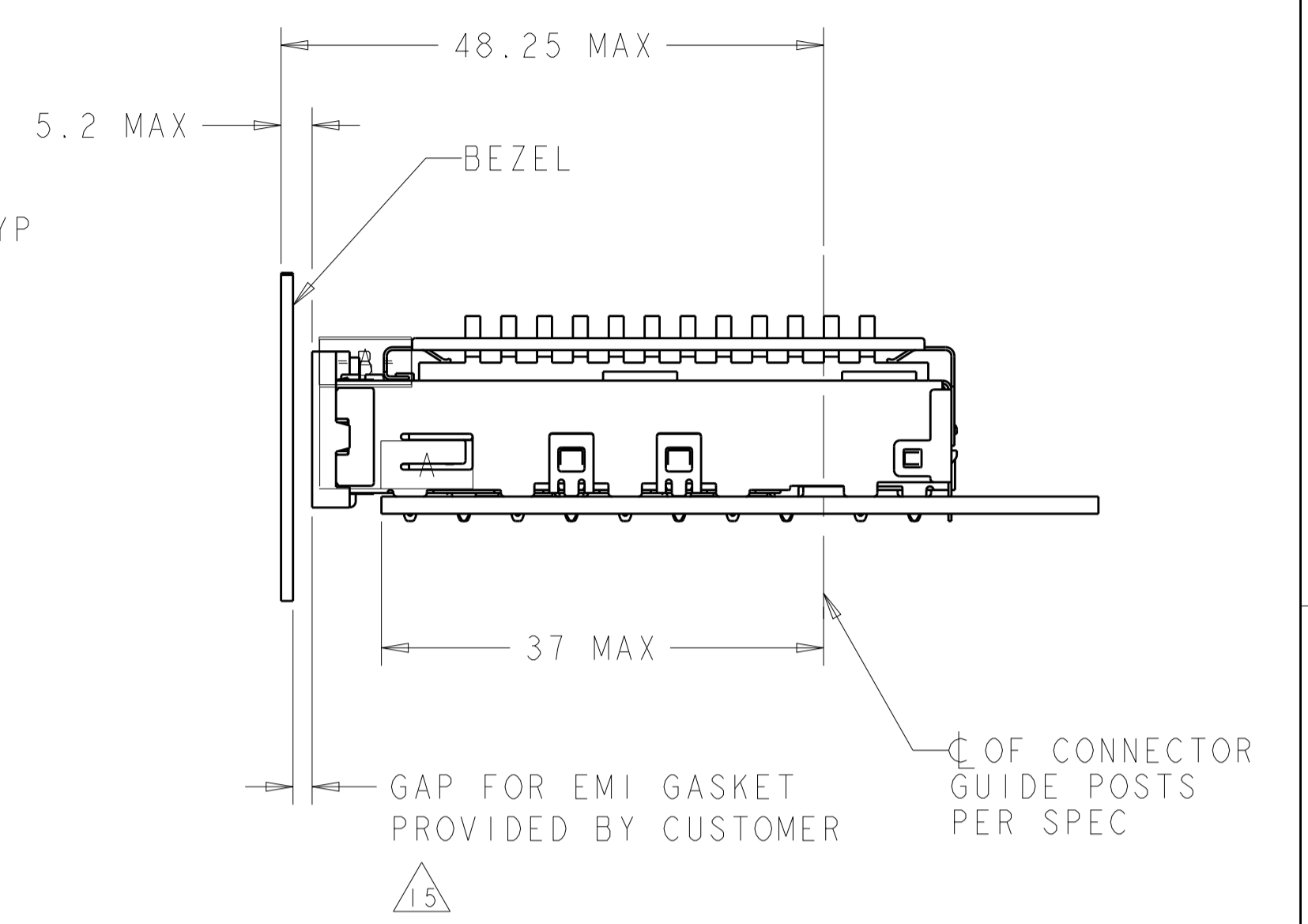
LOC	DIST	REV	DATE	BY	APPD
GP	00				

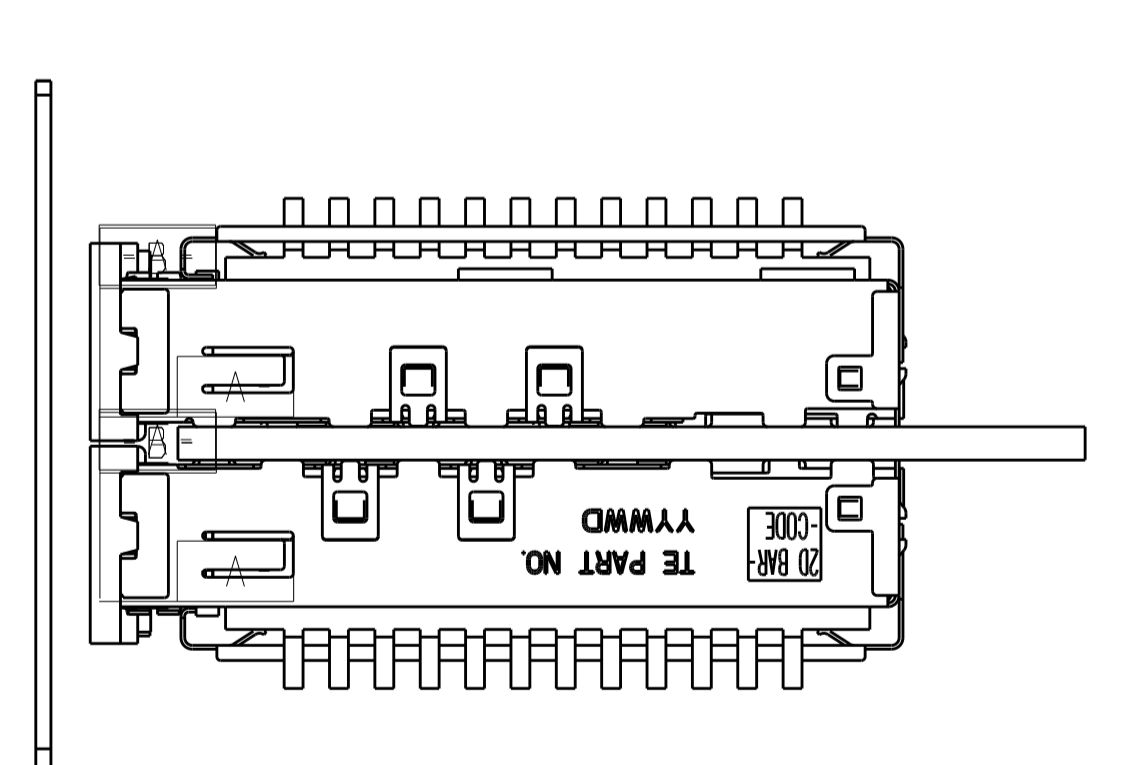
REVISIONS			
NO.	DESCRIPTION	DATE	BY
-	SEE SHEET 1	-	-



ONE SIDED CONFIGURATION  
 SCALE 2:1



BELLY TO BELLY CONFIGURATION  
 SIMILAR TO ONE SIDED  
 EXCEPT WHERE NOTED  
 SCALE 2:1

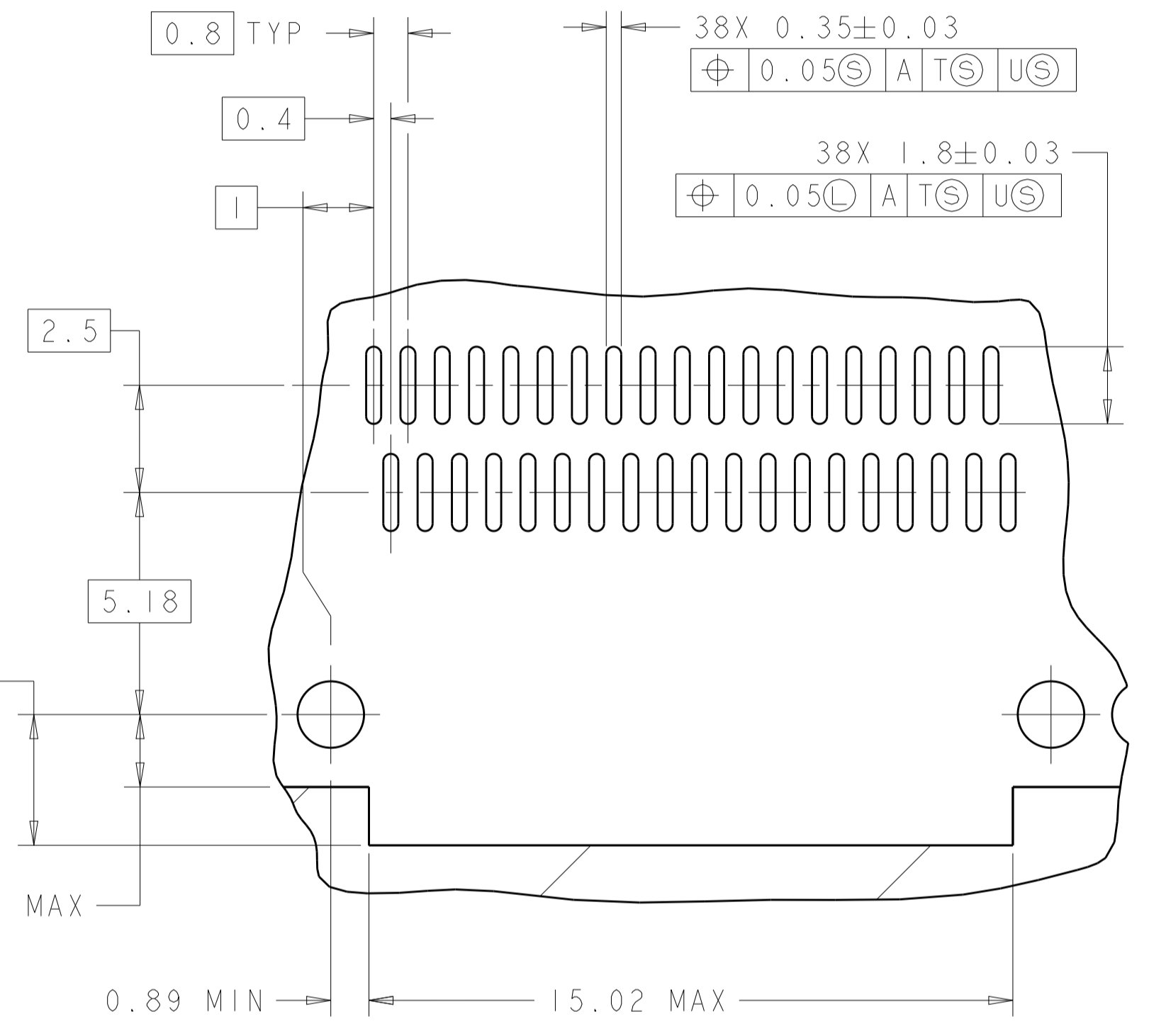
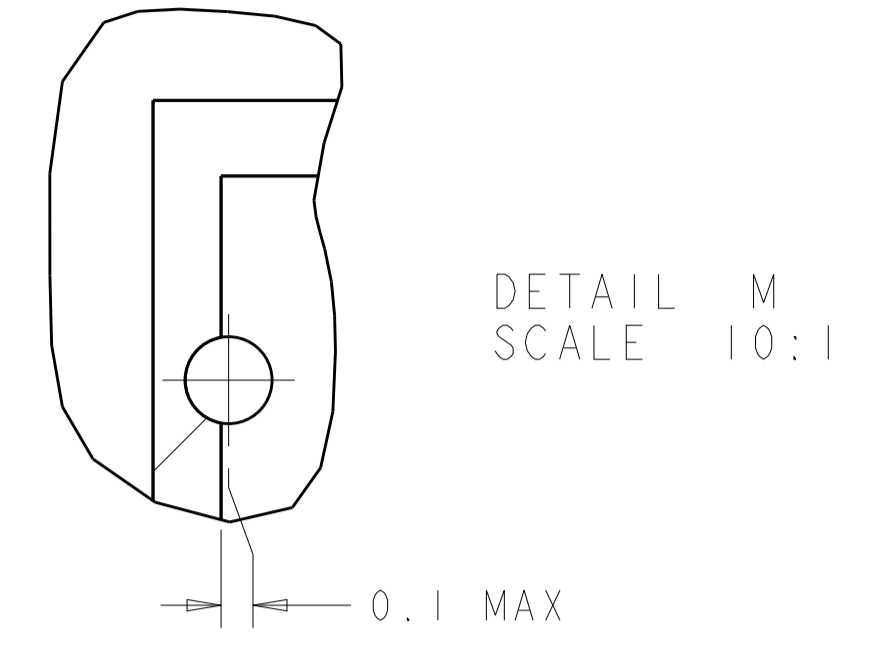
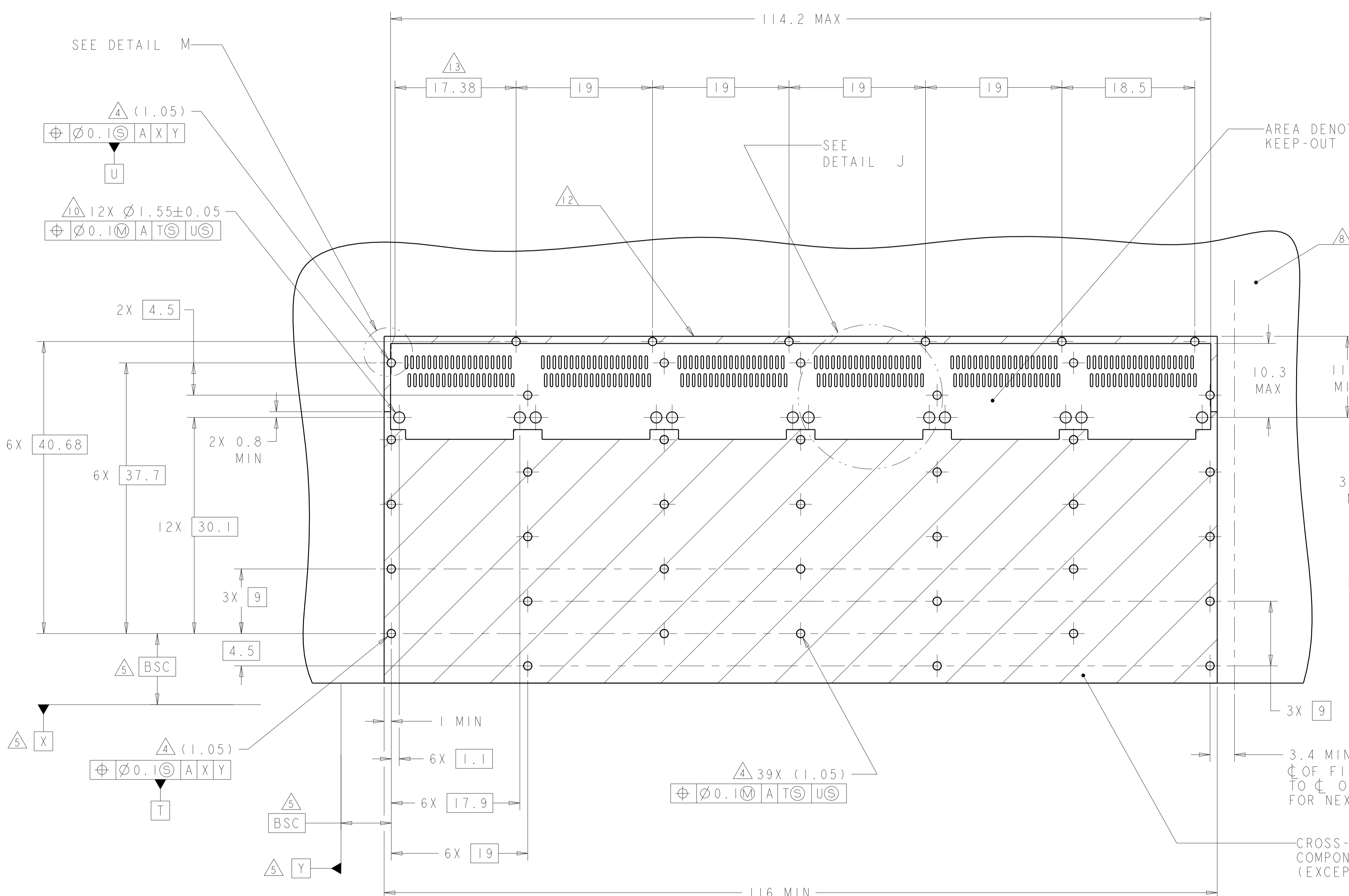


THIS DRAWING IS A CONTROLLED DOCUMENT.		OWN: C. VALENTINE 17MAR2010	TE Connectivity
DIMENSIONS: mm		CHK: J. PETERSON 17MAR2010	
TOLERANCES UNLESS OTHERWISE SPECIFIED:		APVD: J. PETERSON 17MAR2010	NAME: 1X6 CAGE ASSEMBLY, BEHIND BEZEL, W/ HEAT SINKS, QSPF
0 PLC ±	1 PLC ±0.1	PRODUCT SPEC: 108-2286	SIZE: A
2 PLC ±	3 PLC ±	APPLICATION SPEC: 114-13218	CAGE CODE: 2143330
4 PLC ±	ANGLES ±	WEIGHT: -	RESTRICTED TO: -
MATERIAL: -	FINISH: -	Customer Drawing	SCALE: 3:1 SHEET 3 OF 5 REV A

LOC	DIST	REV	DATE	BY	APPV
GP	00				

REVISIONS			
NO.	DESCRIPTION	DATE	BY
-	SEE SHEET 1	-	-



RECOMMENDED PC BOARD LAYOUT  
 SINGLE SIDE MOUNT CONFIGURATION  
 SCALE 3:1

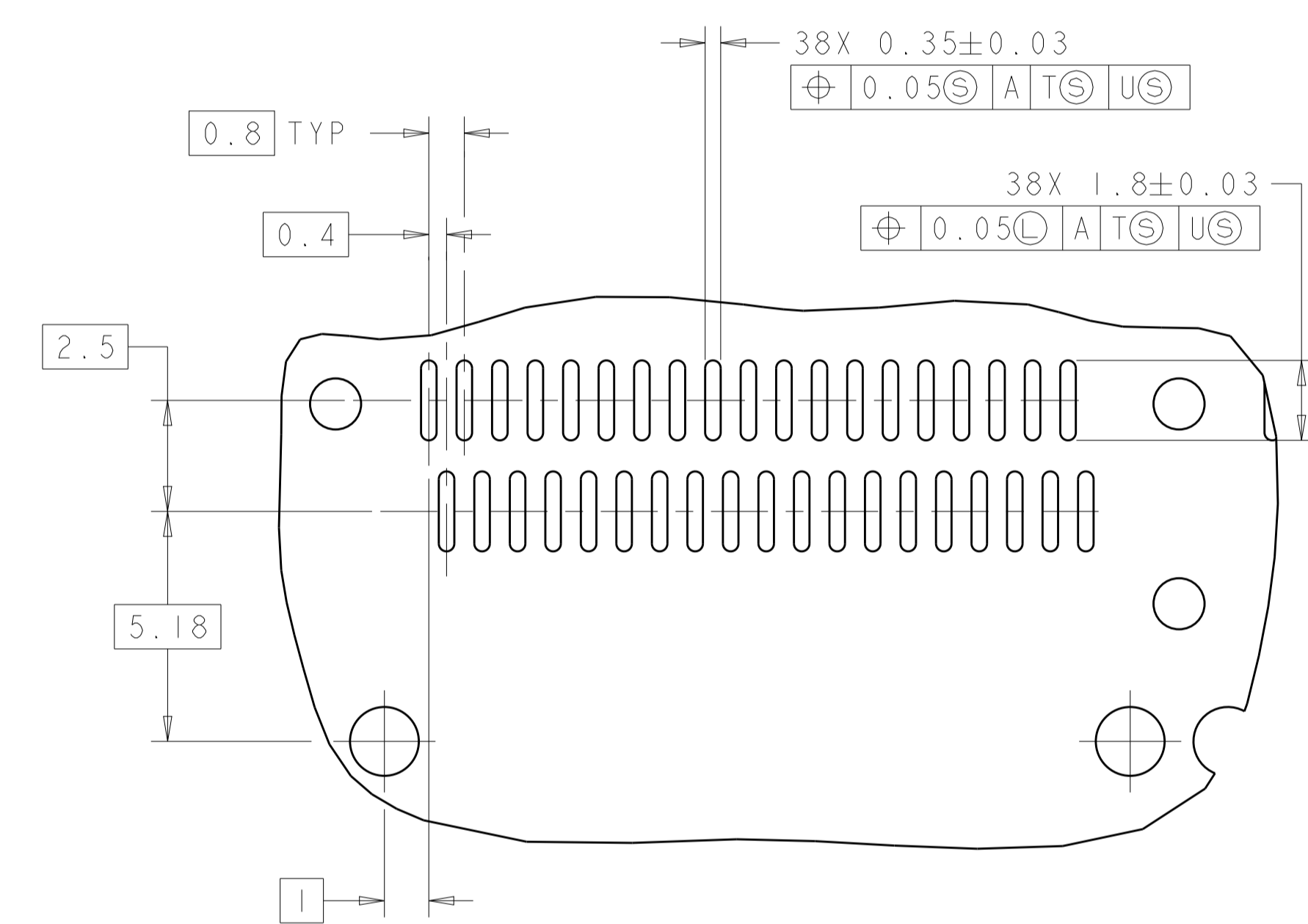
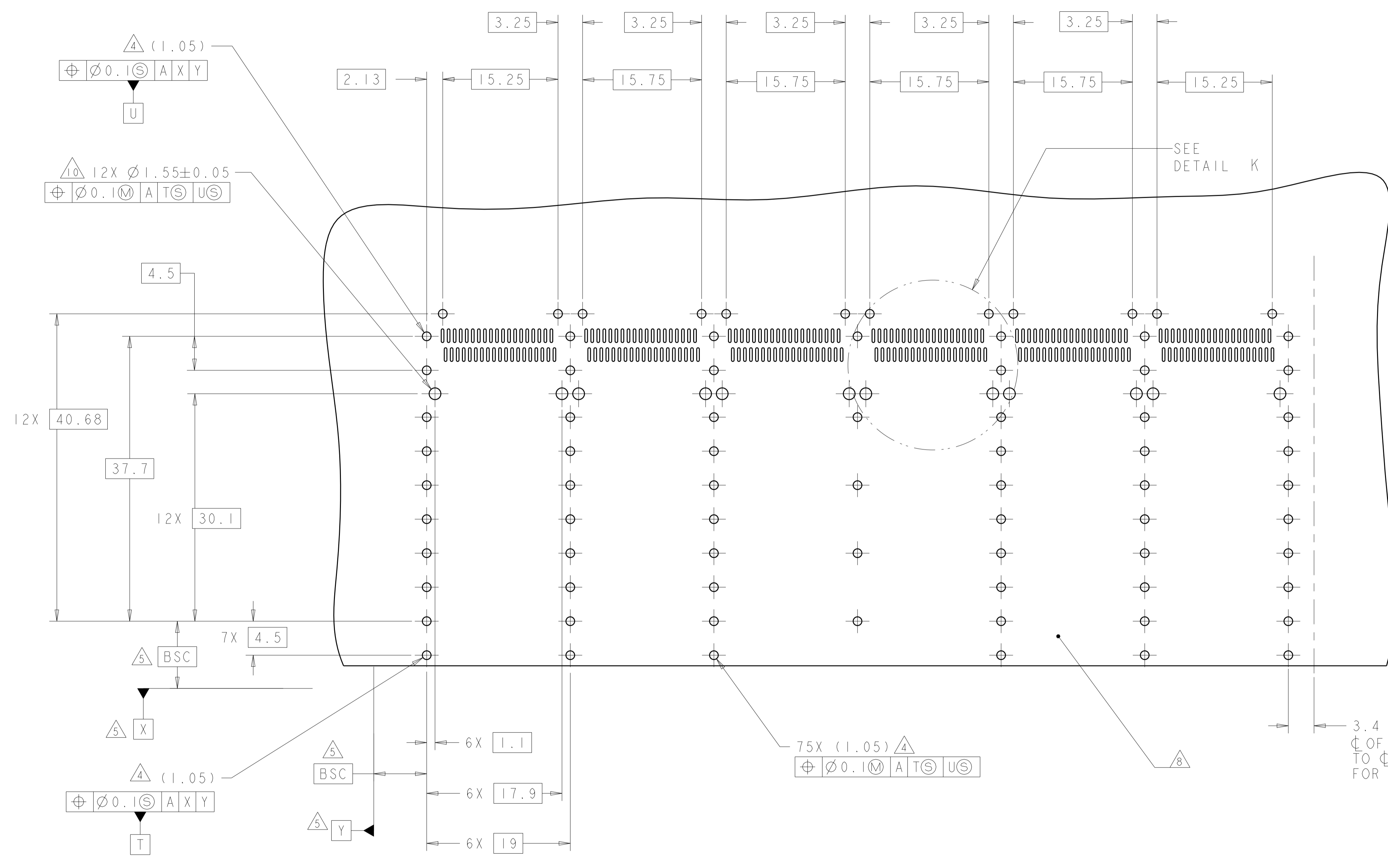
AREA DENOTES COMPONENT  
 KEEP-OUT (TRACES PERMITTED)

3.4 MIN  
 CL OF FINAL ROW OF HOLES  
 TO CL OF FIRST ROW OF HOLES  
 FOR NEXT ADJACENT CAGE

CROSS-HATCHED AREA DENOTES  
 COMPONENT AND TRACE KEEP-OUT  
 (EXCEPT CHASSIS GROUND)

THIS DRAWING IS A CONTROLLED DOCUMENT.		DWN C. VALENTINE 17MAR2010	TE Connectivity
DIMENSIONS: mm		CHK J. PETERSON 17MAR2010	
TOLERANCES UNLESS OTHERWISE SPECIFIED:		APVD J. PETERSON 17MAR2010	NAME 1X6 CAGE ASSEMBLY, BEHIND BEZEL, W/ HEAT SINKS, QSFP
0 PLC ±		PRODUCT SPEC	SIZE CAGE CODE DRAWING NO
1 PLC ±0.1		108-2286	RESTRICTED TO
2 PLC ±0.1		APPLICATION SPEC	A100779C=2143330
3 PLC ±		114-13218	SCALE 4:1 SHEET 4 OF 5 REV A
4 PLC ±		WEIGHT	
ANGLES ±		Customer Drawing	
FINISH			

LOC	DIST	REVISIONS					
GP	00	P	LTN	DESCRIPTION	DATE	DMN	APVD
-	-	-	-	SEE SHEET 1	-	-	-



RECOMMENDED PC BOARD LAYOUT  
 BELLY TO BELLY CONFIGURATION  
 SEE SHEET 4 FOR COMPONENT AND TRACE KEEP-OUTS  
 SCALE 3:1

THIS DRAWING IS A CONTROLLED DOCUMENT.		DMN C. VALENTINE 17MAR2010	TE Connectivity NAME 1X6 CAGE ASSEMBLY, BEHIND BEZEL, W/ HEAT SINKS, QSFP
DIMENSIONS: mm		CHK J. PETERSON 17MAR2010	
TOLERANCES UNLESS OTHERWISE SPECIFIED:		APVD J. PETERSON 17MAR2010	PRODUCT SPEC 108-2286
0 PLC ±.1 1 PLC ±0.1 2 PLC ±0.1 3 PLC ±. 4 PLC ±. ANGLES ±. FINISH		APPLICATION SPEC 114-13218	RESTRICTED TO
MATERIAL		WEIGHT	SIZE CAGE CODE DRAWING NO A100779C=2143330
Customer Drawing		SCALE 4:1	SHEET 5 OF 5 REV A

## X-ON Electronics

Largest Supplier of Electrical and Electronic Components

*Click to view similar products for [I/O Connectors](#) category:*

*Click to view products by [TE Connectivity](#) manufacturer:*

Other Similar products are found below :

[571763P](#) [58098-0628](#) [72.250.1628.2](#) [72.250.2428.2](#) [74720-0505](#) [76.350.0729.0](#) [76871-1403](#) [FCN-244F080-G/1](#) [FCN-260A9920](#) [PCR-E36PM](#) [PCS-XE26MA+](#) [G38A71314B](#) [DX40-50P\(55\)](#) [1571250010](#) [157-22500-3](#) [MS3471L14-19P L/C](#) [91-569786-35H](#) [172501-4002](#) [172501-6002](#) [FCN-260C008-A/L0](#) [FCN-260C024-AL0](#) [FCN-261Z008](#) [2000314-1](#) [200331-1](#) [PCR-E36FC+](#) [PCS-E28FS+](#) [PCS-XE26SLFD+](#) [PCS-XE26SLFDT+](#) [G730VID08BDC24](#) [U90B2054081210](#) [UE86K842720321](#) [38113800006](#) [DP3AR020WQ1R200](#) [Z4.102.0680.0](#) [500-1040](#) [500-1052](#) [500-1054](#) [ZP-4008-66L](#) [0709821002](#) [10-565995-597N](#) [DX40-20P\(55\)](#) [5554841-1](#) [MS3474W18-8P-LC\\*](#) [U90B3054061110](#) [U65-E04-4020](#) [ZPF000000000097891](#) [557-262M2-06C](#) [747360449](#) [10099439-003C-TRLF](#) [10137239-0021LF](#)