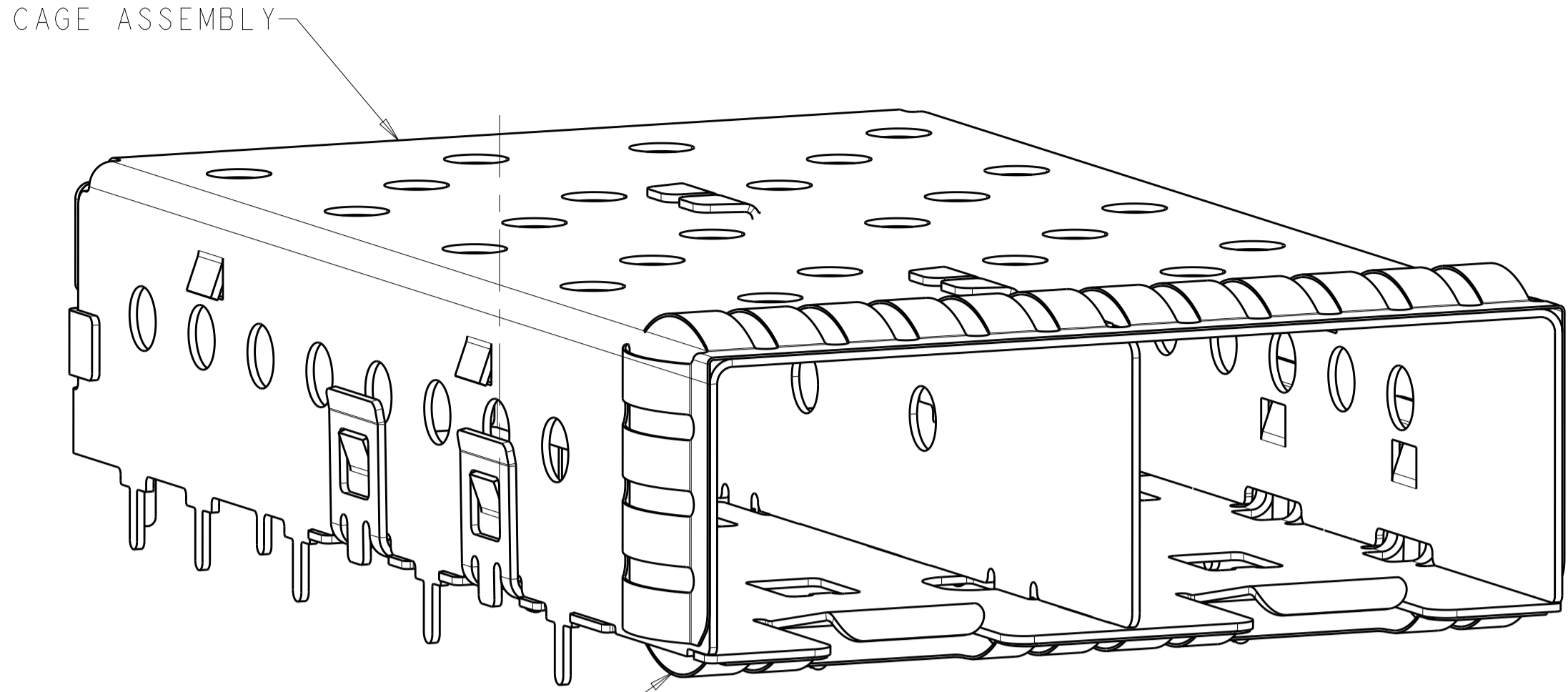


LOC	DIST	REVISIONS					
		P	LTN	DESCRIPTION	DATE	DWN	APVD
GP	00	A		RELEASED	26FEB2016	JW	SH

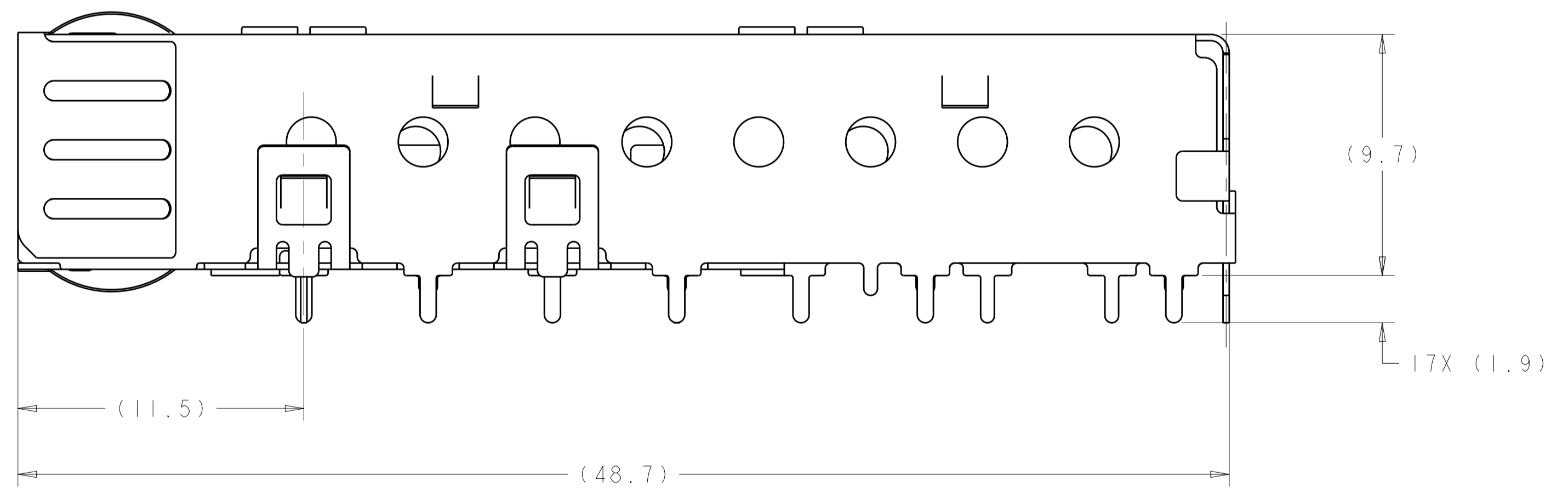
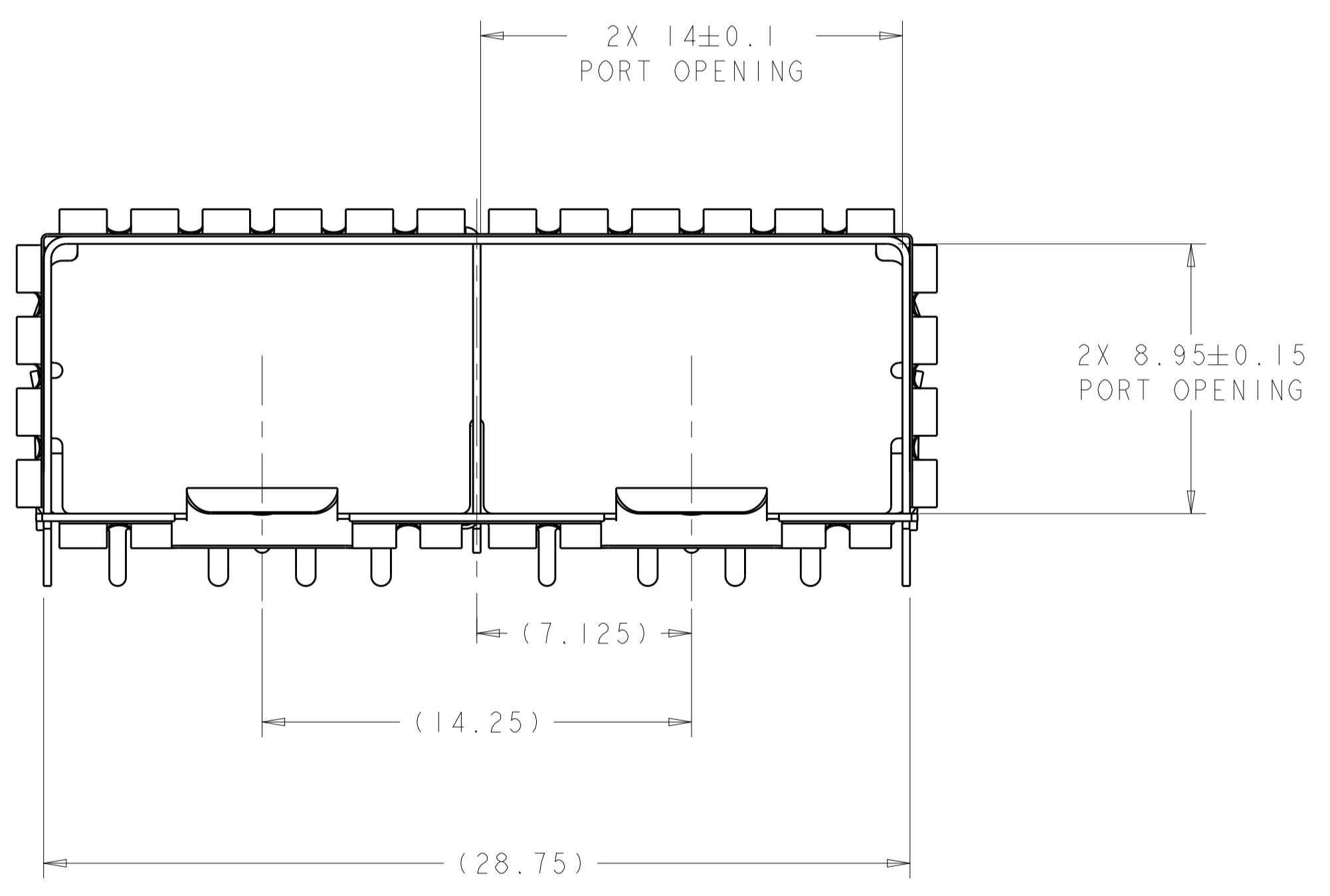


CAGE ASSEMBLY

EMI SPRINGS

2143451-1 OR 2
FINISHED ASSEMBLY

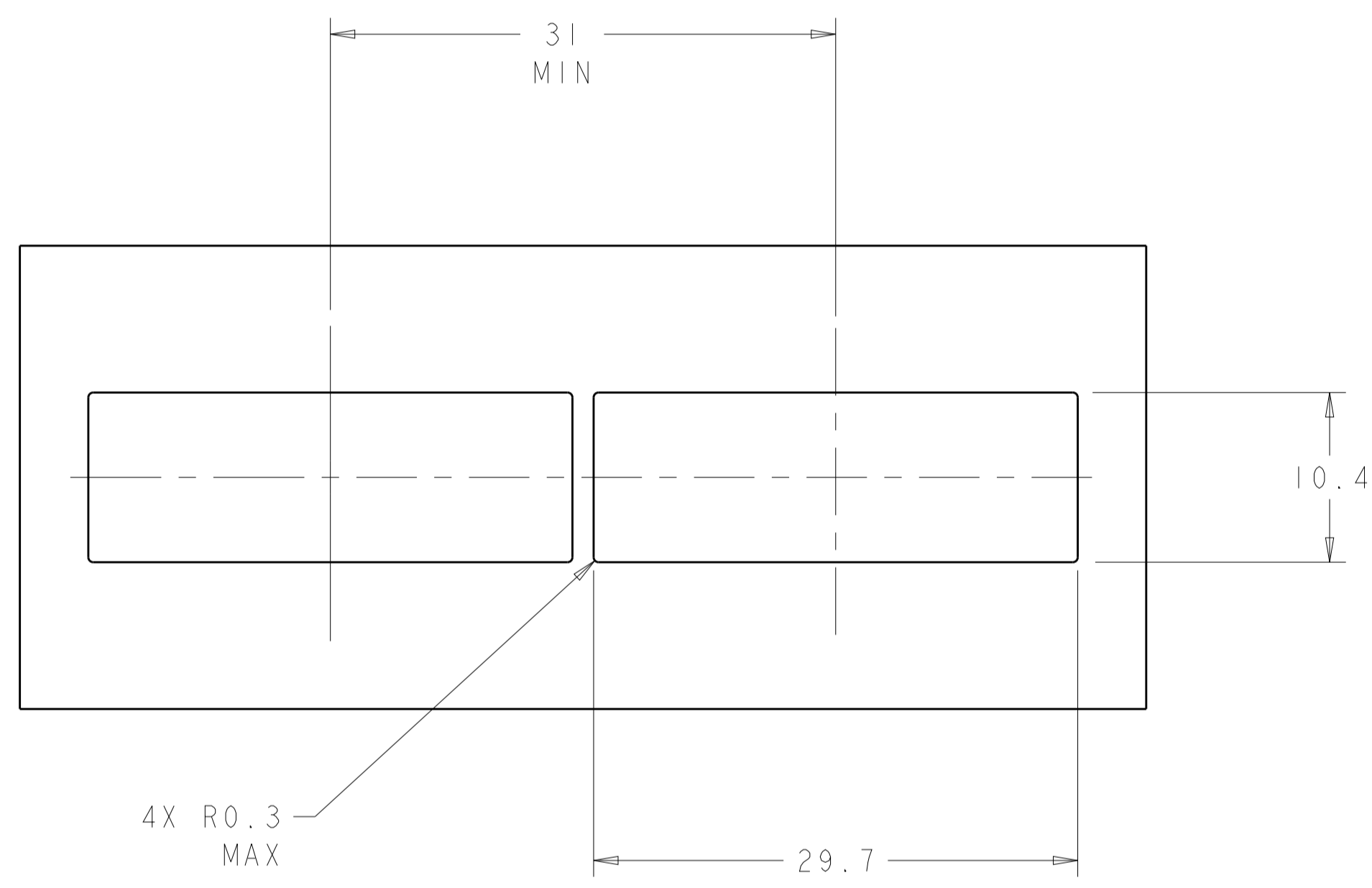
- 1. MATERIAL: CAGE ASSEMBLY: 0.25mm THICK NICKEL SILVER ALLOY
EMI SPRINGS: COPPER ALLOY
- 2. FINISH:
SPRINGS - MINIMUM OF 0.8um MATTE TIN PLATED OVER A MINIMUM OF 0.8um NICKEL UNDERPLATE.
NON-PLATED EDGES PERMISSIBLE.
- 3. MATES WITH SFP MSA COMPLIANT TRANSCEIVERS.
- 4. PADS AND VIAS CHASSIS GROUND.
- 5. INTERPRETATION OF DATUM REFERENCE FRAME IN ACCORDANCE WITH SECT 4.4.1.1 OF ASME Y14.5M-1994.
- 6. MINIMUM PC BOARD THICKNESS: 1.50
- 7. HOLE PATTERN REPEATS FOR EACH PORT, SPACING BETWEEN PORTS IS 14.25mm.
- 8. DATUM AND BASIC DIMENSION ESTABLISHED BY CUSTOMER.
- 9. CERTAIN MATING TRANSCEIVERS MAY REQUIRE ADDITIONAL PCB THICKNESS THAT WOULD NEED TO BE DETERMINED BY THE CUSTOMER.
- 10. PRODUCT COMPLIES WITH SPECIFICATION SFF-8433 IMPROVED PLUGGABLE FORM FACTOR FOR SFP+ GANGED CAGES.



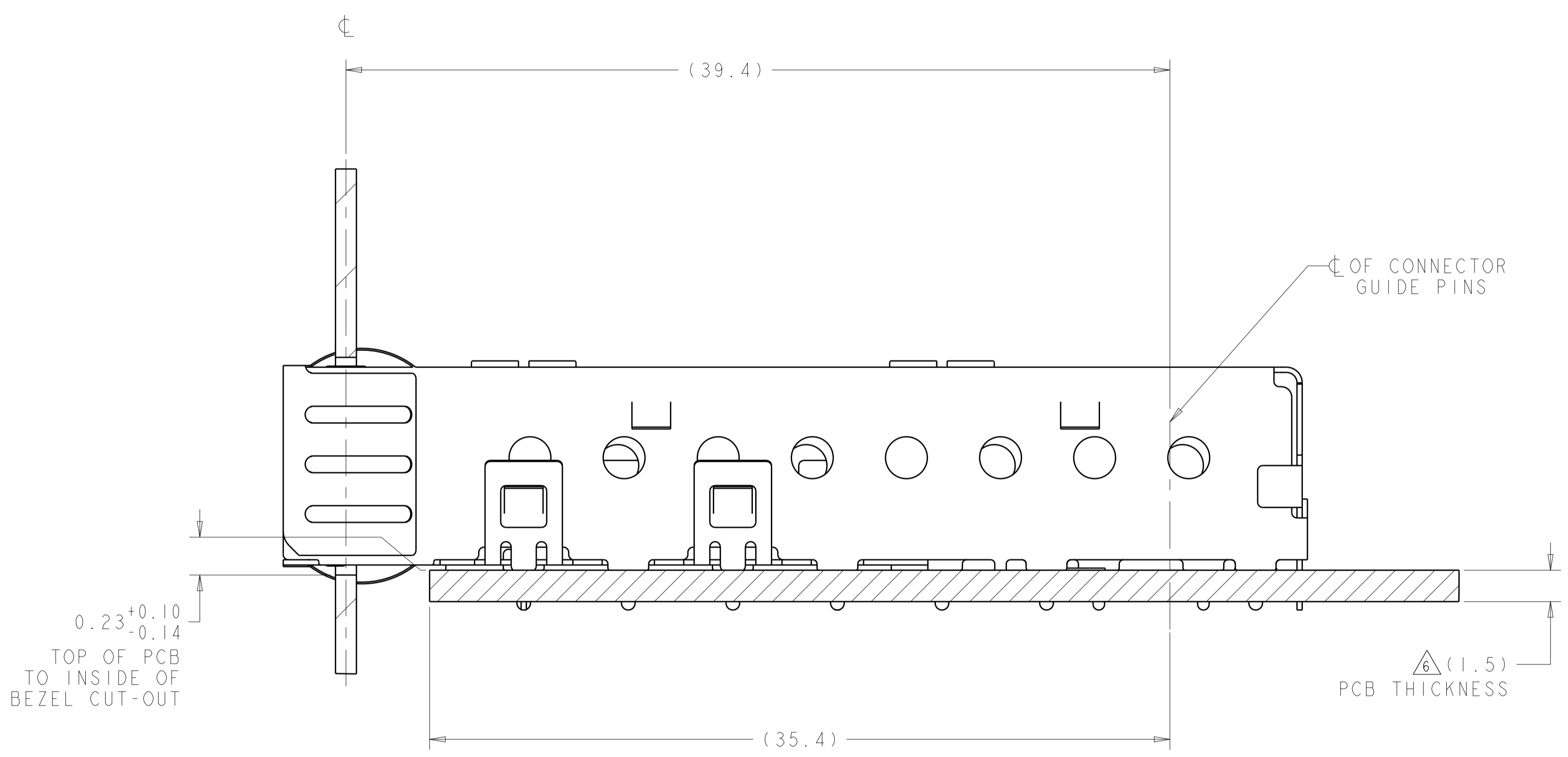
TAPE AND REEL	2143451-2
TRAY	2143451-1
PACKAGING METHOD	PART NUMBER

THIS DRAWING IS A CONTROLLED DOCUMENT.		DWN C. VALENTINE 14APR2010	TE Connectivity NAME SFP+ 1X2 CAGE ASSEMBLY SOLDER TAIL, EXTERNAL EMI SPRINGS
DIMENSIONS:		CHK J. PETERSON 14APR2010	
TOLERANCES UNLESS OTHERWISE SPECIFIED:		APVD J. PETERSON 14APR2010	
mm		PRODUCT SPEC	
0 PLC	±0.1	108-2364	SIZE
1 PLC	±0.1	APPLICATION SPEC	CAGE CODE
2 PLC	±0.1	114-13120	DRAWING NO
3 PLC	±0.1	WEIGHT	RESTRICTED TO
4 PLC	±0.1	CUSTOMER DRAWING	A100779
ANGLES	±1°	SCALE	6:1
MATERIAL		SHEET	1 OF 3
FINISH		REV	A

LOC	DIST	REVISIONS			
P	LTN	DESCRIPTION	DATE	DMN	APVD
-	-	SEE SHEET 1	-	-	-



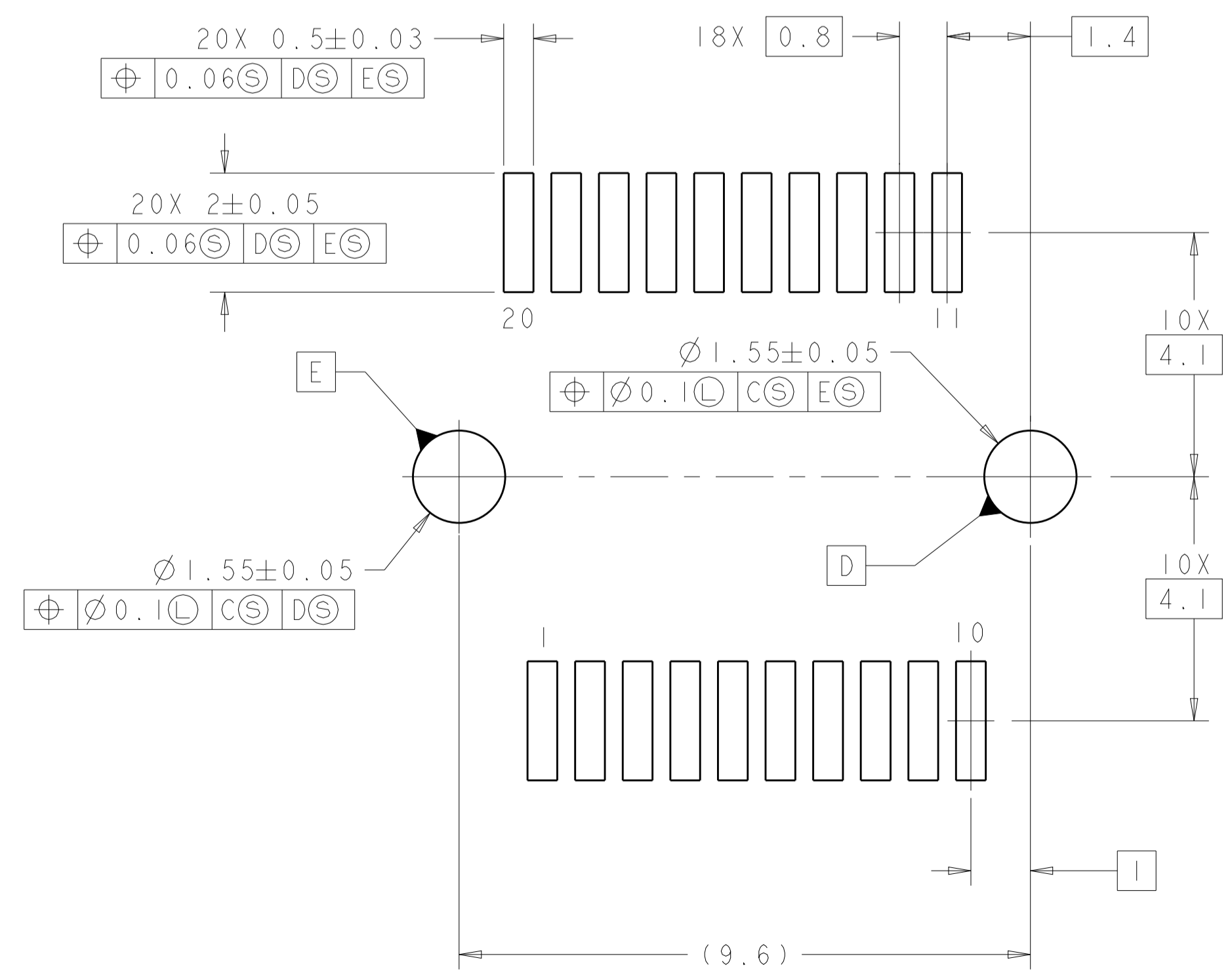
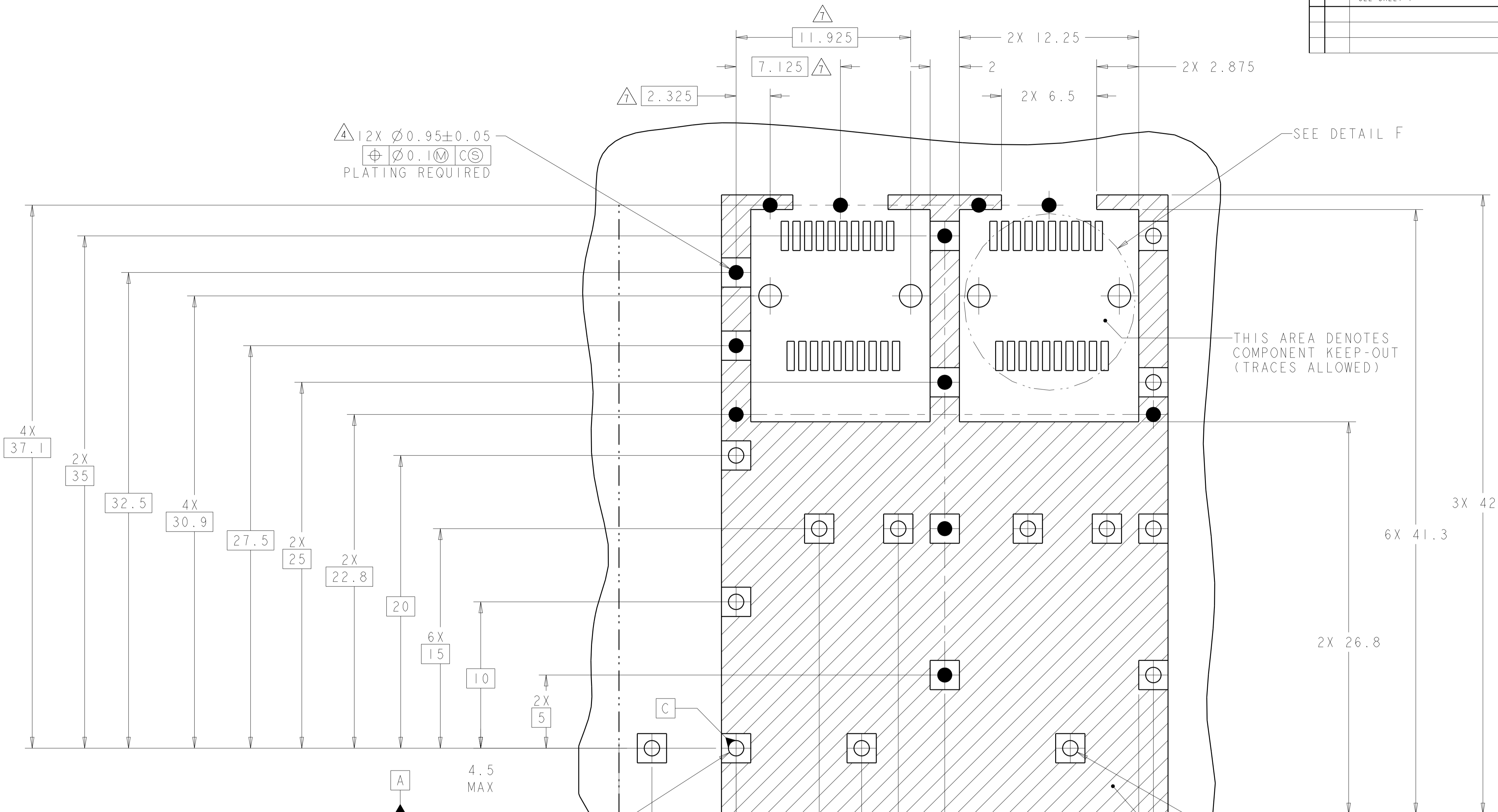
RECOMMENDED BEZEL CUT-OUT
 SINGLE SIDED APPLICATIONS
 SCALE 3:1



2143451-1 OR 2
 MOUNTED ON PC BOARD
 SHOWN THRU RECOMMENDED BEZEL

THIS DRAWING IS A CONTROLLED DOCUMENT.		DMN C. VALENTINE 14APR2010	TE Connectivity NAME SFP+ 1X2 CAGE ASSEMBLY SOLDER TAIL, EXTERNAL EMI SPRINGS	
DIMENSIONS:		CHK J. PETERSON 14APR2010		
mm	TOLERANCES UNLESS OTHERWISE SPECIFIED:	APVD J. PETERSON 14APR2010	PRODUCT SPEC 108-2364	RESTRICTED TO
	0 PLC ±0.1 1 PLC ±0.1 2 PLC ±0.1 3 PLC ±0.1 4 PLC ±0.1 ANGLES ±1°	APPLICATION SPEC 114-13120	SIZE A100779C=2143451	SCALE 6:1 SHEET 2 OF 3 REV A
MATERIAL	FINISH	WEIGHT	CUSTOMER DRAWING	

LOC	DIST	REVISIONS			
P	LTN	DESCRIPTION	DATE	DMN	APVD
GP	00	SEE SHEET 1			



DETAIL F
 RECOMMENDED PT CONNECTOR LAYOUT
 2X INDIVIDUALLY
 SCALE 12:1

RECOMMENDED PCB CONFIGURATION
 WITH KEEP-OUT AREAS
 SINGLE SIDED APPLICATIONS

THIS DRAWING IS A CONTROLLED DOCUMENT.		DMN C. VALENTINE 14APR2010	NAME SFP+ 1X2 CAGE ASSEMBLY SOLDER TAIL, EXTERNAL EMI SPRINGS
DIMENSIONS: mm	TOLERANCES UNLESS OTHERWISE SPECIFIED: 0 PLC ± 0.1 1 PLC ± 0.1 2 PLC ± 0.1 3 PLC ± 0.1 4 PLC ± 0.1 ANGLES ± 0.1	CHK J. PETERSON 14APR2010	RESTRICTED TO
MATERIAL	FINISH	APVD J. PETERSON 14APR2010	SIZE A100779
		PRODUCT SPEC 108-2364	CAGE CODE 2143451
		APPLICATION SPEC 114-13120	DRAWING NO 2143451
		WEIGHT	SHEET 3 OF 3
		CUSTOMER DRAWING	REV A
		SCALE 6:1	

X-ON Electronics

Largest Supplier of Electrical and Electronic Components

Click to view similar products for [I/O Connectors](#) category:

Click to view products by [TE Connectivity](#) manufacturer:

Other Similar products are found below :

[571763P](#) [58098-0628](#) [72.250.1628.2](#) [72.250.2428.2](#) [74720-0505](#) [76.350.0729.0](#) [76871-1403](#) [FCN-244F080-G/1](#) [FCN-260A9920](#) [PCR-E36PM](#) [PCS-XE26MA+](#) [G38A71314B](#) [1571250010](#) [157-22500-3](#) [MS3471L14-19P L/C](#) [172501-4002](#) [172501-6002](#) [FCN-260C008-A/L0](#) [FCN-260C024-AL0](#) [FCN-261Z008](#) [2000314-1](#) [200331-1](#) [PCR-E36FC+](#) [PCS-E28FS+](#) [PCS-XE26SLFD+](#) [PCS-XE26SLFDT+](#) [G730VID08BDC24](#) [U90B2054081210](#) [38113800006](#) [DP3AR020WQ1R200](#) [Z4.102.0680.0](#) [500-1040](#) [500-1052](#) [500-1054](#) [ZP-4008-66L](#) [0709821002](#) [DX40-20P\(55\)](#) [5554841-1](#) [MS3474W18-8P-LC*](#) [U90B3054061110](#) [U65-E04-4020](#) [ZPF000000000097891](#) [747360449](#) [10099439-003C-TRLF](#) [10137239-0021LF](#) [E9320-001-01](#) [10137239-0011LF](#) [70289-001LF](#) [70.060.1028.0](#) [109029-ZZ](#)