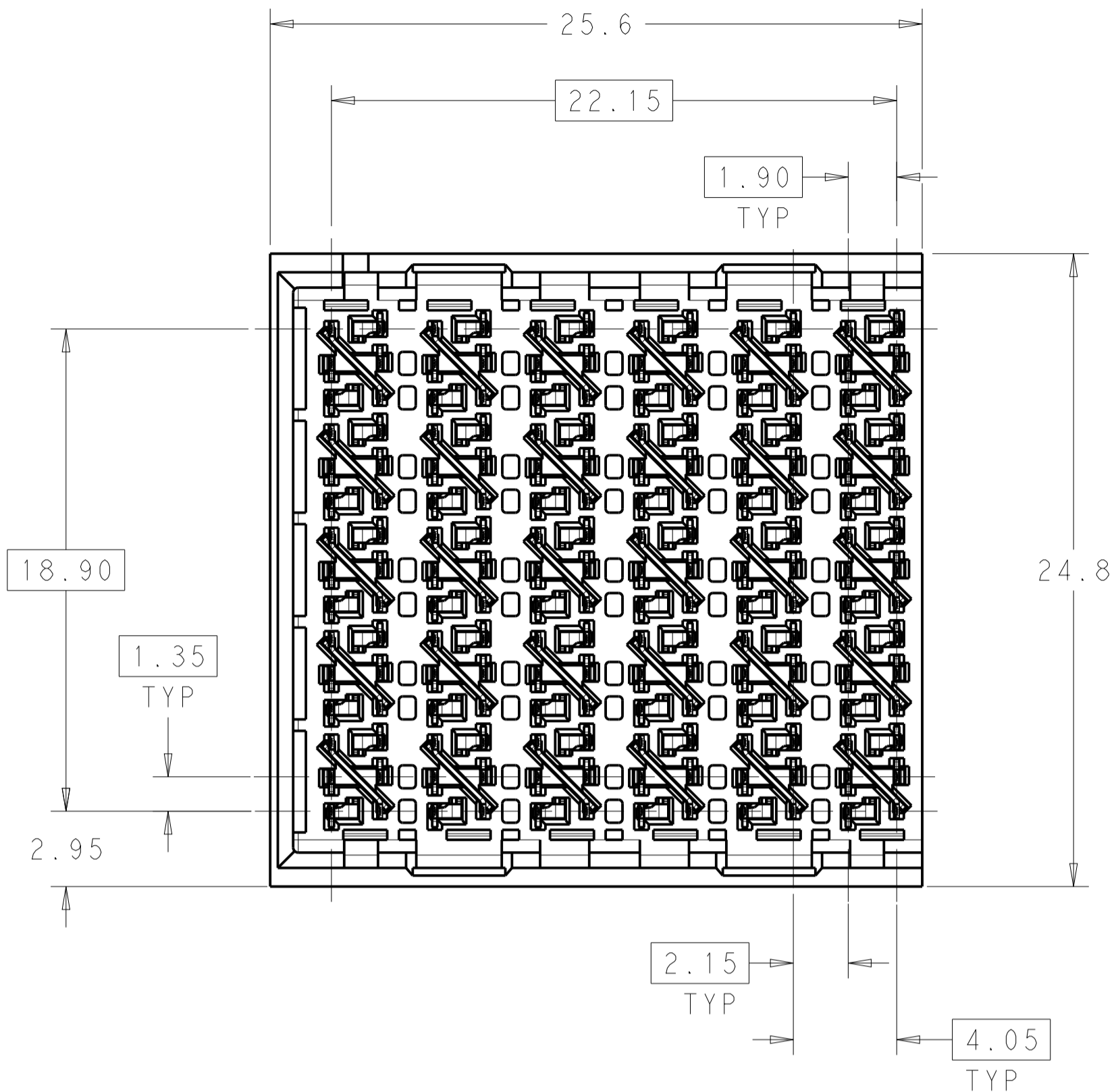
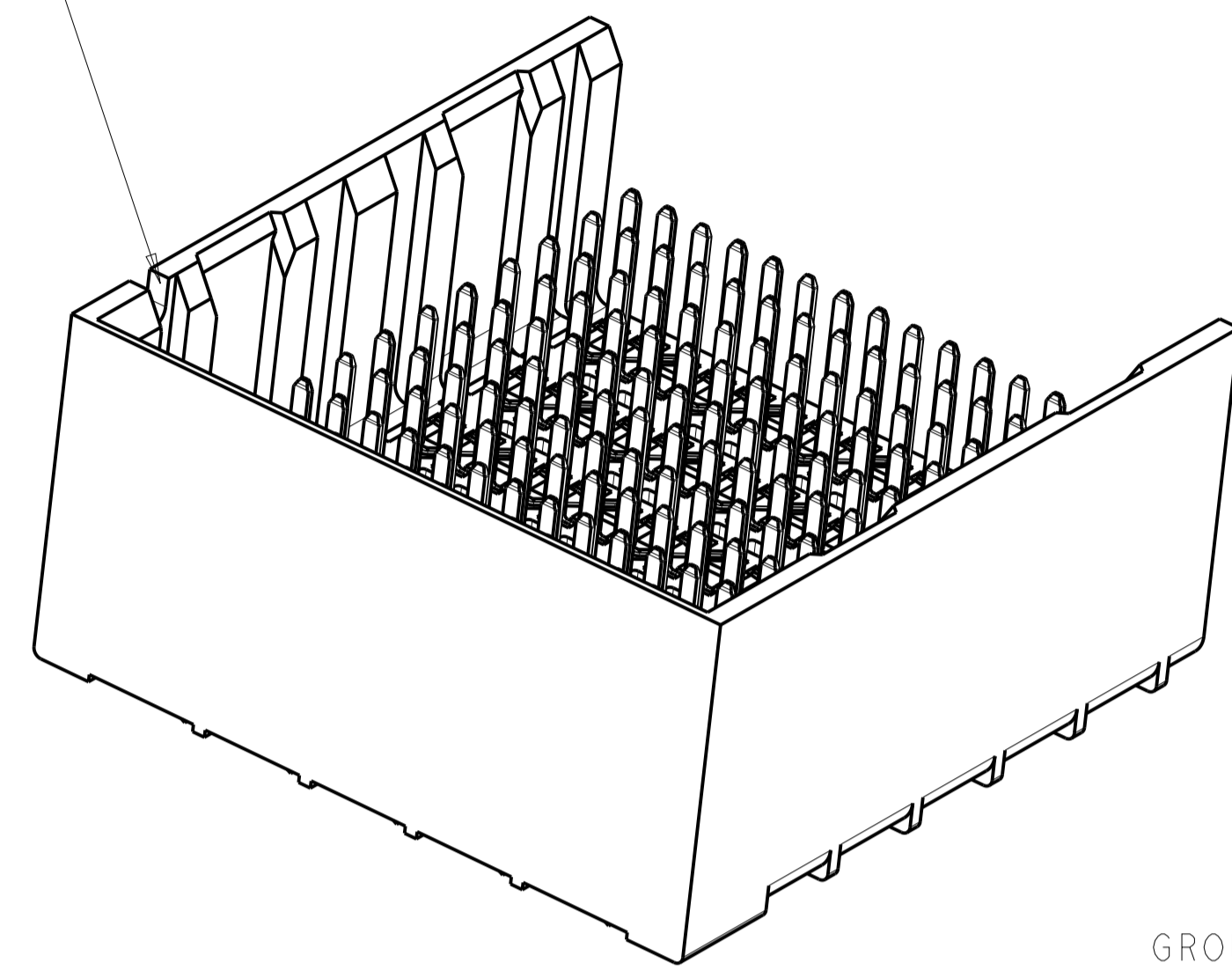


REVISIONS				
P.	LTN	DESCRIPTION	DATE	APV
B		REVISED PER ECO-14-013272	09SEP2014	AP DD

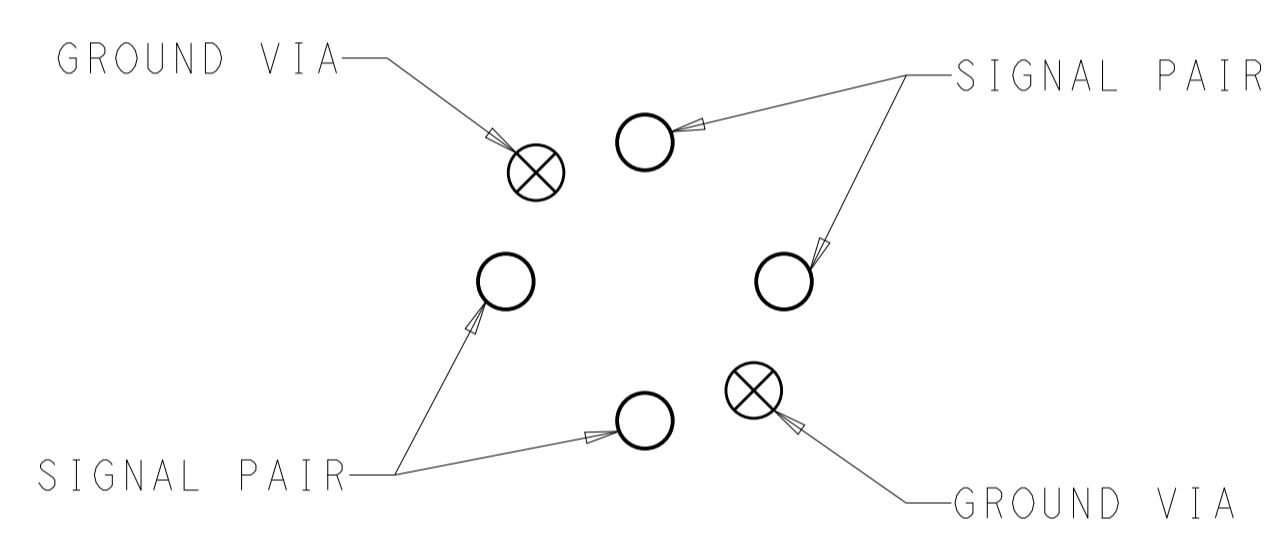


NOTCH DESIGNATES ROW A

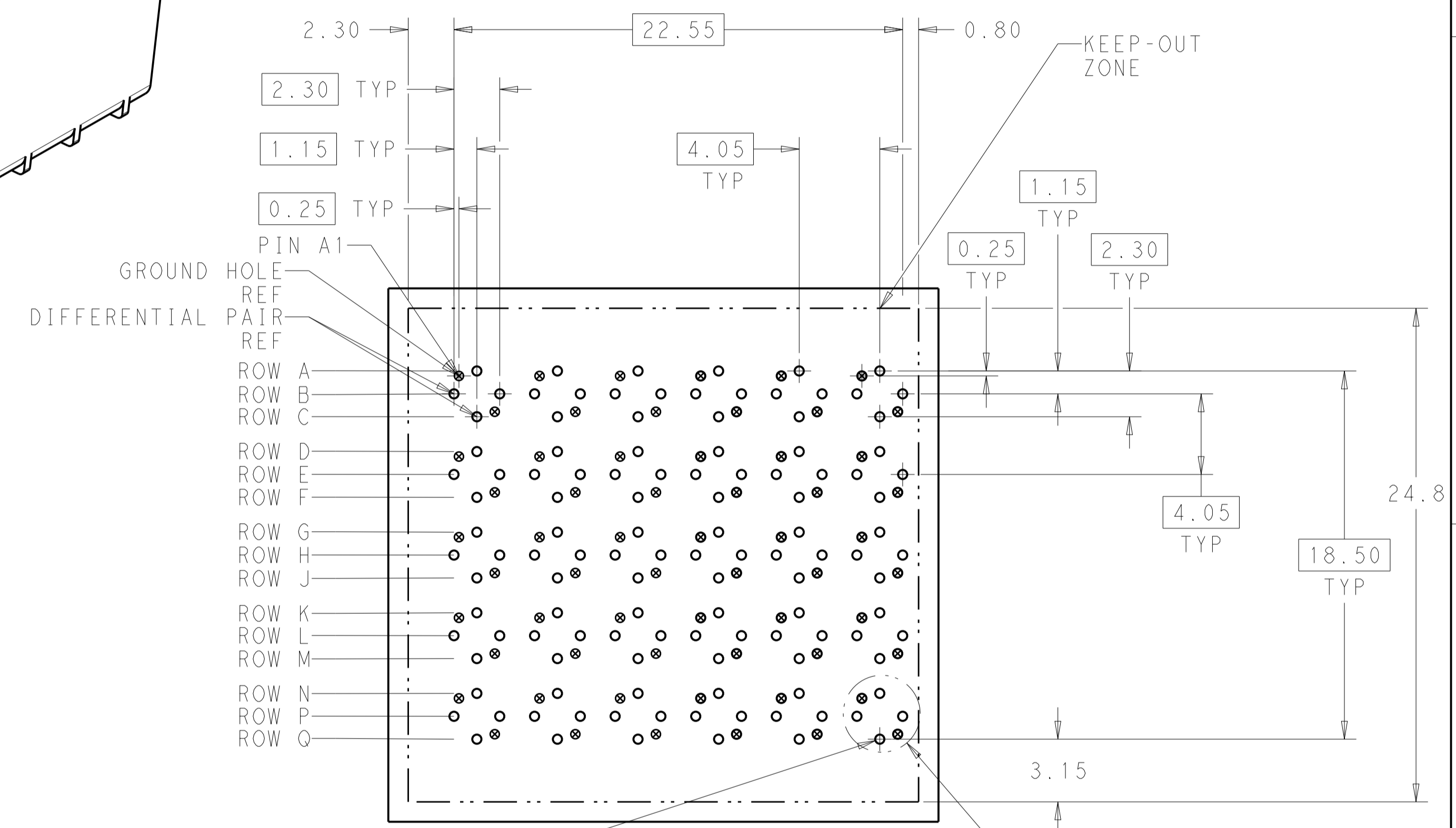


1 MATERIAL:
HOUSING: LCP, GLASS FILLED, UL94V-0.
TERMINALS: HIGH PERFORMANCE COPPER ALLOY.

2 FINISH:
30μ" MIN GOLD IN CONTACT AREA. SELECTIVE TIN ON PCB TAILS, NICKEL OVERALL.



DETAIL X
SCALE 16:1

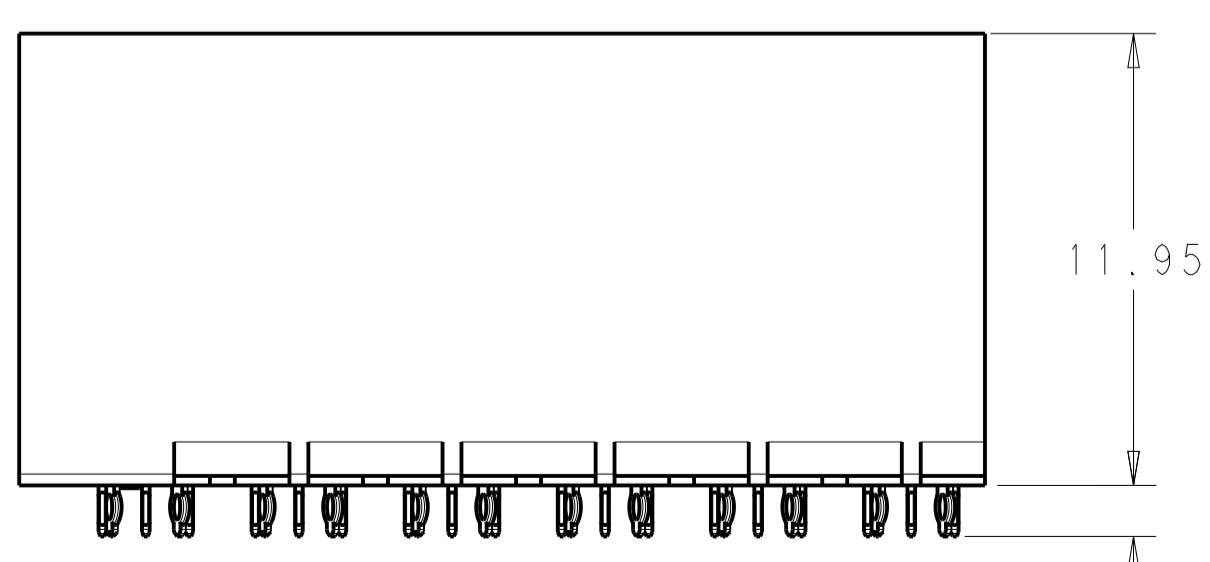


180X $\varnothing 0.46 \pm 0.08$
PLATED THRU HOLE

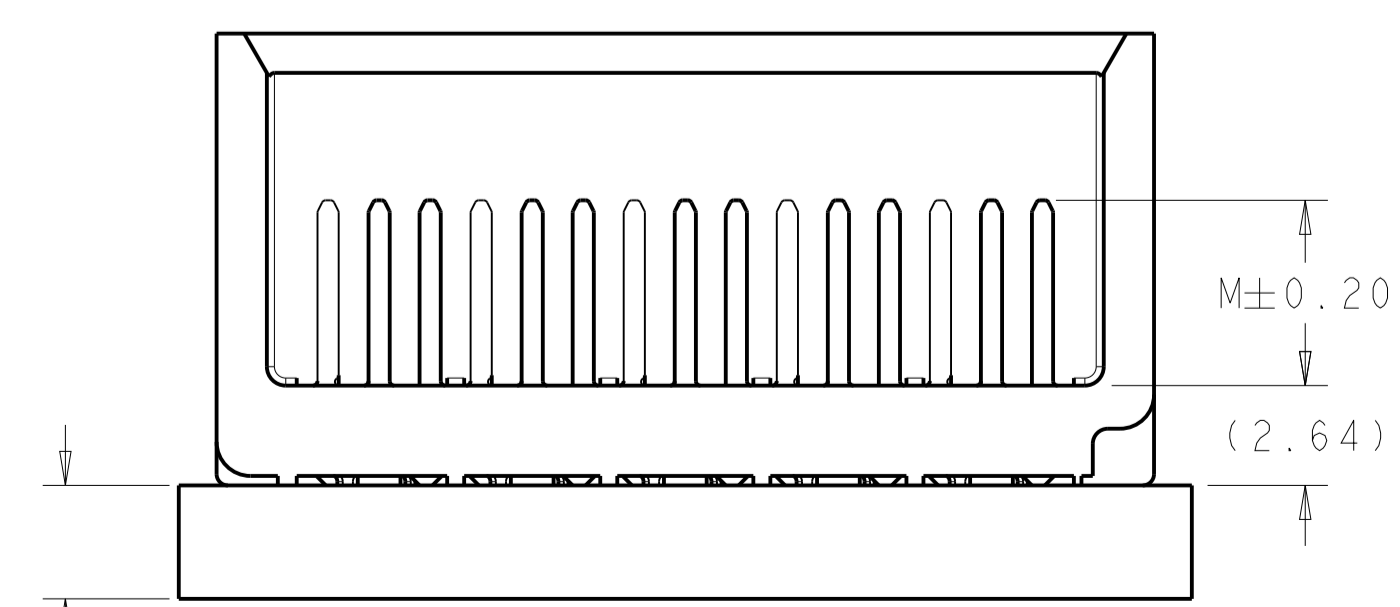
180X $\varnothing 0.55 \pm 0.013$
DRILL HOLE
 $\varnothing 0.10$

UNGUIDED
BACKPLANE HOLE PATTERN
(CONNECTOR SIDE)

REFER TO WWW.TE.COM
FOR PRODUCT AVAILABILITY



1.4 TAIL LENGTH



3.00
MINIMUM BOARD THICKNESS

FINISH	DIM M	PART NUMBER
2	5.5	2143631-2
2	4.9	2143631-1

THIS DRAWING IS A CONTROLLED DOCUMENT.		OWN: KIRAN HOLAL 01DEC2012	NAME: IMPACT, ORTHOGONAL, 5 PAIR, 12 COLUMN HEADER, UNGUIDED, LEFT END WALL SIGNAL MODULE, 0.46 PTH
DIMENSIONS: mm		CHK: D. DIXON 01DEC2012	PRODUCT SPEC: -
TOLERANCES UNLESS OTHERWISE SPECIFIED:		APV: D. DIXON 01DEC2012	APPLICATION SPEC: -
0 PLC ±		SIZE: -	RESTRICTED TO: -
1 PLC ±0.25		WEIGHT: -	SCALE: 5:1
2 PLC ±0.13		CUSTOMER DRAWING	SHEET 1 OF 1
3 PLC ±		SCALE: 5:1	REV B
4 PLC ±		SCALE: 5:1	REV B
ANGLES ±		SCALE: 5:1	REV B
FINISH: SEE TABLE		SCALE: 5:1	REV B

X-ON Electronics

Largest Supplier of Electrical and Electronic Components

Click to view similar products for [High Speed/Modular Connectors](#) category:

Click to view products by [TE Connectivity](#) manufacturer:

Other Similar products are found below :

[650827-1](#) [74040-1346](#) [1410191-1](#) [1410368-3](#) [1410964-2](#) [1410326-3](#) [1410367-3](#) [1410971-4](#) [1467833-1](#) [2000877-1](#) [2000878-1](#) [2041314-1](#)
[2065387-1](#) [2187307-1](#) [163P](#) [1934290-1](#) [2000875-1](#) [2065917-1](#) [2102736-2](#) [FSR-40](#) [2169868-2](#) [22354-8](#) [437-5040-000](#) [5-1393565-0](#) [039-](#)
[0246-000](#) [0761601016](#) [0784461022](#) [10123159-12ELF](#) [030-2415-003/100 PK](#) [030-7380-004](#) [030-2494-001](#) [532939-1](#) [5532901-3](#) [3-1469268-](#)
[7](#) [74748-102LF](#) [10041743-101LF](#) [10066670-100002LF](#) [1-533915-1](#) [249-4515-000](#) [7-1469373-3](#) [DL2-2J/S](#) [2000713-8](#) [2000713-7](#)
[10124313-101LF](#) [3011-21](#) [757105208](#) [EBTF-4-10-2.0-S-RA-1](#) [430305-001](#) [4395800100](#) [8140115](#)