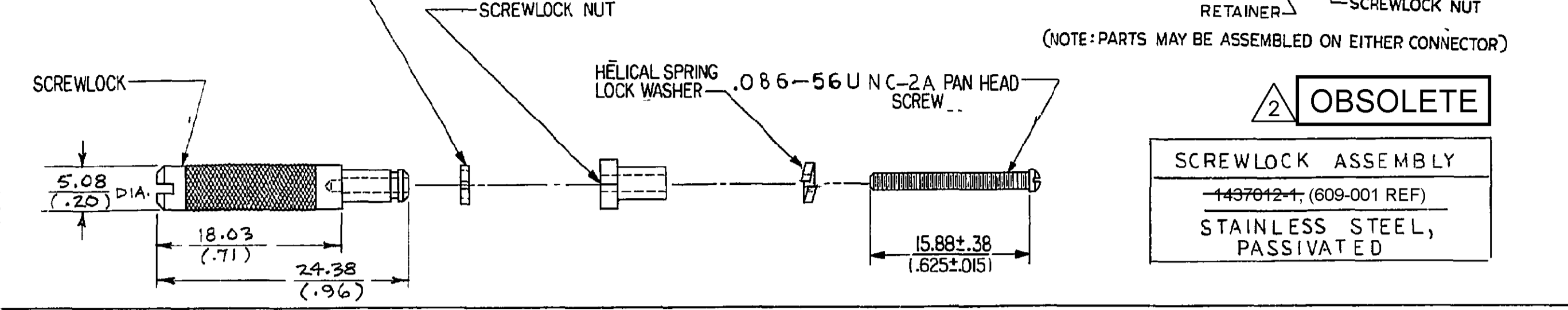
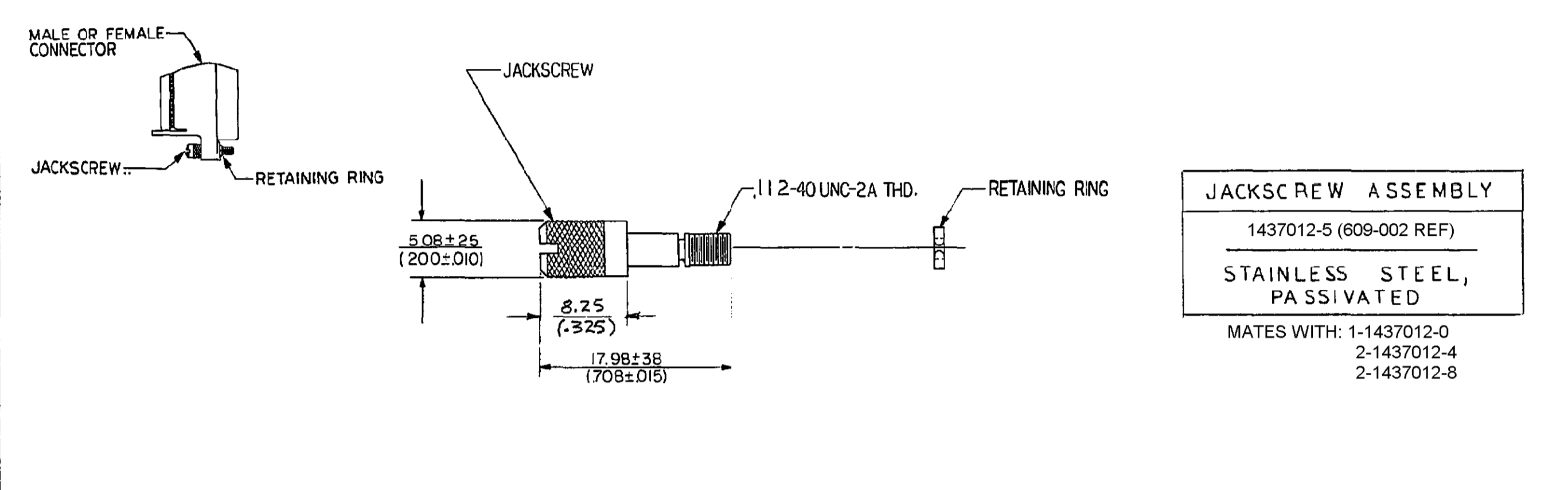


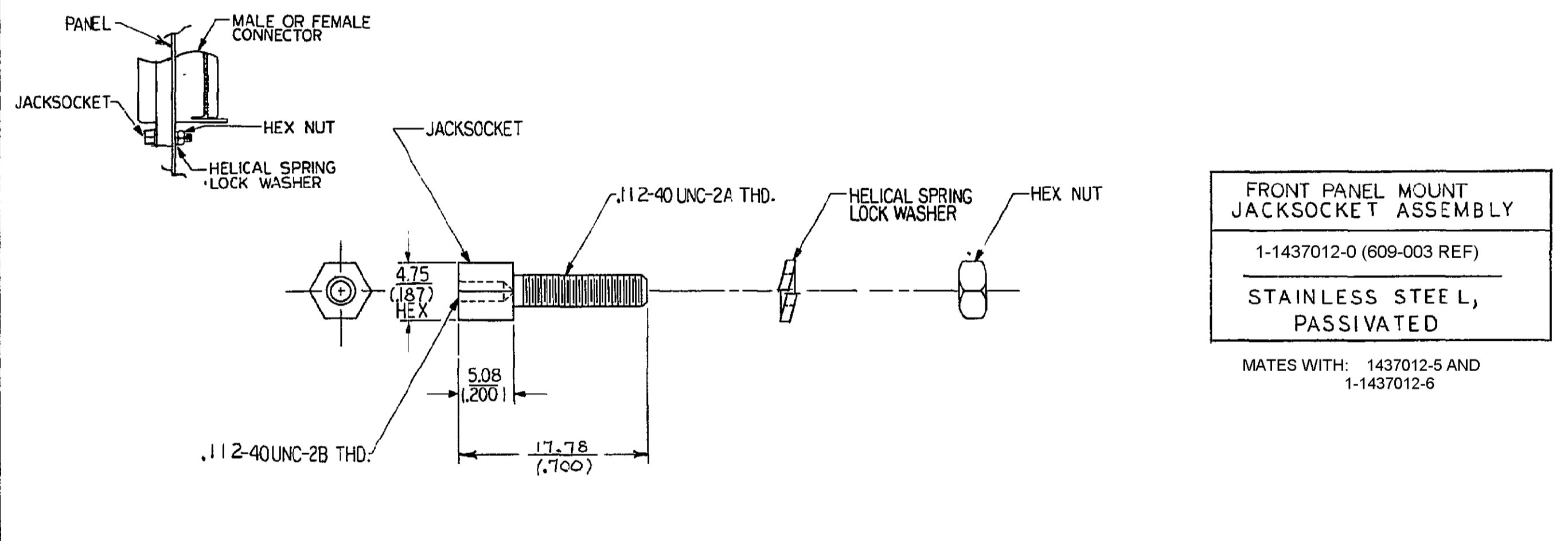
This document involves proprietary design rights of T & B/Amstat Corporation, and all design, manufacturing, reproduction, use and sale rights regarding the same are expressly reserved. It is submitted for a specific purpose and the recipient, by accepting this document, assumes custody and control and agrees to take reasonable precautions to prevent this document from being copied and reproduced in whole or in part, nor its contents revealed in any manner or to any person except to meet the purpose for which it was delivered and (b) that any special features peculiar to this design will not be incorporated in other projects without the expressed permission of T & B/Amstat Corporation.



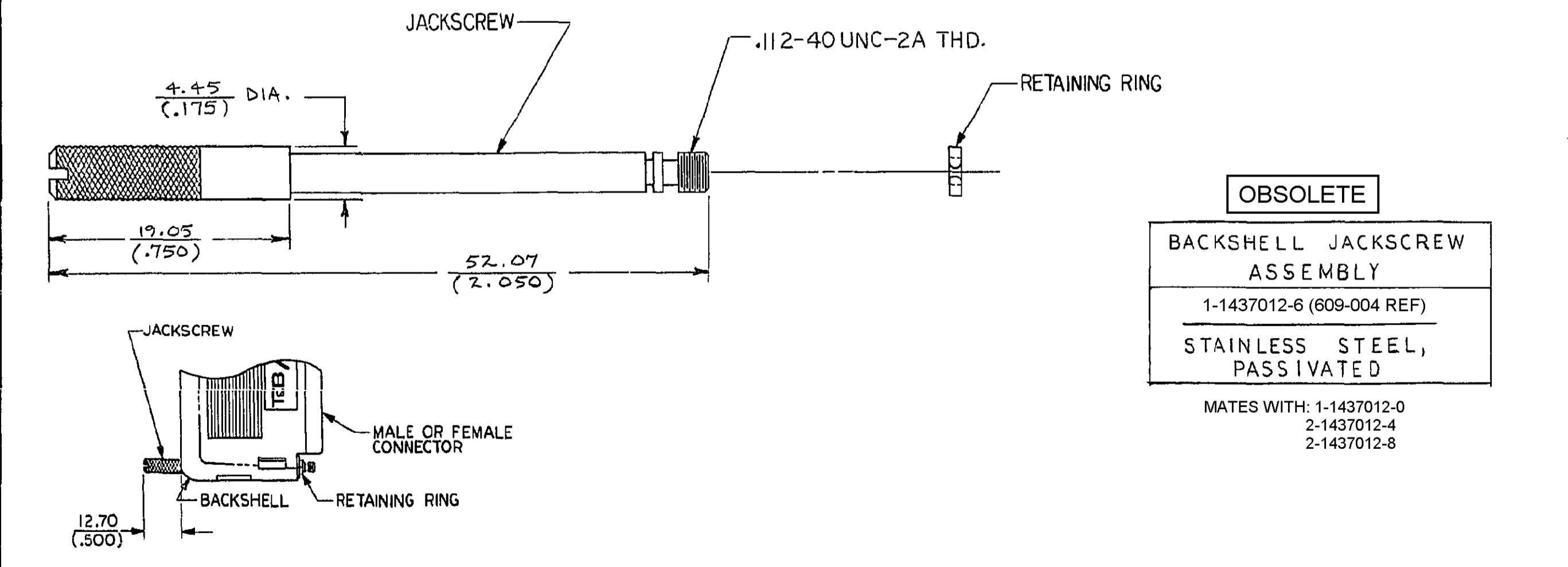
2 OBSOLETE
SCREWLOCK ASSEMBLY
 1-1437012-1 (609-001 REF)
 STAINLESS STEEL, PASSIVATED



JACKSCREW ASSEMBLY
 1437012-5 (609-002 REF)
 STAINLESS STEEL, PASSIVATED
 MATES WITH: 1-1437012-0
 2-1437012-4
 2-1437012-8

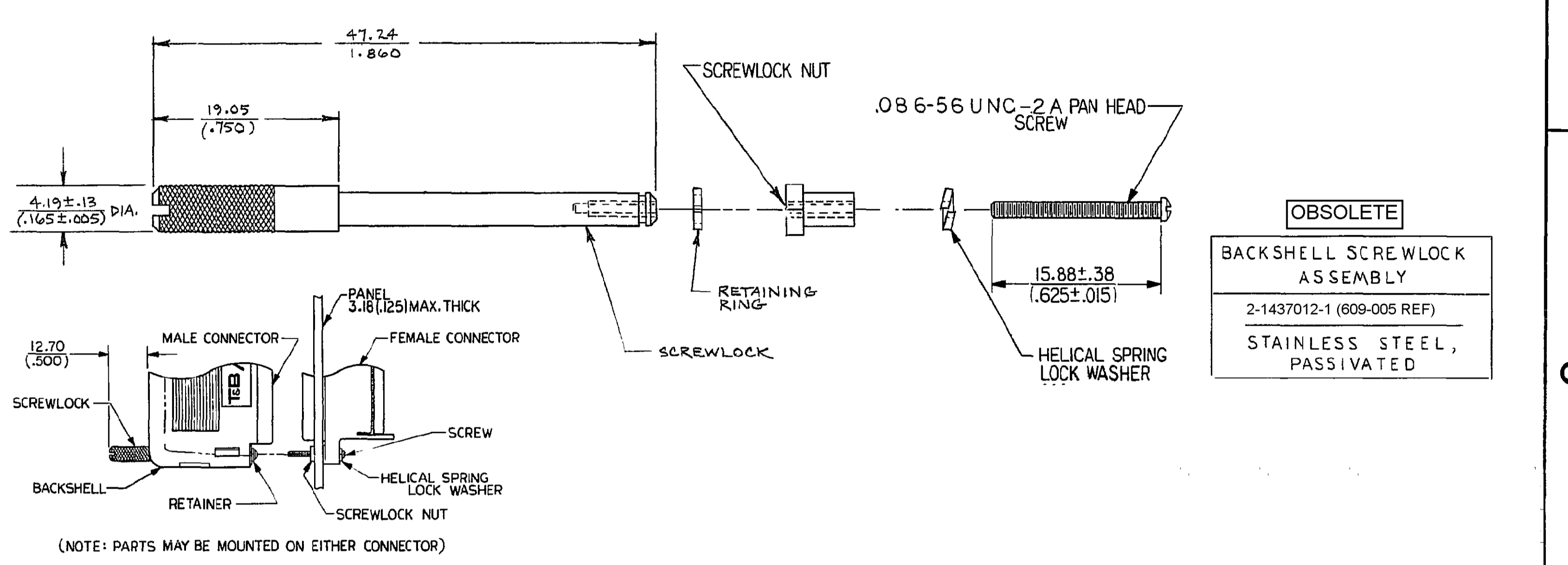


FRONT PANEL MOUNT JACKSOCKET ASSEMBLY
 1-1437012-0 (609-003 REF)
 STAINLESS STEEL, PASSIVATED
 MATES WITH: 1437012-5 AND 1-1437012-6

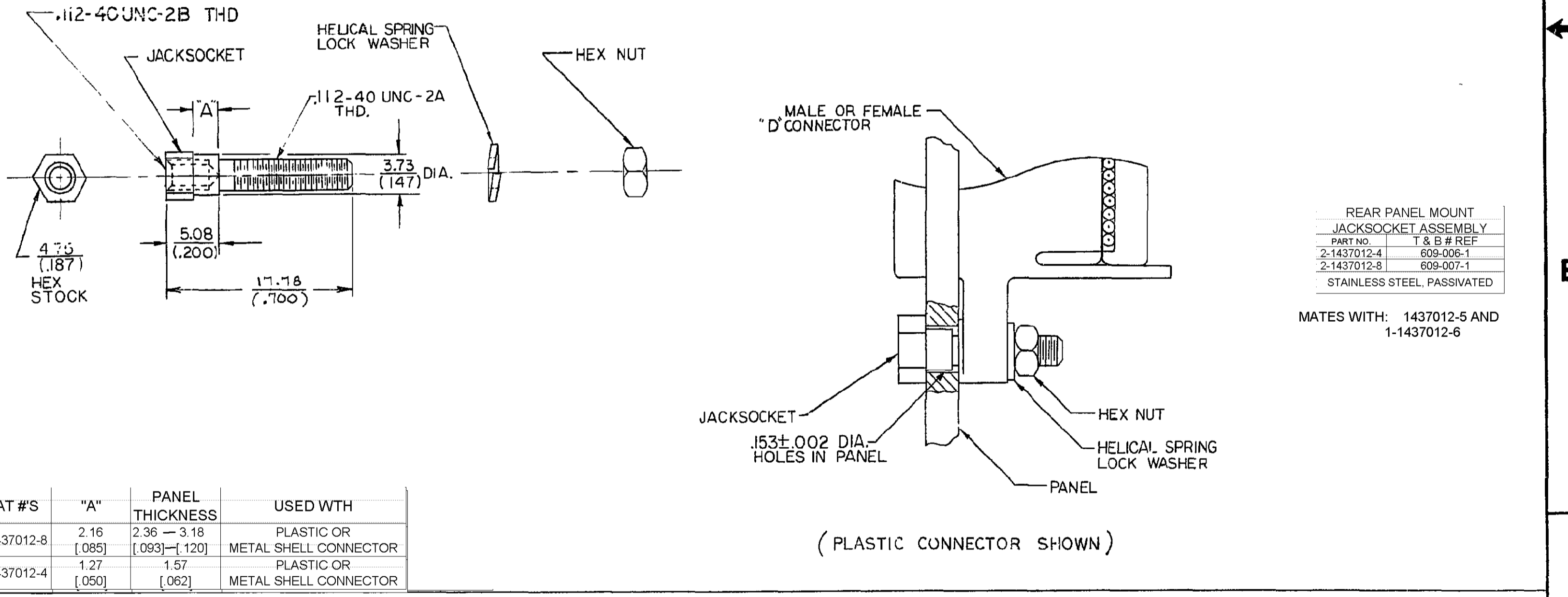


OBSOLETE
BACKSHELL JACKSCREW ASSEMBLY
 1-1437012-6 (609-004 REF)
 STAINLESS STEEL, PASSIVATED
 MATES WITH: 1-1437012-0
 2-1437012-4
 2-1437012-8

1. HARDWARE SHOWN IS COMPATIBLE WITH FORMER T&B BACKSHELLS AND CONNECTORS ONLY.
 2. OBSOLETE PARTS: OBSOLETE CIS STREAMLINING PER D.RENAUD/D.SINISI



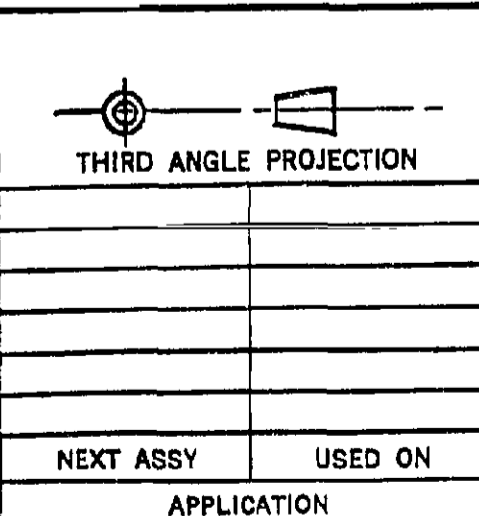
OBSOLETE
BACKSHELL SCREWLOCK ASSEMBLY
 2-1437012-1 (609-005 REF)
 STAINLESS STEEL, PASSIVATED



REAR PANEL MOUNT JACKSOCKET ASSEMBLY
 PART NO. T & B REF
 2-1437012-4 609-006-1
 2-1437012-8 609-007-1
 STAINLESS STEEL, PASSIVATED
 MATES WITH: 1437012-5 AND 1-1437012-6

| CAT #S | "A" | PANEL THICKNESS | USED WITH |
|-------------|----------------|--------------------------------|----------------------------------|
| 2-1437012-8 | 2.16 (.085) | 2.36 - 3.18 [.093] - [1.20] | PLASTIC OR METAL SHELL CONNECTOR |
| 2-1437012-4 | 1.27 (.050) | 1.57 [.062] | PLASTIC OR METAL SHELL CONNECTOR |

| | | | | |
|-----|---------------------------|---------|-----|------|
| P | REVISED PER ECO-11-004835 | 21MAR11 | RK | HMR |
| REV | REVISION RECORD | DATE | DWN | APVD |



UNLESS OTHERWISE SPECIFIED, DIMENSIONS ARE IN M.M.(INCHES)
 TOLERANCES —
 FRACTIONS =
 ANGLES =
 DECIMALS .XX (.XXX) ±
 X (.XX) ±

| FIND NO. | QTY REQD | CODE IDENT | PART NO. | DESCRIPTION | ZONE |
|-------------------|----------|------------|----------|-------------|------|
| LIST OF MATERIALS | | | | | |
| DRAWN | | | | | |
| CHECKED | | | | | |
| APPROVED | | | | | |
| APPROVED | | | | | |
| APPROVED | | | | | |

STE TE Connectivity

TITLE
D CONNECTOR MOUNTING ACCESSORY HARDWARE

| | | | |
|------|----------------|-----------|------|
| SIZE | CODE IDENT NO. | NUMBER | REV. |
| D | 15912 | 1437012-1 | P |

SCALE: N T S Customer Drawing SHEET OF

X-ON Electronics

Largest Supplier of Electrical and Electronic Components

Click to view similar products for [D-Sub Tools & Hardware](#) category:

Click to view products by [TE Connectivity](#) manufacturer:

Other Similar products are found below :

[173112-0667](#) [173112-0759](#) [173112-0967](#) [173112-0291](#) [173112-0456](#) [000-01-09-132](#) [000-01-21-132](#) [000-01-31-162](#) [572019-00105-70](#)
[000-01-37-162](#) [621-250-113-115](#) [D20418-2R](#) [D20418-J3F](#) [70521CLF](#) [70524BLF](#) [70527BLF](#) [70527CLF](#) [F1042-1PLAH](#) [750643-1](#) [780-010-06G4-00C](#) [780-518-50SG6-WS](#) [863004ATLF](#) [86552009](#) [86553115TLF](#) [86553117TLF](#) [86553156LF](#) [FSGK1/5](#) [980-8554-000](#) [980-8555-000](#)
[980-8557-000](#) [980-8558-000](#) [1230032-1](#) [1-5021101-2](#) [15-000050](#) [1589283-4](#) [160-000-005R031](#) [16-000230](#) [160-020-109R000](#) [160-025-004R031](#) [160-015-003R031](#) [160-020-209R000](#) [160X10909X](#) [164C03939A](#) [177-505-A-2-2](#) [177-505-C-4-4](#) [179-013-1H](#) [1-966830-8](#) [21018-621028-3](#) [213622-5](#)