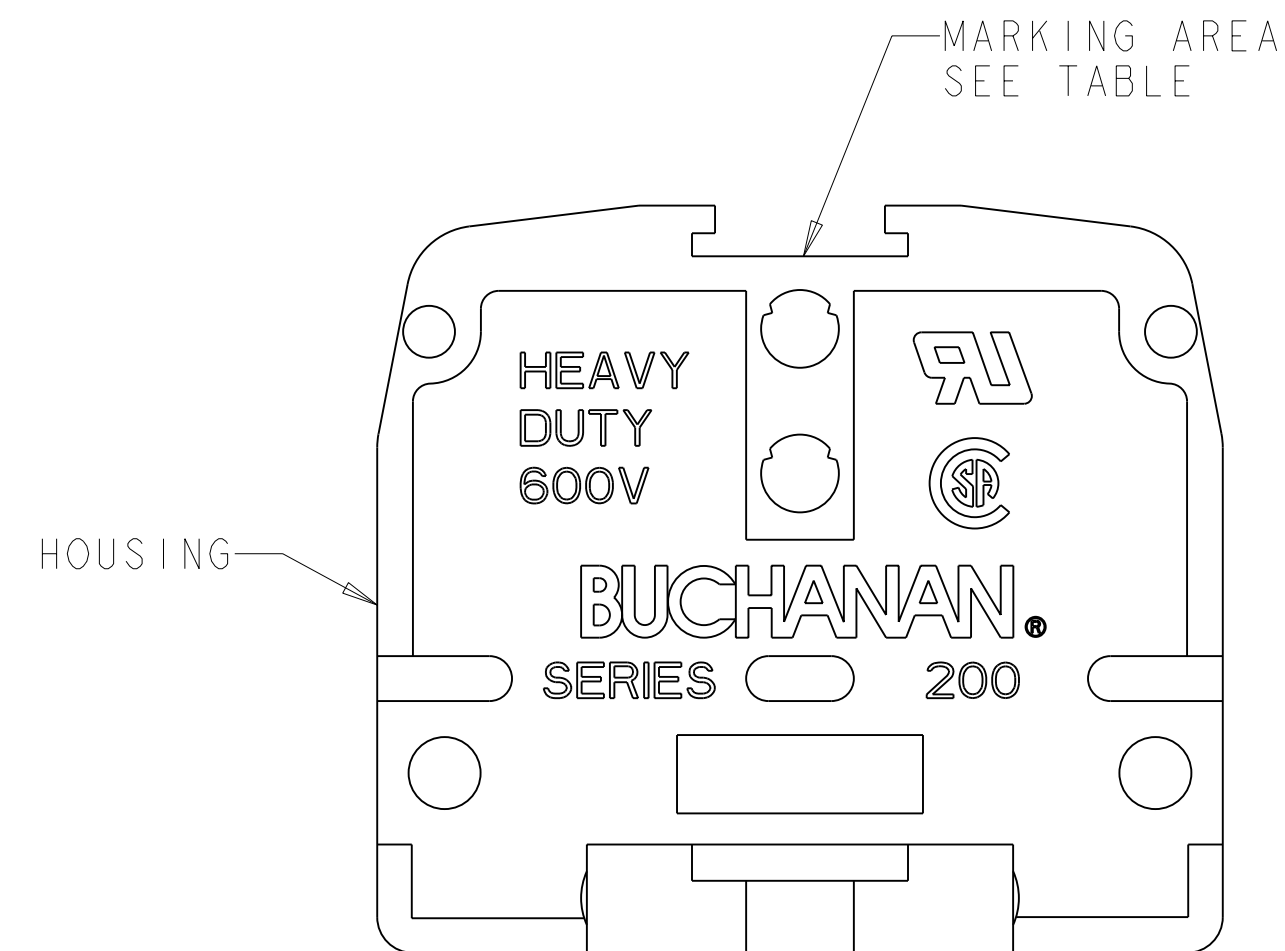
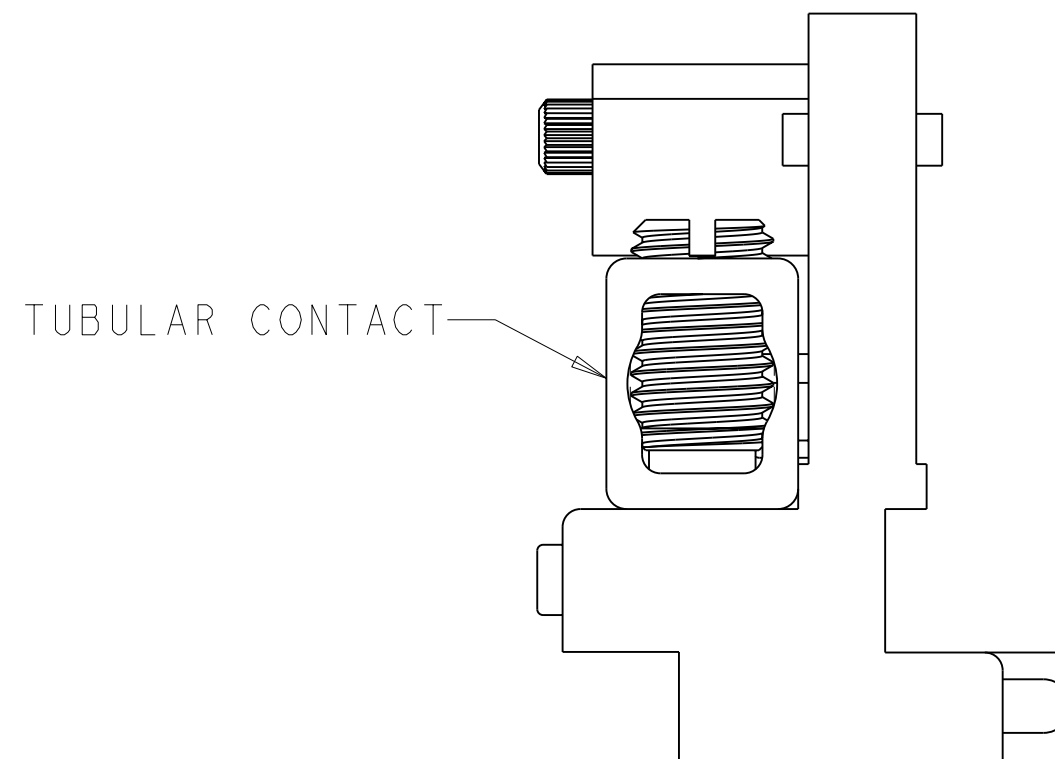
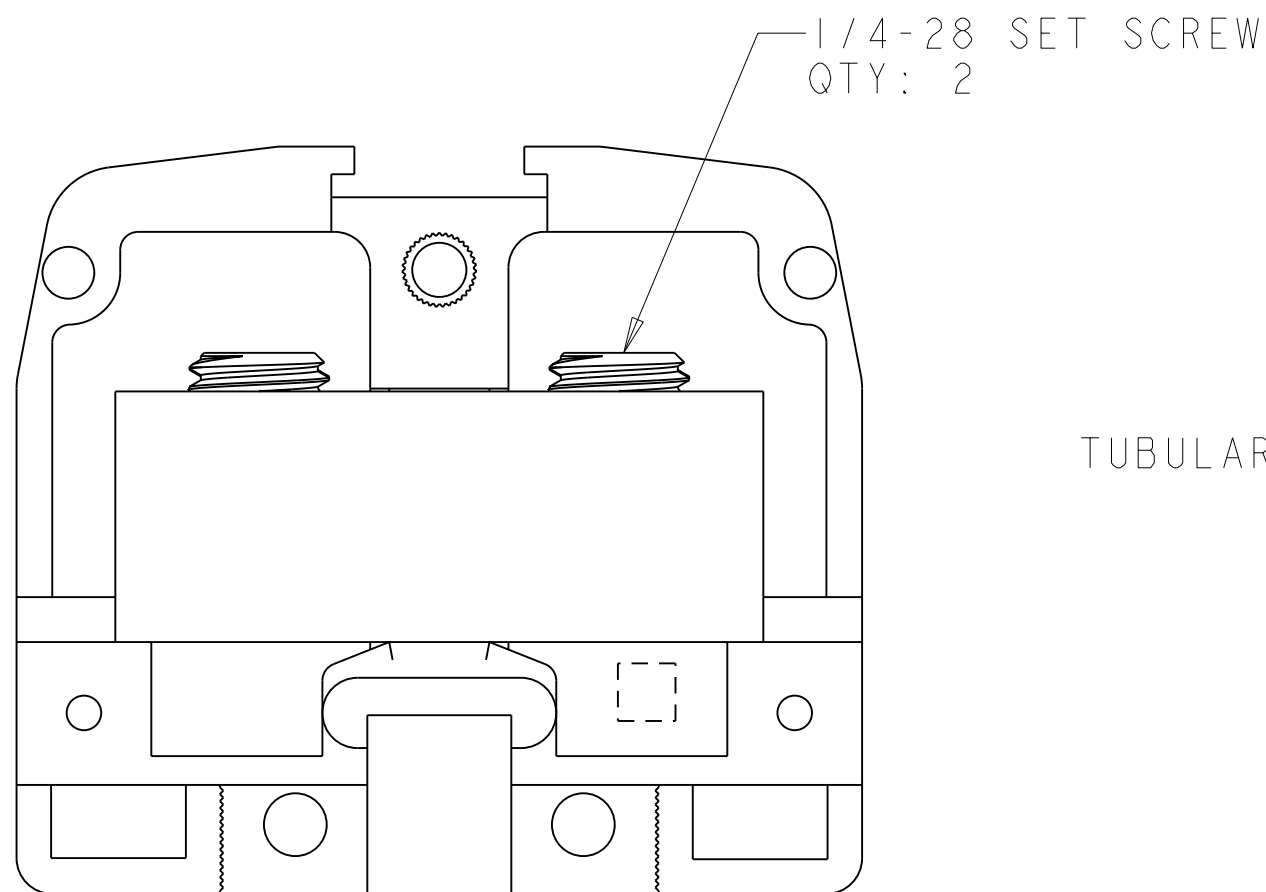
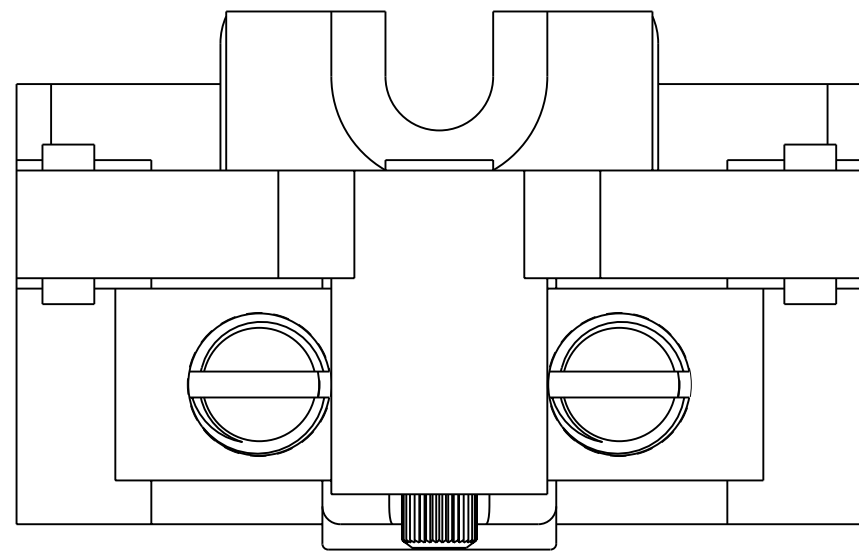


THIS DRAWING IS UNPUBLISHED. RELEASED FOR PUBLICATION 20
 © COPYRIGHT 20 BY TYCO ELECTRONICS CORPORATION. ALL RIGHTS RESERVED.

LOC	DIST	REVISIONS					
FT	0	P	LTR	DESCRIPTION	DATE	DWN	APVD
			A	RELEASED	27SEP2005	SW	SY



- PHYSICAL PROPERTIES
 HOUSING: PHENOLIC, UL 94V-1 RATED, COLOR: BLACK.
 TUBULAR CONTACT: COPPER ALLOY, ZINC PLATED.
 SET SCREW: STEEL, ZINC PLATED CLEAR NON-HEXAVALENT CHROMATE.
- MECHANICAL
 PITCH: .560
 MOUNTING: DIRECT MOUNT.
 OPERATING TEMPERATURE: 150°C MAX.
 TORQUE: RECOMMENDED TIGHTENING TORQUE IS 35 IN-LBS.
- ELECTRICAL
 MAXIMUM CURRENT: 85A
 OPERATING VOLTAGE: 600 V
 WIRE RANGE: 4-18 AWG.

PAINTED WHITE	222-BU	3-1437390-3
PLAIN	212	1447502-1
MARKING AREA	CATALOG NUMBER	PART NUMBER

<small>THIS DRAWING IS A CONTROLLED DOCUMENT FOR TYCO ELECTRONICS CORPORATION IT IS SUBJECT TO CHANGE AND THE CONTROLLING ENGINEERING ORGANIZATION SHOULD BE CONTACTED FOR THE LATEST REVISION.</small>		DWN S. WELDON	27SEP2005	BUCHANAN Tyco Electronics Harrisburg, PA 17105-3608
DIMENSIONS: INCHES		CHK S. YODER	27SEP2005	
		APVD S. YODER	27SEP2005	
TOLERANCES UNLESS OTHERWISE SPECIFIED: 0 PLC ±. 1 PLC ±0.1 2 PLC ±0.05 3 PLC ±0.020 4 PLC ±0.0000 ANGLES ±		PRODUCT SPEC		
MATERIAL		APPLICATION SPEC		NAME ASSEMBLY, TERMINAL BLOCK, NEMA, FLAT BASE, HEAVY DUTY, PHENOLIC, TUBULAR SCREW TUBULAR SCREW
FINISH		WEIGHT		SIZE A200779
		CUSTOMER DRAWING		CAGE CODE C=2-1437390-8
				DRAWING NO C=2-1437390-8
				RESTRICTED TO
				SCALE 3:1
				SHEET 1 OF 1
				REV A

X-ON Electronics

Largest Supplier of Electrical and Electronic Components

Click to view similar products for [DIN Rail Terminal Blocks](#) category:

Click to view products by [TE Connectivity](#) manufacturer:

Other Similar products are found below :

[00110420202](#) [8WA1011-1BH23](#) [8WA1011-1EF20](#) [91.010](#) [9102100000](#) [91.040](#) [9123140000](#) [9123140001](#) [RBO 5-T-B-HEX](#) [1333564](#) [DP25-GY-ND](#) [1431306](#) [1433306](#) [HSL-TB64-DIN](#) [90.070](#) [91.020](#) [912314](#) [260-301_NR](#) [2757571](#) [280-331](#) [280-560](#) [280-564](#) [281-611/281-542](#) [281-673/281-411](#) [281-994](#) [283-317](#) [283-607](#) [2909798](#) [264-724](#) [264-726](#) [280-530](#) [280-555](#) [280-619](#) [281-610](#) [281-622/281-417](#) [284-317](#) [284-601](#) [2907033](#) [3048496](#) [5542152](#) [35956](#) [USK 10](#) [102510](#) [1025100000](#) [5520682](#) [5607102](#) [EMH 25-ZE30](#) [591620-2](#) [UM 45-SEFE](#) [M.NUT BK](#) [1-591651-1](#)