

THIS DRAWING IS UNPUBLISHED. RELEASED FOR PUBLICATION  
 © COPYRIGHT BY TYCO ELECTRONICS CORPORATION. ALL INTERNATIONAL RIGHTS RESERVED.

| LOC |    | DIST |     | REVISIONS                 |         |     |      |
|-----|----|------|-----|---------------------------|---------|-----|------|
| AD  | 00 | P    | LTR | DESCRIPTION               | DATE    | DWN | APVD |
|     |    | A1   |     | REVISED PER ECO-10-000290 | 07JAN11 | HMR | MW   |

SPECIFICATIONS:

MATERIALS:

MOVING CONTACT: COPPER ALLOY, GOLD PLATE OVER SILVER CLAD.  
 FIXED CONTACT: COPPER ALLOY, GOLD PLATE OVER SILVER CLAD.

ELECTRICAL:

CONTACT RATING: 0.4VA @ 20VDC OR PEAK AC.  
 5 AMPS @ 250VAC OR 24VDC ( RESISTIVE ).  
 INITIAL CONTACT RESISTANCE: 20 MILLIOHMS MAX.  
 INSULATION RESISTANCE: 100 MEGOHMS MINIMUM.  
 DIELECTRIC STRENGTH: 1500 VOLTS RMS @ SEA LEVEL.  
 LIFE EXPECTANCY: 100,000 CYCLES.

ENVIRONMENTAL:

OPERATING TEMPERATURE: -4°F TO +122°F (-20°C TO +50°C)  
 STORAGE TEMPERATURE: -4°F TO +122°F (-20°C TO +50°C)

- INTERPRET DRAWING PER ASME Y14.5M-1994.
- OILTIGHT MODELS MEET NEMA 1, 12, 13 REQUIREMENTS.
- UL RECOGNIZED E-51302.
- PANEL THICKNESS: NON-OILTIGHT = 0.230 MAX.  
OILTIGHT = 0.210 MAX.

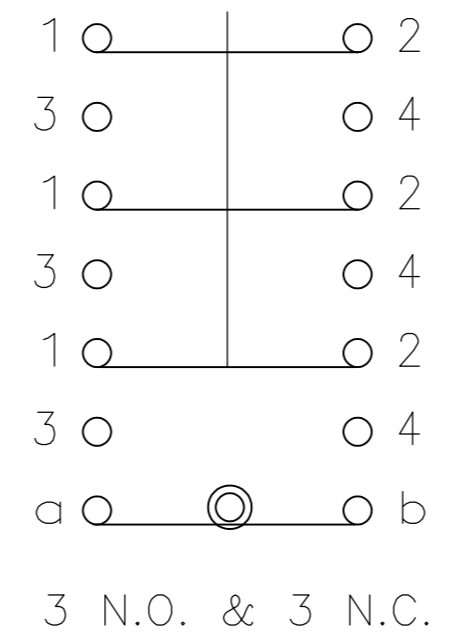
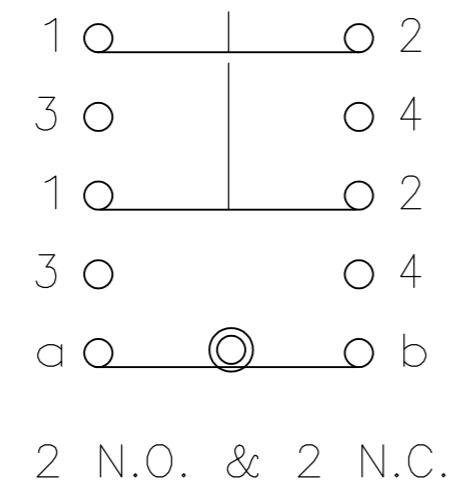
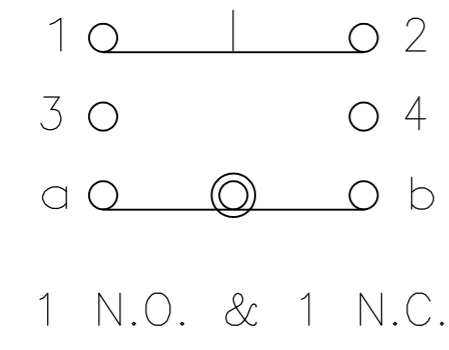
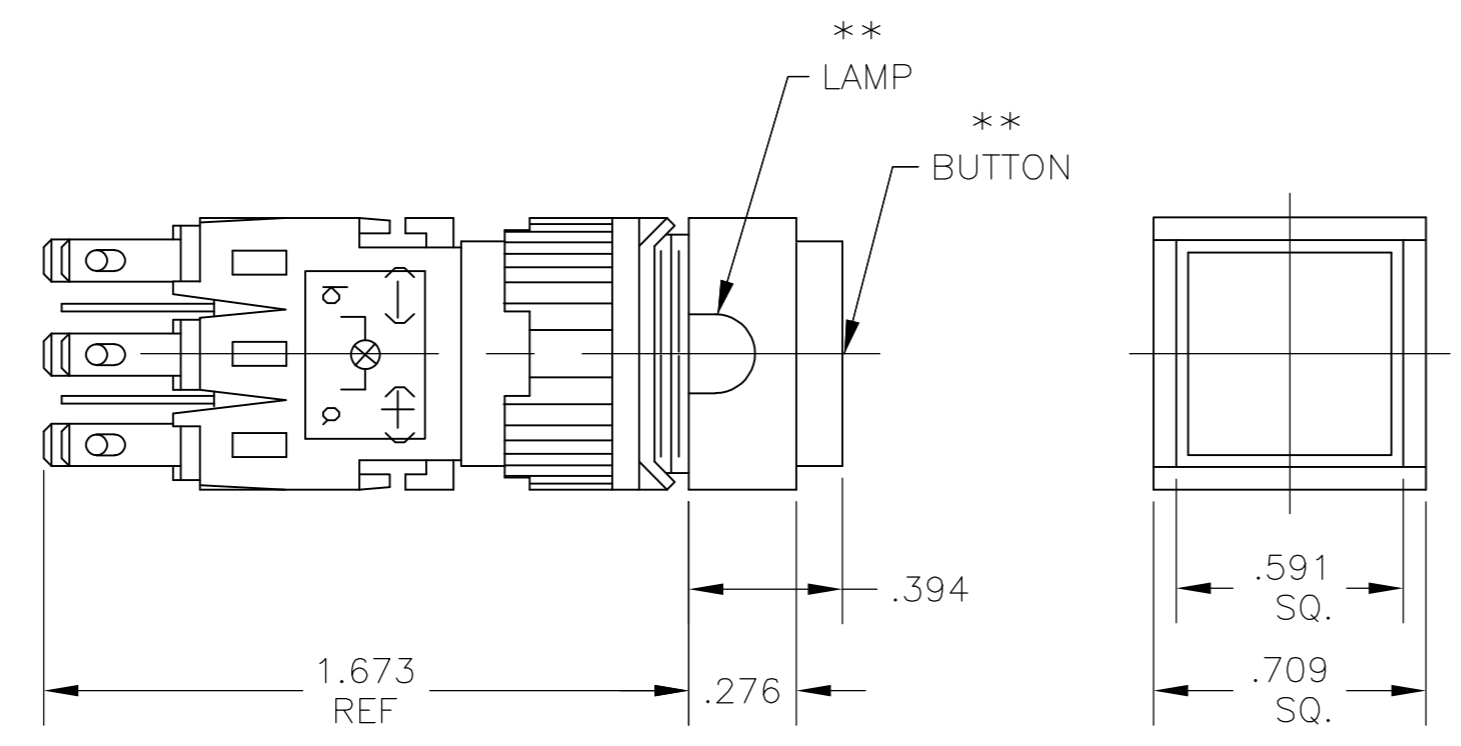
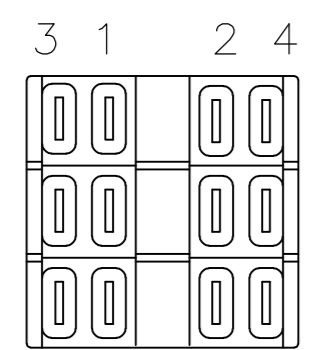


THE PLATINGS CONTAINED IN THIS PART SHALL CONTAIN NO LEAD.

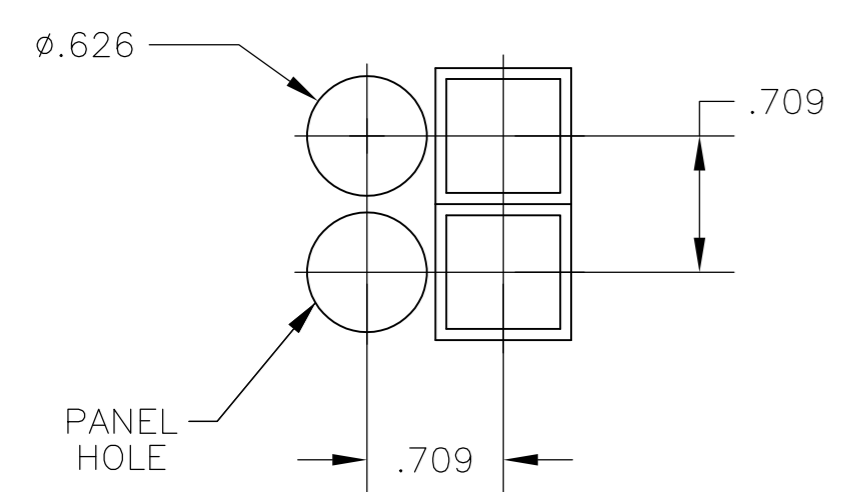


PRELIMINARY PART, NOT RELEASED FOR PRODUCTION.

\*\* ORDER BUTTON AND LAMP SEPARATELY: SEE  
 DWG NO'S 80810 & 80811



CONTACT DIAGRAM  
 (BUTTON NOT DEPRESSED)



PANEL CUTOUT  
 SCALE: 1/1  
 TOLERANCE +/- .002

|             |          |  |   |   |               |                  |
|-------------|----------|--|---|---|---------------|------------------|
| 1571544-5   | 165SL533 |  | 5 | 6 | 3 N.O. & N.C. | PUSH ON/PUSH OFF |
| 1571544-4   | 164SL522 |  | 5 | 6 | 2 N.O. & N.C. | PUSH ON/PUSH OFF |
| 1571544-3   | 164SL511 |  | 5 | 6 | 1 N.O. & N.C. | PUSH ON/PUSH OFF |
| 1571544-2   | 164SL22  |  | 5 | 6 | 2 N.O. & N.C. | MOMENTARY        |
| 1571544-1   | 164SL11  |  | 5 | 6 | 1 N.O. & N.C. | MOMENTARY        |
|             | 165SL533 |  |   |   | 3 N.O. & N.C. | PUSH ON/PUSH OFF |
| 5-1437569-2 | 165SL522 |  |   |   | 2 N.O. & N.C. | PUSH ON/PUSH OFF |
| 5-1437569-1 | 165SL511 |  |   |   | 1 N.O. & N.C. | PUSH ON/PUSH OFF |
|             | 165SL33  |  |   |   | 3 N.O. & N.C. | MOMENTARY        |
| 5-1437569-0 | 165SL22  |  |   |   | 2 N.O. & N.C. | MOMENTARY        |
| 4-1437569-9 | 165SL11  |  |   |   | 1 N.O. & N.C. | MOMENTARY        |
| 3-1437569-1 | 164SL533 |  |   |   | 3 N.O. & N.C. | PUSH ON/PUSH OFF |
| 3-1437569-0 | 164SL522 |  |   |   | 2 N.O. & N.C. | PUSH ON/PUSH OFF |
| 2-1437569-9 | 164SL511 |  |   |   | 1 N.O. & N.C. | PUSH ON/PUSH OFF |
| 2-1437569-8 | 164SL5   |  |   |   | -             | PUSH ON/PUSH OFF |
| 2-1437569-7 | 164SL33  |  |   |   | 3 N.O. & N.C. | MOMENTARY        |
| 2-1437569-6 | 164SL22  |  |   |   | 2 N.O. & N.C. | MOMENTARY        |
| 2-1437569-5 | 164SL11  |  |   |   | 1 N.O. & N.C. | MOMENTARY        |
| 2-1437569-4 | 164SL    |  |   |   | -             | MOMENTARY        |

| TE PART No.                            | MODEL NON OILTIGHT | MODEL OILTIGHT                         | COMMENTS | CONTACTS         | ACTION |
|--|--------------------|--|----------|------------------|--------|
| THIS DRAWING IS A CONTROLLED DOCUMENT. |                    |  |          |                  |        |
| DIMENSIONS: INCHES                     |                    | TOLERANCES UNLESS OTHERWISE SPECIFIED: |          | DWN LM 3-21-89   |        |
| 0 PLC ± -                              |                    | 1 PLC ± -                              |          | CHK CF 3-22-89   |        |
| 2 PLC ± -                              |                    | 3 PLC ± .010                           |          | APVD TH 3-21-89  |        |
| 4 PLC ± -                              |                    | ANGLES ± -                             |          | PRODUCT SPEC     |        |
| MATERIAL                               |                    | FINISH                                 |          | APPLICATION SPEC |        |
|  |                    |  |          | WEIGHT           |        |
|  |                    |  |          | SIZE             |        |
|  |                    |  |          | CAGE CODE        |        |
|  |                    |  |          | DRAWING NO       |        |
|  |                    |  |          | RESTRICTED TO    |        |
|  |                    |  |          | SCALE            |        |
|  |                    |  |          | SHEET            |        |
|  |                    |  |          | REV              |        |

REF AUGAT 80864

## X-ON Electronics

Largest Supplier of Electrical and Electronic Components

*Click to view similar products for [Pushbutton Switches](#) category:*

*Click to view products by [TE Connectivity](#) manufacturer:*

Other Similar products are found below :

[LW1L-M1C10V-A](#) [LW2L-A1C20M-GD](#) [LW2L-M1C20M-A](#) [60324L](#) [M7E-HRN2](#) [67021K512](#) [67081K512X](#) [701PB580](#) [719-5504-000](#)  
[MDPSSGLFS](#) [810KSV30B](#) [MML21KA3ABK](#) [MML23KA3AC05K-001](#) [MML23KW3AA01W](#) [8418K2](#) [8646AB6X718UL](#) [8646ABUL](#)  
[FSDWH](#) [9001KXRK](#) [9001T8BK](#) [9533CD4+U574+U4922](#) [1203MRA](#) [A22EM01S](#) [A595](#) [1202A6](#) [12037A2ULCSA](#) [1203A2UL](#) [ABD122N-](#)  
[B](#) [1211390004](#) [ABN111-Y](#) [ABN400-R](#) [1211500044](#) [1211580012](#) [1212MRA](#) [1232A6NF](#) [RA3CSH6A](#) [1241.1183.7047](#) [1241.2511](#)  
[1241.3428](#) [1223A2ULCSA](#) [1223MRA](#) [1232AX2119](#) [1241.1183.8000](#) [1241.1183.8029](#) [1241.2506](#) [1241.2606](#) [12MA6](#) [1301940184](#)  
[RELBARF6X10\(PLASTIC\)](#) [13435AG](#)