

4

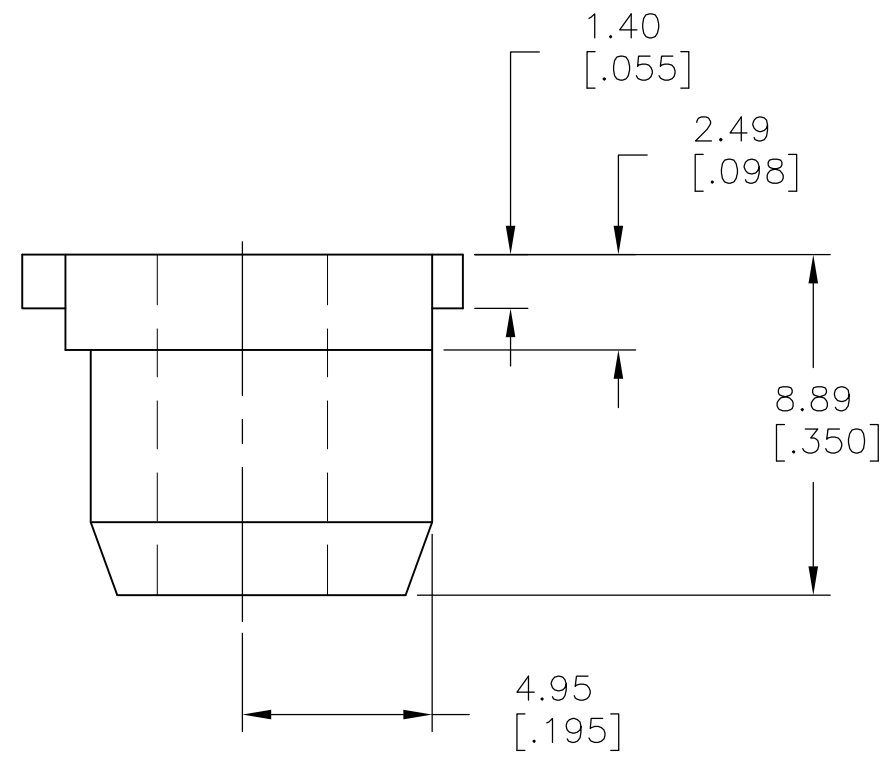
3

2

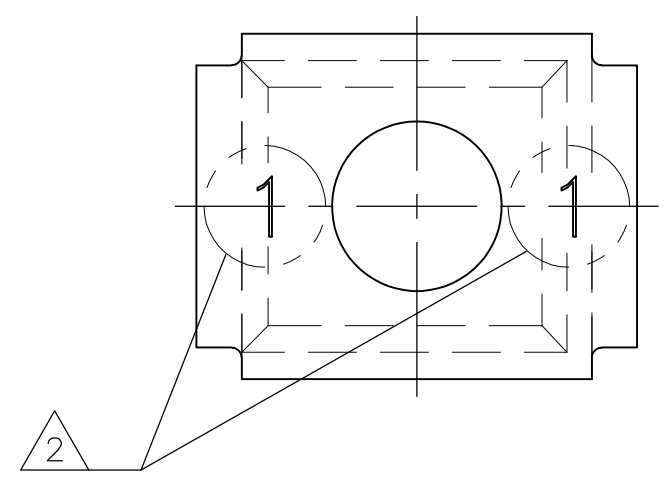
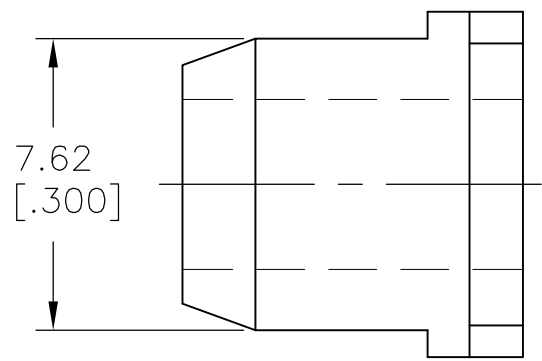
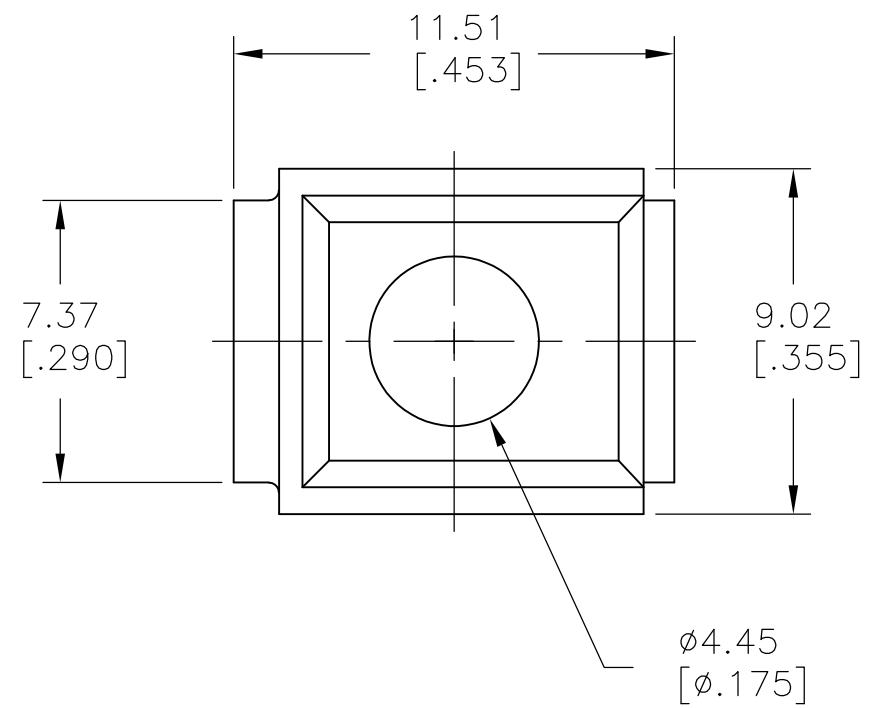
1

THIS DRAWING IS UNPUBLISHED. RELEASED FOR PUBLICATION
 © COPYRIGHT - By - ALL RIGHTS RESERVED.

| LOC | DIST | REVISIONS | | | | | |
|-----|------|-----------|-----|-------------|---------|-----|------|
| FT | 0 | P | LTR | DESCRIPTION | DATE | DWN | APVD |
| | | A | | NEW DRAWING | 12AUG13 | KH | MB |



- △1 MATERIAL: POLYPROPYLENE, BLACK
ALTERNATE: NYLON 6/6, UL94V-0, BLACK.
- △2 CAVITY IDENTIFICATION NUMBER.



2-1437644-9
 PART NO

| | | | | | | |
|---|--|----------------------------------|-----------------|---------------|---|--|
| THIS DRAWING IS A CONTROLLED DOCUMENT. | | DWN KIRAN HOLAL 12AUG13 | TE Connectivity | | | |
| DIMENSIONS: mm [INCHES] | | CHK BRUBAKER MARK 12AUG13 | | | | |
| TOLERANCES UNLESS OTHERWISE SPECIFIED: | | APVD BRUBAKER MARK 12AUG13 | PRODUCT SPEC | | BARRIER STRIP SERIES 8 VERTICAL BUSHING | |
| 0 PLC ± - 1 PLC ± - 2 PLC ± .01 3 PLC ± .005 4 PLC ± - ANGLES ± 1° | | APPLICATION SPEC | | SIZE | CAGE CODE | |
| MATERIAL △1 | | WEIGHT - | | A3 | MB | |
| FINISH - | | CUSTOMER DRAWING | | DRAWING NO | RESTRICTED TO | |
| | | | | C-2-1437644-9 | - | |
| | | | | SCALE 4:1 | SHEET 1 OF 1 | |
| | | | | REV A | | |

X-ON Electronics

Largest Supplier of Electrical and Electronic Components

Click to view similar products for [Terminal Block Tools & Accessories](#) category:

Click to view products by [TE Connectivity](#) manufacturer:

Other Similar products are found below :

[1029563](#) [00171430102](#) [00171420102](#) [014415](#) [CSTSPC1-2](#) [9-1437653-4](#) [928358-1](#) [HCL10-6](#) [1437403-6](#) [1437403-9](#) [1437403-8](#) [147832-1](#)
[EC0037-000](#) [MT2/H--](#) [MT2/H-32](#) [MT6/H-N](#) [MT6/V-GRND](#) [MT8/H-101-110](#) [BB2-09BF](#) [EP2.5/4UN/BG](#) [1707755](#) [1735590](#) [1755480](#)
[1760336](#) [1789281](#) [1840227](#) [1840230](#) [2-1437402-1](#) [2-1437644-9](#) [JB2-09/J](#) [2202307](#) [2204082](#) [2302463](#) [2305949](#) [2310581](#) [8TK2-24](#)
[91.201.1](#) [L2U2](#) [2778.0](#) [2901107](#) [2901123](#) [2901699](#) [2MP/J](#) [2MV-06](#) [1705126](#) [F03-25](#) [1810532](#) [1933011](#) [AMMC-6](#) [2200092](#)