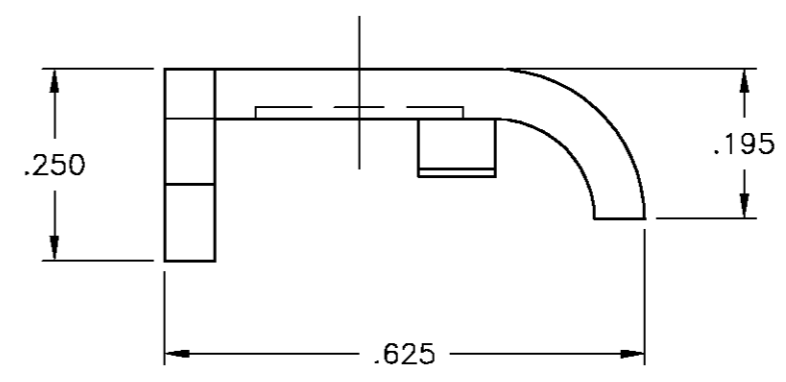
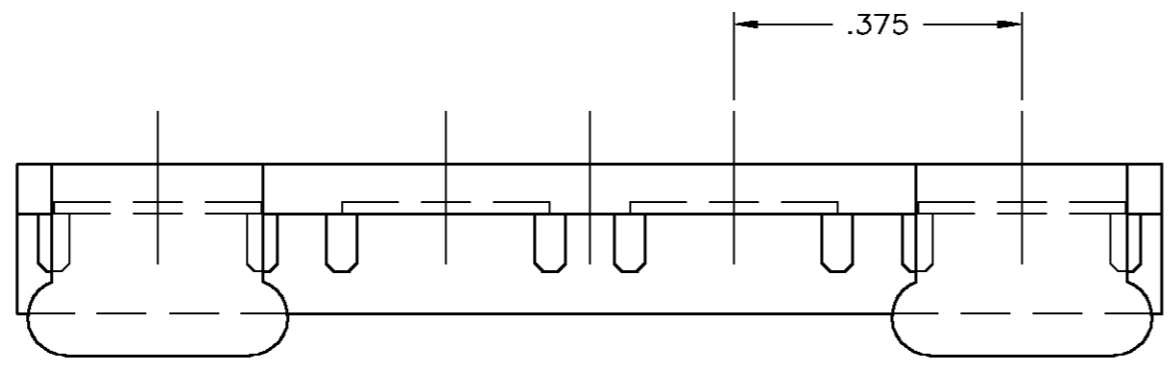
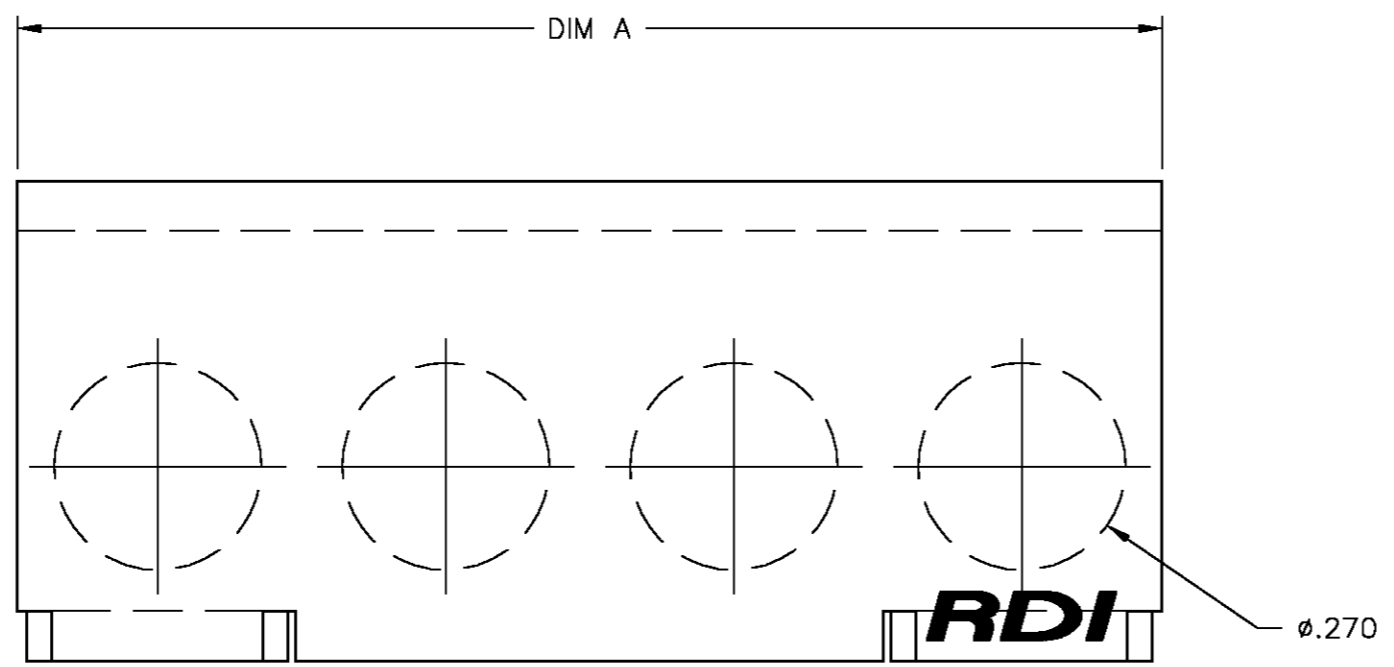


THIS DRAWING IS UNPUBLISHED. RELEASED FOR PUBLICATION
 © COPYRIGHT BY TYCO ELECTRONICS CORPORATION. ALL RIGHTS RESERVED.

LOC		DIST		REVISIONS			
P	LTR	DESCRIPTION		DATE	DWN	APVD	
0		REVISED PER 0G3B-0562-03		7/9/03	SS	SRY	

- NOTES:
- ⚠ MATERIAL: POLYPHENYLENE OXIDE UL94V-0, BLACK.
 - ⚠ 2 POSITION HAS RDI LOGO OMITTED.
 - 3. FOR USE WITH 6 SERIES BARRIER STRIPS.
 - ⚠ PRELIMINARY PART NUMBER.



⚠	DIM A	NO. OF POS.	CATALOG NUMBER	PART NUMBER
⚠	5.991	16	TC6-16-PF	1-1546774-6
⚠	5.616	15	TC6-15-PF	1-1546774-5
⚠	5.241	14	TC6-14-PF	1-1546774-4
⚠	4.866	13	TC6-13-PF	1-1546774-3
⚠	4.491	12	TC6-12-PF	1-1546774-2
⚠	4.116	11	TC6-11-PF	1-1546774-1
	3.741	10	TC6-10-PF	4-1437661-3
	3.366	9	TC6-09-PF	7-1437661-0
	2.991	8	TC6-08-PF	3-1437661-9
	2.616	7	TC6-07-PF	6-1437661-9
	2.241	6	TC6-06-PF	3-1437661-5
	1.866	5	TC6-05-PF	3-1437661-3
	1.491	4	TC6-04-PF	3-1437661-1
	1.116	3	TC6-03-PF	2-1437661-8
⚠	.741	2	TC6-02-PF	9-1437661-5

THIS DRAWING IS A CONTROLLED DOCUMENT.		DWN	S SCHLEGEL	7/9/03
DIMENSIONS: INCHES		CHK	S YODER	7/9/03
TOLERANCES UNLESS OTHERWISE SPECIFIED:		APVD	S YODER	7/9/03
0 PLC	± -	PRODUCT SPEC		
1 PLC	± -	APPLICATION SPEC		
2 PLC	± -	WEIGHT		
3 PLC	± .010	SCALE		
4 PLC	± -	SHEET		
ANGLES	± -	REV		
FINISH	-	CUSTOMER DRAWING		

MATERIAL		FINISH		SIZE		CAGE CODE		DRAWING NO		RESTRICTED TO	
-		-		A2		00779		C=2-1437661-8		-	

BUCHANAN Tyco Electronics Corporation
Harrisburg, PA 17105

TC6-XX-PF TERMINAL BLOCK COVER

SCALE 4:1 SHEET 1 OF 1 REV 0

2-1437661-8

A

X-ON Electronics

Largest Supplier of Electrical and Electronic Components

Click to view similar products for [Terminal Block Tools & Accessories](#) category:

Click to view products by [TE Connectivity](#) manufacturer:

Other Similar products are found below :

[1029563](#) [00171430102](#) [00171420102](#) [014415](#) [CSTSPC1-2](#) [9-1437653-4](#) [928358-1](#) [HCL10-6](#) [1437403-6](#) [1437403-9](#) [1437403-8](#) [147832-1](#)
[EC0037-000](#) [MT2/H--](#) [MT2/H-32](#) [MT6/H-N](#) [MT6/V-GRND](#) [MT8/H-101-110](#) [BB2-09BF](#) [EP2.5/4UN/BG](#) [1707755](#) [1735590](#) [1755480](#)
[1760336](#) [1789281](#) [1840227](#) [1840230](#) [2-1437402-1](#) [2-1437644-9](#) [JB2-09/J](#) [2202307](#) [2204082](#) [2302463](#) [2305949](#) [2310581](#) [8TK2-24](#)
[91.201.1](#) [L2U2](#) [2778.0](#) [2901107](#) [2901123](#) [2901699](#) [2MP/J](#) [2MV-06](#) [1705126](#) [F03-25](#) [1810532](#) [1933011](#) [AMMC-6](#) [2200092](#)