

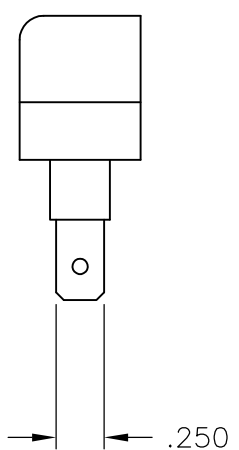
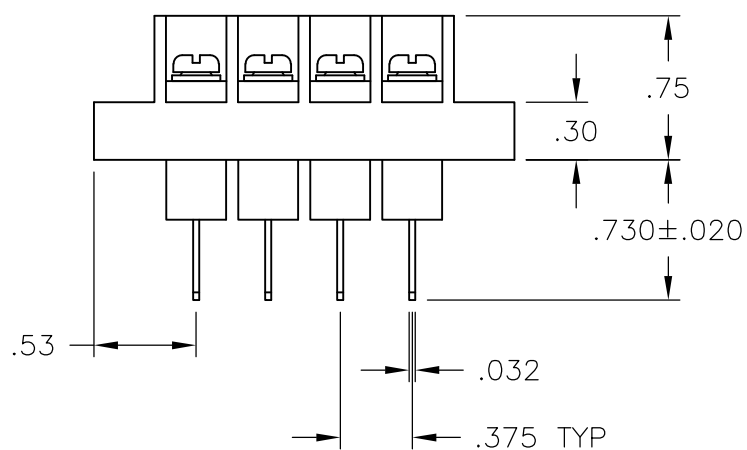
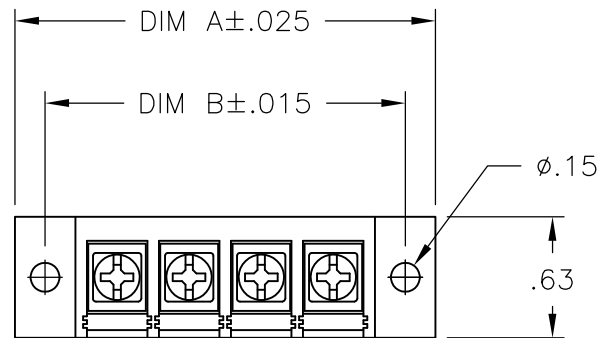
THIS DRAWING IS UNPUBLISHED. RELEASED FOR PUBLICATION  
 © COPYRIGHT - By - ALL RIGHTS RESERVED.

LOC	DIST	REVISIONS					
FT	0	P	LTR	DESCRIPTION	DATE	DWN	APVD
				D1 REVISED PER ECO-11-005027	11MAR11	RK	HMR

NOTES:

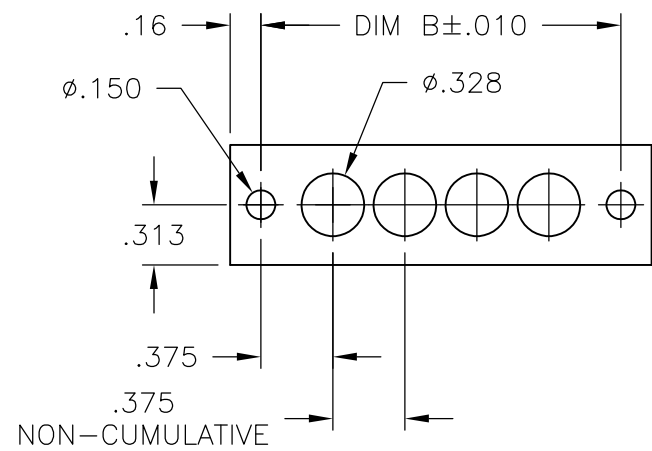
PHYSICAL PROPERTIES:  
 HOUSING: THERMOPLASTIC, UL94V-0, BLACK.  
 TERMINALS: BRIGHT TIN OVER COPPER ALLOY.  
 SCREWS: #6-32 STEEL, ZINC PLATING W/ CLEAR CHROMATE.  
 PITCH: .375"  
 OPERATING TEMP: 105°C  
 RECOMMENDED TIGHTENING TORQUE: 7 IN-LBS.

ELECTRICAL PROPERTIES  
 CURRENT RATING: 20A.  
 OPERATING VOLTAGE: 300V.  
 WIRE RANGE: 12-22 AWG.



7.439	7.125	18	BC6-Q308-18	1-1546781-1
7.064	6.750	17	BC6-Q308-17	1-1546781-0
6.689	6.375	16	BC6-Q308-16	1546781-9
6.314	6.000	15	BC6-Q308-15	3-1437662-1
5.939	5.625	14	BC6-Q308-14	1546781-8
5.564	5.250	13	BC6-Q308-13	3-1437662-0
5.189	4.875	12	BC6-Q308-12	1546781-7
4.814	4.500	11	BC6-Q308-11	1546781-6
4.439	4.125	10	BC6-Q308-10	2-1437662-9
4.064	3.750	9	BC6-Q308-09	1546781-5
3.689	3.375	8	BC6-Q308-08	1546781-4
3.314	3.000	7	BC6-Q308-07	1546781-3
2.939	2.625	6	BC6-Q308-06	2-1437662-8
2.564	2.250	5	BC6-Q308-05	1546781-2
2.189	1.875	4	BC6-Q308-04	1546781-1
1.814	1.500	3	BC6-Q308-03	2-1437662-4
1.439	1.125	2	BC6-Q308-02	2-1437662-3

DIM. A	DIM. B	NO. OF POS.	CATALOG NUMBER	PART NO.
--------	--------	-------------	----------------	----------



MOUNTING PANEL LAYOUT

THIS DRAWING IS A CONTROLLED DOCUMENT.		DWN	S SCHLEGEL	9/15/03	TE Connectivity					
DIMENSIONS: INCHES		CHK	S. YODER	9/15/03				NAME BC6-Q308-XX ASSEMBLY		
TOLERANCES UNLESS OTHERWISE SPECIFIED:		APVD	S. YODER	9/15/03						
0 PLC ± - 1 PLC ± - 2 PLC ± .01 3 PLC ± .005 4 PLC ± - ANGLES ± -		PRODUCT SPEC		SIZE			CAGE CODE	DRAWING NO	RESTRICTED TO	
MATERIAL		FINISH		WEIGHT		A300779		C-2-1437662-3		
CUSTOMER DRAWING				SCALE		NTS		SHEET 1 OF 1		REV D1

## X-ON Electronics

Largest Supplier of Electrical and Electronic Components

*Click to view similar products for [Barrier Terminal Blocks](#) category:*

*Click to view products by [TE Connectivity](#) manufacturer:*

Other Similar products are found below :

[CR151D20104](#) [670A-RZ-15-KT20](#) [6C1N03](#) [6PCR-02](#) [6PCR-02-008](#) [6PCR-05-008](#) [6PCR-08-008](#) [6PCR-09-008](#) [6PCR-13-006](#) [6PCR-15-006](#) [6PCR-21-006](#) [6PCV-06-008](#) [6PCV-06-716](#) [6PCV-09-001](#) [6PCV-10-009](#) [6PCV-15-008](#) [6PCV-17-1206](#) [6PCV-20-323](#) [6PCV-30-006](#) [6STR-06-006](#) [6STR-08-006](#) [6STR-12-008](#) [6STR-13-006](#) [6STR-14-008](#) [6STR-16-008](#) [6STR-17-008](#) [6STR-21-008](#) [6STR-25-008](#) [6STR-27-008](#) [6STV-03-006](#) [6STV-03-008](#) [6STV-04-006](#) [6STV-09-006](#) [6STV-10-006](#) [6WWR-03-693](#) [6WWV-12-008](#) [6WWV-16-008](#) [72212603](#) [72504-C-50](#) [72506-C](#) [72507-C-50](#) [73203](#) [75505-C](#) [75505-C-50](#) [75510-C](#) [77010-50](#) [7C1N08](#) [812-GP-3/4ST-09](#) [8-1437402-5](#) [8-1437402-7](#)