

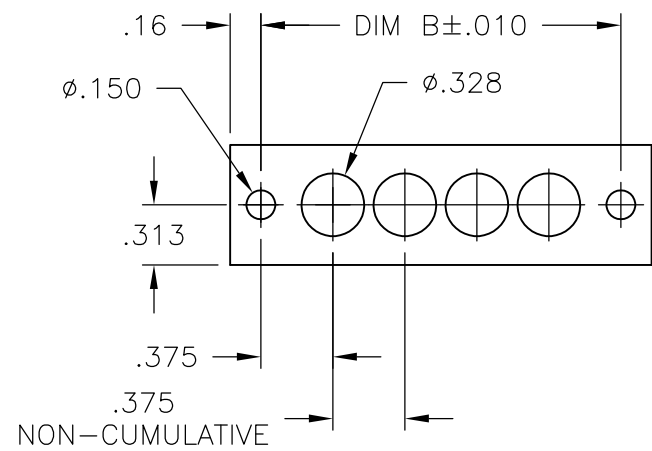
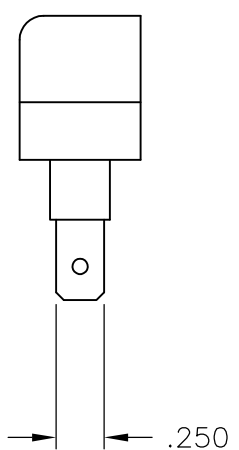
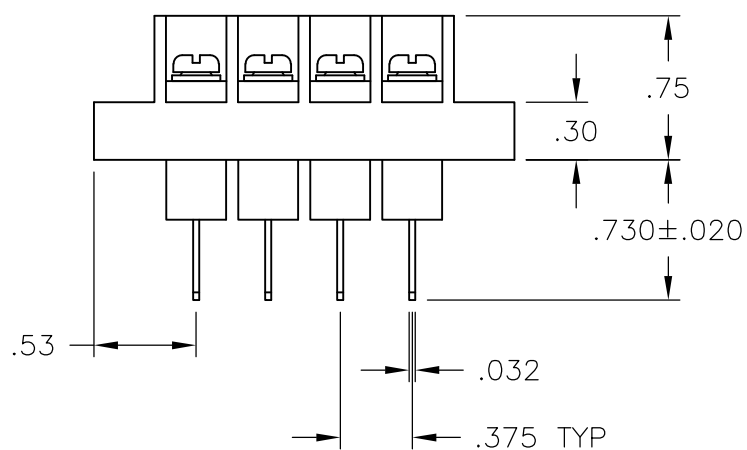
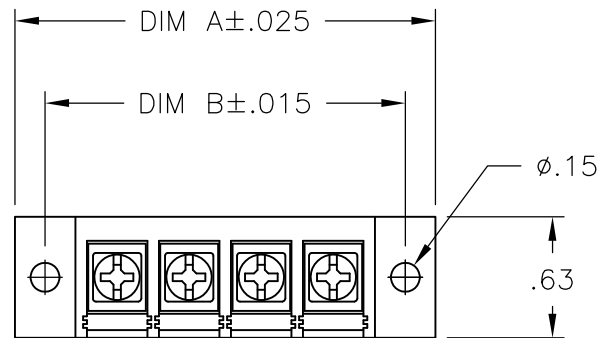
THIS DRAWING IS UNPUBLISHED. RELEASED FOR PUBLICATION
 © COPYRIGHT - By - ALL RIGHTS RESERVED.

LOC	DIST	REVISIONS					
FT	0	P	LTR	DESCRIPTION	DATE	DWN	APVD
				D1 REVISED PER ECO-11-005027	11MAR11	RK	HMR

NOTES:

PHYSICAL PROPERTIES:
 HOUSING: THERMOPLASTIC, UL94V-0, BLACK.
 TERMINALS: BRIGHT TIN OVER COPPER ALLOY.
 SCREWS: #6-32 STEEL, ZINC PLATING W/ CLEAR CHROMATE.
 PITCH: .375"
 OPERATING TEMP: 105°C
 RECOMMENDED TIGHTENING TORQUE: 7 IN-LBS.

ELECTRICAL PROPERTIES
 CURRENT RATING: 20A.
 OPERATING VOLTAGE: 300V.
 WIRE RANGE: 12-22 AWG.



MOUNTING PANEL LAYOUT

7.439	7.125	18	BC6-Q308-18	1-1546781-1
7.064	6.750	17	BC6-Q308-17	1-1546781-0
6.689	6.375	16	BC6-Q308-16	1546781-9
6.314	6.000	15	BC6-Q308-15	3-1437662-1
5.939	5.625	14	BC6-Q308-14	1546781-8
5.564	5.250	13	BC6-Q308-13	3-1437662-0
5.189	4.875	12	BC6-Q308-12	1546781-7
4.814	4.500	11	BC6-Q308-11	1546781-6
4.439	4.125	10	BC6-Q308-10	2-1437662-9
4.064	3.750	9	BC6-Q308-09	1546781-5
3.689	3.375	8	BC6-Q308-08	1546781-4
3.314	3.000	7	BC6-Q308-07	1546781-3
2.939	2.625	6	BC6-Q308-06	2-1437662-8
2.564	2.250	5	BC6-Q308-05	1546781-2
2.189	1.875	4	BC6-Q308-04	1546781-1
1.814	1.500	3	BC6-Q308-03	2-1437662-4
1.439	1.125	2	BC6-Q308-02	2-1437662-3
DIM. A	DIM. B	NO. OF POS.	CATALOG NUMBER	PART NO.

THIS DRAWING IS A CONTROLLED DOCUMENT.		DWN	S SCHLEGEL	9/15/03	STE TE Connectivity		
DIMENSIONS: INCHES		CHK	S. YODER	9/15/03			
TOLERANCES UNLESS OTHERWISE SPECIFIED:		APVD	S. YODER	9/15/03	NAME		
0 PLC ± -		PRODUCT SPEC		BC6-Q308-XX ASSEMBLY			
1 PLC ± -		APPLICATION SPEC		SIZE			
2 PLC ± .01		WEIGHT		CAGE CODE		DRAWING NO	
3 PLC ± .005		CUSTOMER DRAWING		A300779		G-2-1437662-3	
4 PLC ± -		SCALE		SHEET		RESTRICTED TO	
ANGLES ± -		NTS		1 OF 1		REV D1	
FINISH		MATERIAL					

X-ON Electronics

Largest Supplier of Electrical and Electronic Components

Click to view similar products for [Barrier Terminal Blocks](#) category:

Click to view products by [TE Connectivity](#) manufacturer:

Other Similar products are found below :

[6C1N03](#) [6PCR-02-008](#) [6PCR-05-008](#) [6PCR-08-008](#) [6PCR-21-006](#) [6PCV-06-008](#) [6PCV-10-009](#) [6PCV-15-008](#) [6STR-06-006](#) [6STR-08-006](#)
[6STR-12-008](#) [6STR-14-008](#) [6STR-16-008](#) [6STR-17-008](#) [6STR-21-008](#) [6STR-25-008](#) [6STR-27-008](#) [6STV-03-006](#) [6STV-03-008](#) [6STV-04-006](#) [6STV-10-006](#) [6WWR-03](#) [6WWV-12-008](#) [6WWV-16-008](#) [7-1546701-0](#) [72212603](#) [72503-C](#) [72504-C-50](#) [73203](#) [76007](#) [7604-501LF](#)
[77010-50](#) [796985-3](#) [796988-4](#) [7C1N08](#) [8-1437402-5](#) [8-1437402-7](#) [8-1546158-0](#) [870505](#) [870903](#) [8PCR-06-006](#) [8PCV-02-008](#) [8PCV-05-008](#)
[8PCV-09-006](#) [8PCV-15-006](#) [8PCV-17-006](#) [8QCR-03-008](#) [8STV-04-006](#) [9-1437402-3](#) [A103104](#)