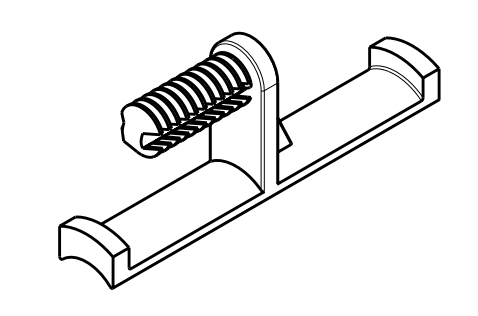
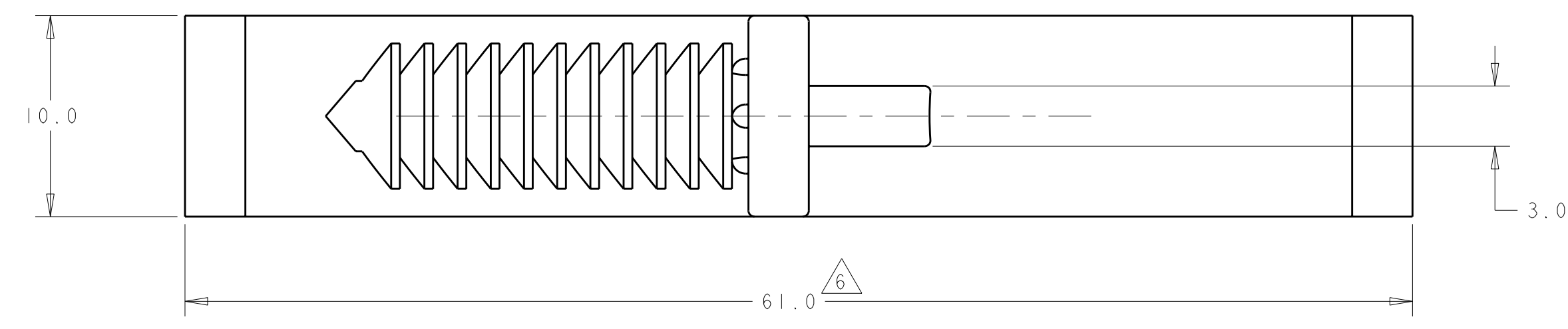
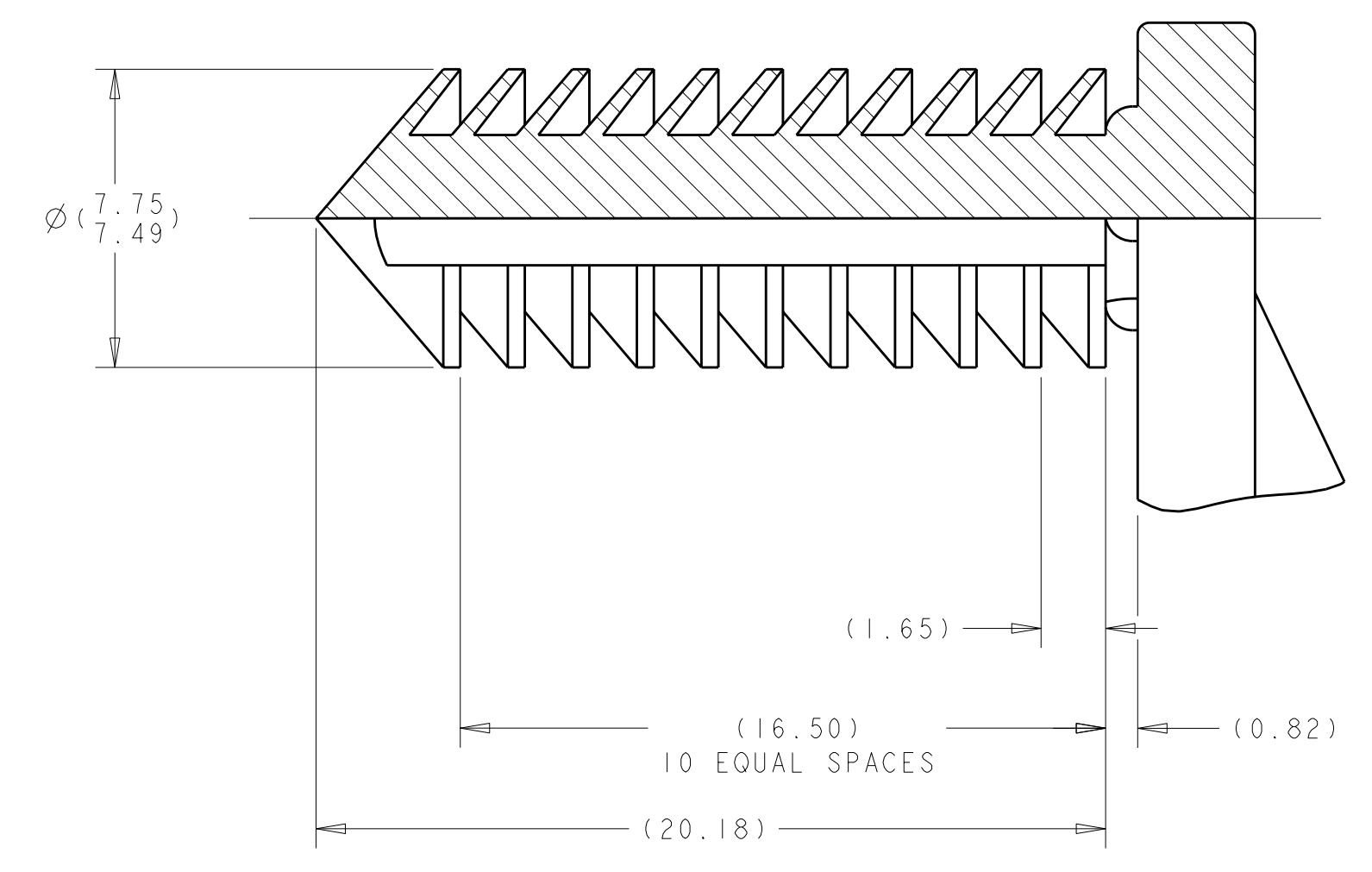
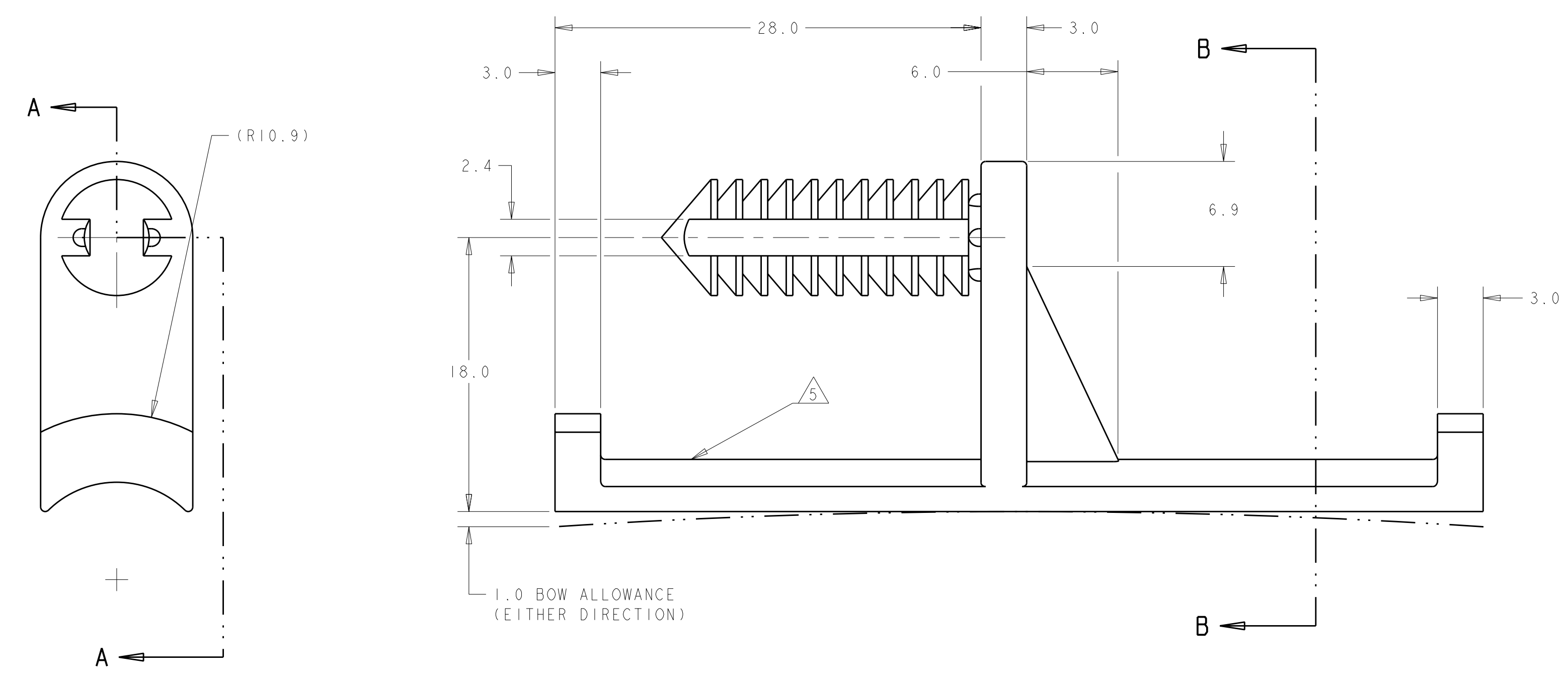


LOC	DIST	REVISIONS			
P	LTR	DESCRIPTION	DATE	DWN	APVD
FX	00	D	REVISED PER ECO-09-023080	30OCT2009	DLD DJZ



SCALE 1:1

1. MATERIAL: POLYAMIDE 6/6, COLOR AS SHOWN IN TABLE.
2. CLIP TO SNAP INTO 6.5mm DIA HOLE IN MATERIAL WITH THICKNESS OF 5.10-0.56mm.
3. 0.65mm MAX RADIUS PERMISSIBLE ON EDGES AND FILLETS SHOWN AS SHARP.
4. ALL RADII 0.8mm.
5. FORD PART CODE F57U-13A506-AA IS MOLDED ON PART IN AREA SHOWN FOR BOTH P/N 2-1437837-1 AND FOR P/N 6-1437839-9.
6. 1.3 FLASH ALLOWANCE (EACH END).
7. ONE ISOLATED NON-METALLIC INCLUSION ON NATURAL COLOR PART IS PERMITTED IF NOT GREATER THAN 1.9 IN DIAMETER. INSPECT FRONT VIEW ONLY.



SECTION A-A
SCALE 6:1

BLACK	WSK-M4D706A	6-1437839-9
NATURAL	WSK-M4D706A	2-1437837-1
COLOR	FORD PART NO	PART NUMBER

<small>THIS DRAWING IS UNPUBLISHED. RELEASED FOR PUBLICATION. ALL RIGHTS RESERVED. THIS DRAWING IS UNPUBLISHED. RELEASED FOR PUBLICATION. ALL RIGHTS RESERVED. THIS DRAWING IS UNPUBLISHED. RELEASED FOR PUBLICATION. ALL RIGHTS RESERVED. THIS DRAWING IS UNPUBLISHED. RELEASED FOR PUBLICATION. ALL RIGHTS RESERVED.</small>		DWN R. VESTAL 21APR2004 CHK T. WOJCIACKI 21APR2004 APVD T. WOJCIACKI 21APR2004	Tyco Electronics Harrisburg, PA 17105-3608
DIMENSIONS: mm TOLERANCES UNLESS OTHERWISE SPECIFIED: 9 PLC ± 1 PLC ±0.3 2 PLC ±0.10 3 PLC ± 4 PLC ± ANGLES ±1° FINISH -		NAME: RETAINER, REAR LAMP WIRING PRODUCT SPEC - APPLICATION SPEC - WEIGHT - CUSTOMER DRAWING	SIZE: A1 CAGE CODE: 00779 DRAWING NO: C=2-1437837-1 RESTRICTED TO: - SCALE: 4:1 SHEET 1 OF 1 REV D

X-ON Electronics

Largest Supplier of Electrical and Electronic Components

Click to view similar products for [Automotive Connectors](#) category:

Click to view products by [TE Connectivity](#) manufacturer:

Other Similar products are found below :

[003-018-000](#) [60403001](#) [60993906-B](#) [M902-2131](#) [M902-2161](#) [M902-2344](#) [72.330.1035.1](#) [73.353.4028.0](#) [F119300-B](#) [F166900](#) [F258300-B](#)
[F358300-B](#) [F407400](#) [F444110](#) [F487000](#) [F509500B-B](#) [827153-1](#) [8N1515-32-24P](#) [9-1326729-8](#) [925474-1](#) [928905-1](#) [964562-4](#) [968782-1](#)
[GT17SA-8DS-HU](#) [98891-1012](#) [98947-1016](#) [12004147](#) [12004475-L](#) [12010290](#) [12010309-B](#) [12015454](#) [12020219-B](#) [12041318-B](#) [12052225-](#)
[L](#) [12052466](#) [12064869](#) [12004327-B](#) [12015308](#) [12015384](#) [12015909](#) [1-21030-1](#) [12041254](#) [12041318](#) [12047946-B](#) [12047957](#) [12047957-L](#)
[12059473](#) [12066261](#) [12110546](#) [12110546-B](#)