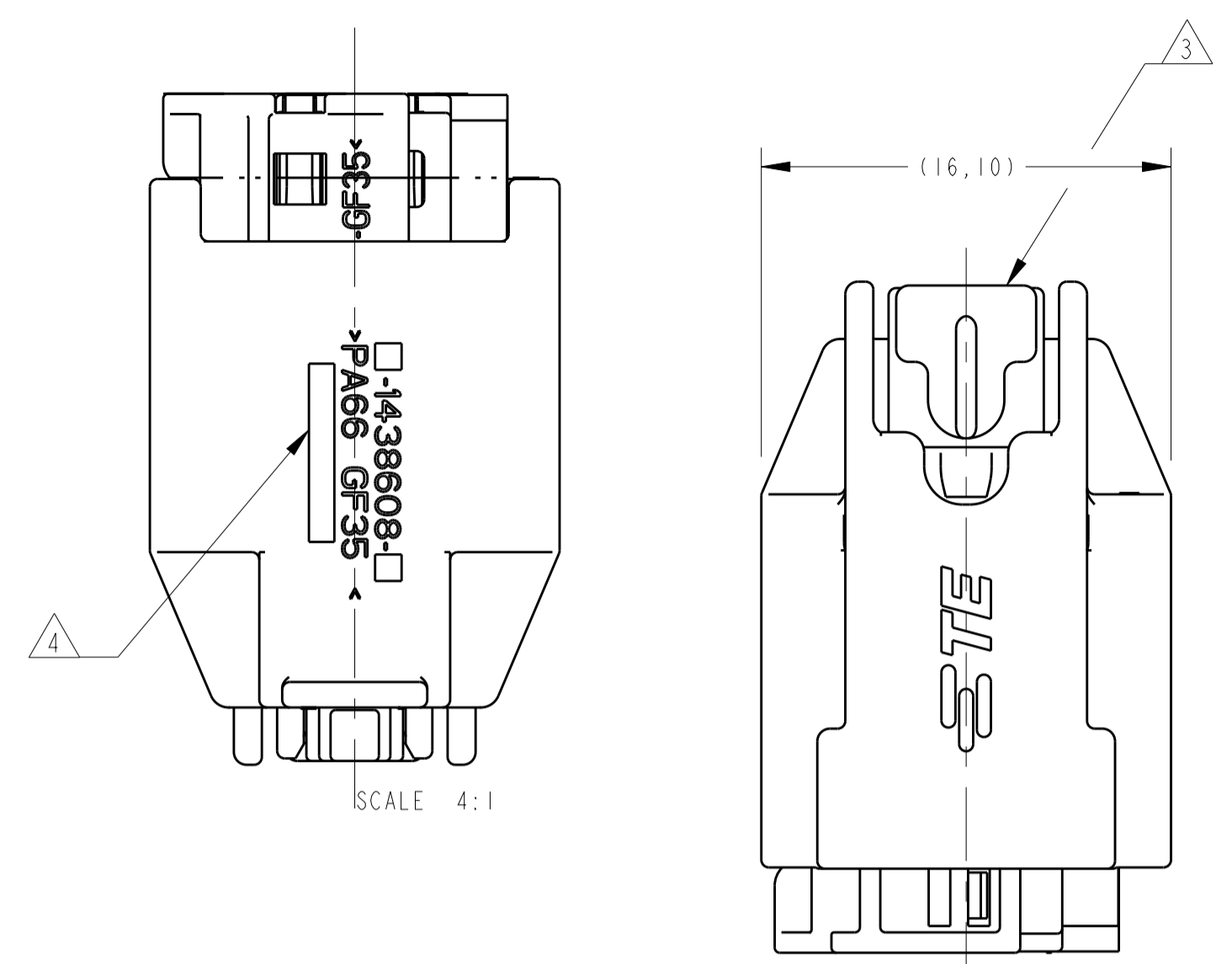
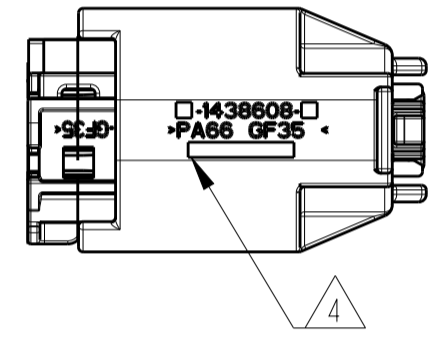


LOC		DIST		REVISIONS			
IN	00	P	LTM	DESCRIPTION	DATE	DWN	APVD
G				REVISED DRAWING ECO-14-011432	29JUL2014	NCL	LWP
G1				REVISED BY ECO-18-012392	18MAR2019	LAA	DAO

**creo**  
 Creo Parametric 2.0  
**DO NOT REVISE**  
**EXCEPT BY CAD**

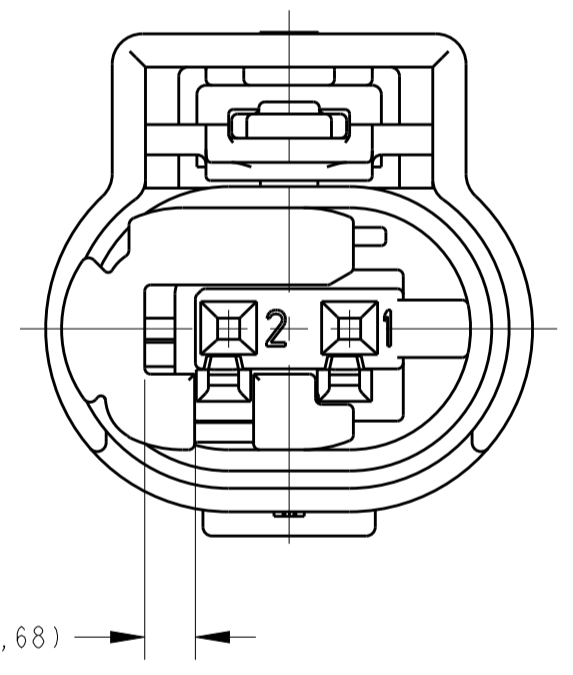


SCALE 4:1

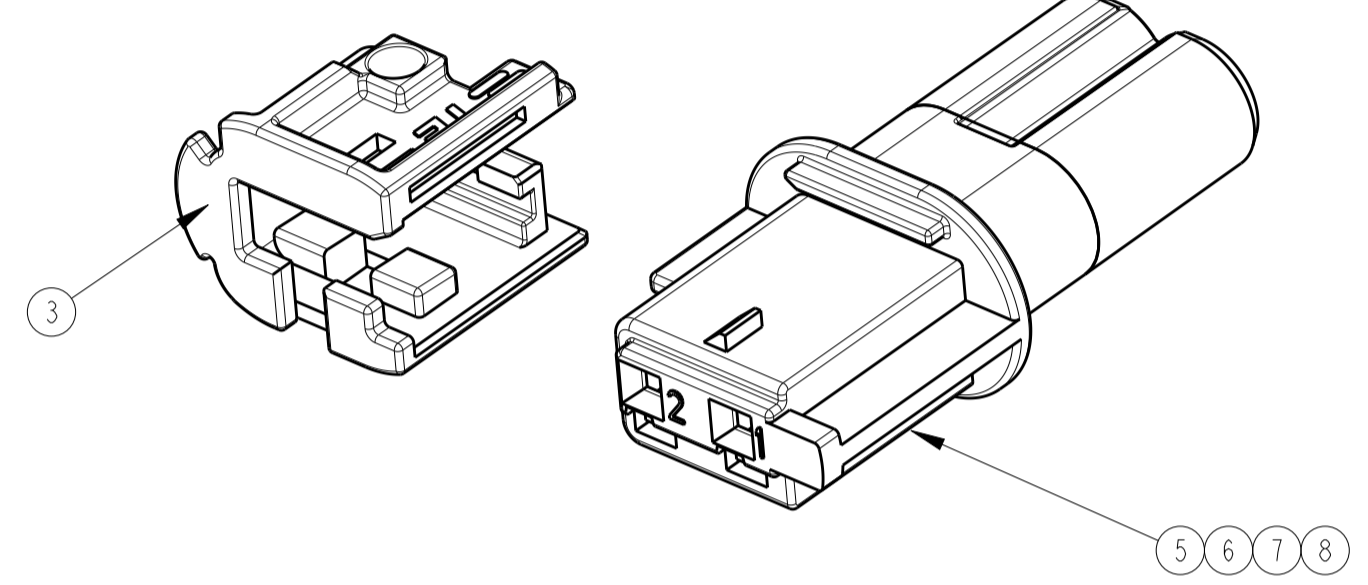


MARK OF TE-BR ASSY LINE NUMBER	
1	
2	

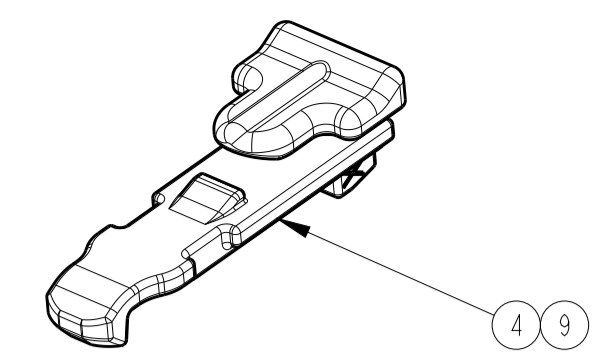
MARKING VIEW  
 SCALE 2:1



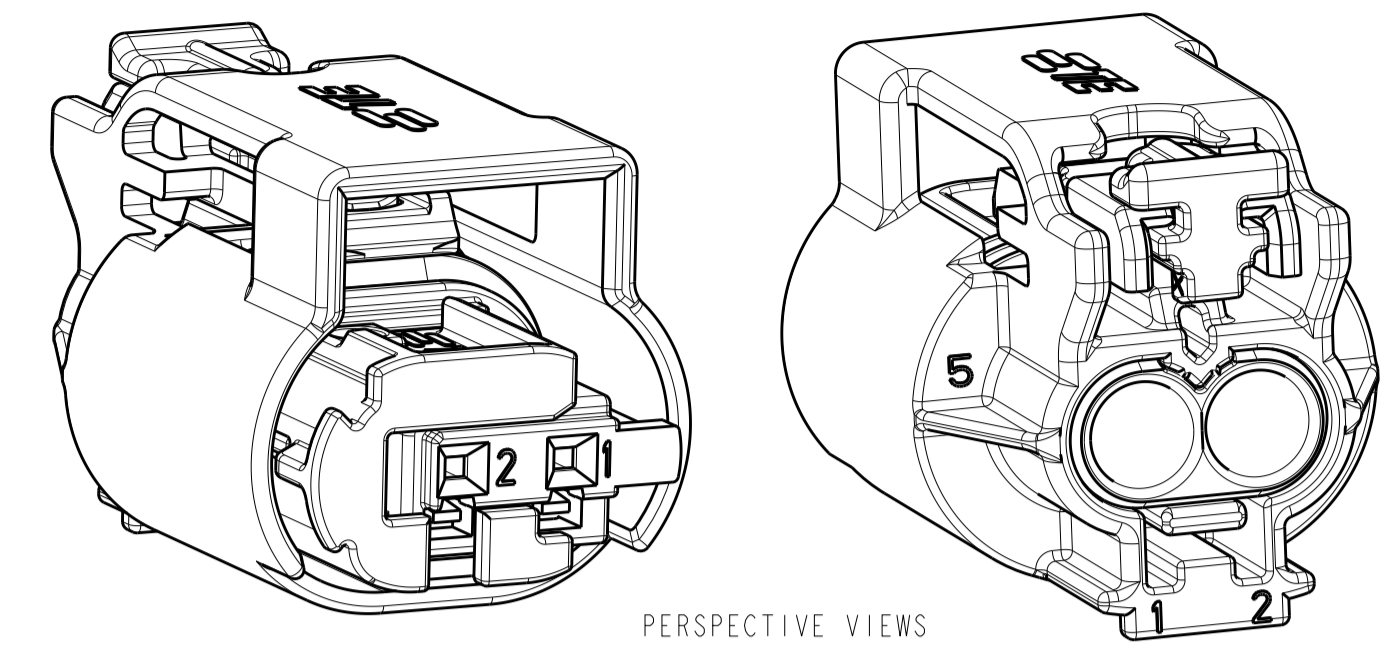
(1,68)



5 6 7 8



4 9

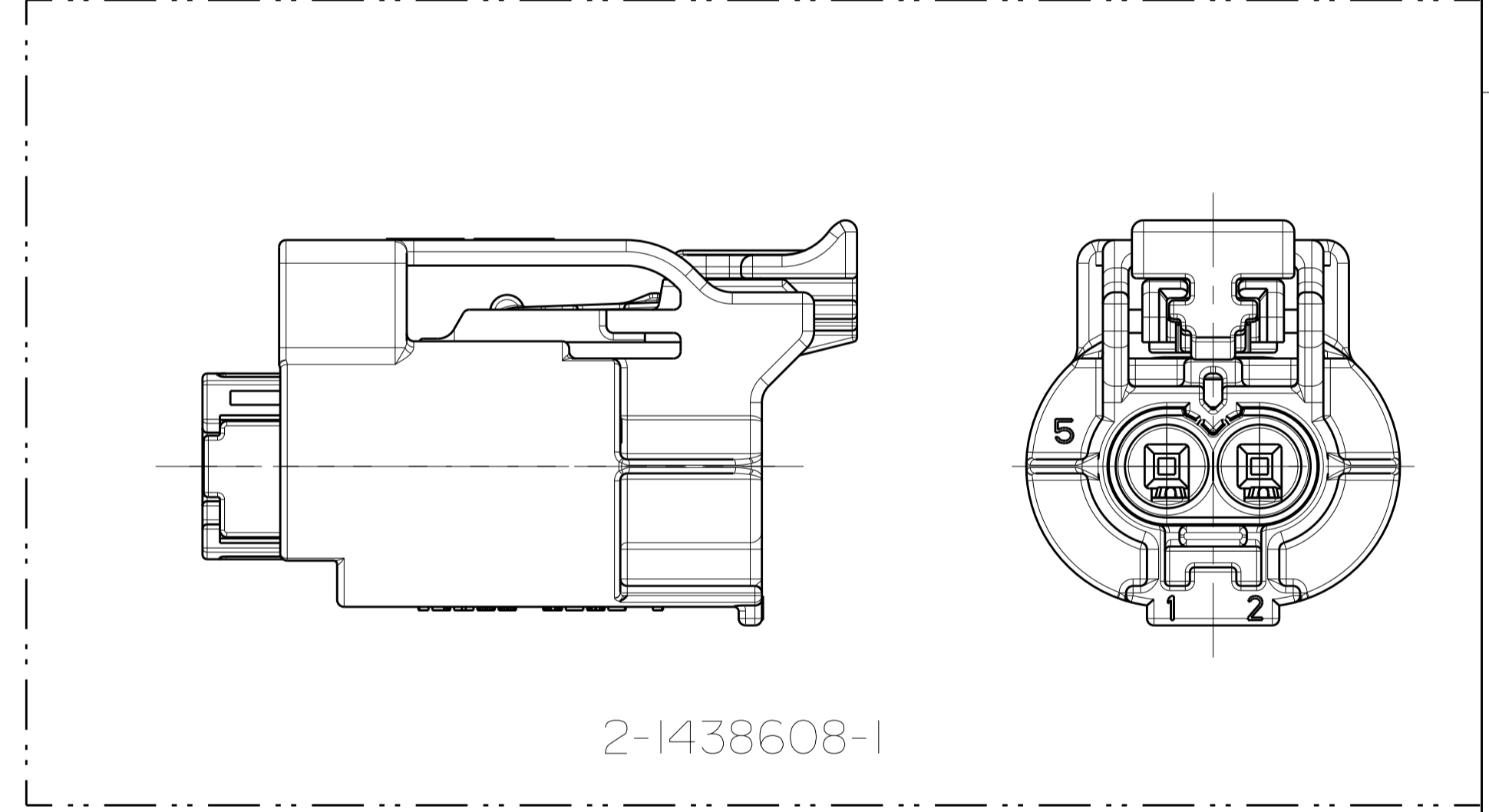


PERSPECTIVE VIEWS  
 SCALE 4:1

RECOMMENDED TERMINAL AND WIRE SEAL CHART			
RECOMMENDED TERMINAL P/N	PLATING	WIRE SIZE TYPE	RECOMMENDED WIRE SEAL (CORRESPONDING TO WIRE SIZE AND TYPE)
1703032-5	GOLD	20AWG TXL	967067-1
1703032-1	TIN	20AWG TXL	967067-1
1703032-5	GOLD	18AWG TXL	967067-1
1703032-1	TIN	18AWG TXL	967067-1
1703032-5	GOLD	20AWG GXL	967067-1
1703032-1	TIN	20AWG GXL	967067-1
1703032-5	GOLD	0.75mm <sup>2</sup> FRL	967067-1
1703032-1	TIN	0.75mm <sup>2</sup> FRL	967067-1
1703032-5	GOLD	0.50mm <sup>2</sup> FRL	967067-1
1703032-1	TIN	0.50mm <sup>2</sup> FRL	967067-1
2288140-1	TIN	0.35mm <sup>2</sup> FRL	967067-2
2288140-1	TIN	0.22mm <sup>2</sup> FRL	967067-2

- 1- 1438608-5 MOSTRADO.  
 1- 1438608-5 SHOWN.
- 2- TPA MOSTRADO EM POSIÇÃO DE PRÉ-TRAVA.  
 2- TPA SHOWN IN PRE-LATCHED POSITION.
- 3- CPA MOSTRADO EM POSIÇÃO DE PRÉ-TRAVA.  
 3- CPA SHOWN IN PRE-LATCHED POSITION.
- 4- GRAVACAO JULIANA DE DATA COM QUATRO DIGITOS (DDDD), PN ASSEMBLY, IDENTIFICACAO DO MATERIAL, E PARA TE-BR, IDENTIFICACAO DA LINHA DE MONTAGEM CONFORME TABELA ABAIXO, LOCALIZADA NESTA AREA.  
 4- MARK FOUR DIGIT JULIAN DATE CODE (DDDD), ASSEMBLY PART NUMBER, MATERIAL IDENTIFICATION, AND FOR TE-BR, THE ASSY LINE ID AS BELOW TABLE, LOCATED IN APPROXIMATE AREA SHOWN.
- 5- TERMINAIS, CABOS E SELOS VENDIDOS SEPARADAMENTE. (VER TABELA DE PN'S PARA TERMINAIS, CABOS, SELOS, ACABAMENTO E BITOLA RECOMENDADOS).  
 5- TERMINALS AND WIRE SEALS SOLD SEPARATELY. (SEE RECOMMENDED TERMINAL AND WIRE SEAL TABLE FOR P/N'S, PLATING, AND WIRE SIZE).
- 6- VER ESPECIFICACAO DE APLICACAO N. 114-18025.  
 6- SEE APPLICATION SPEC. NO. 114-18025.
- 7- VERSAO NEUTRA.  
 7- NEUTRAL VERSION.
- 8- ALIVIO DE MATERIAL (VER FOLHA 2 DE 2).  
 8- MATERIAL RECESS (SEE SHEET 2 OF 2).

- 9- COR OPCIONAL DO SELO - NATURAL.  
 9- OPTIONAL SEAL COLORS - NATURAL.
- 10- PRODUTO TESTADO CONFORME NORMA SAE/USCAR-2 REV.4 COM AS SEGUINTE EXCECOES:  
 10A. FORÇA DE INSERÇÃO DO TPA DA PRÉ MONTAGEM PARA TRAVADO = 12N. MIN.  
 10B. "CLICK" AUDIVEL = 1db MIN.  
 10C. FORÇA DE EXTRAÇÃO DO CPA DA POSIÇÃO TRAVADO PARA PRÉ TRAVADO = 7N MIN.
- 10- PRODUCT TESTED IN ACORDANCE WITH SAE/USCAR-2 REV.4 WITH THE FOLLOWING EXCEPTIONS:  
 10A. TPA PRESET TO LOCK FORCE = 12N. MIN.  
 10B. AUDIBLE "CLICK" = 1db MIN.  
 10C. CPA LOCK TO PRESET FORCE = 7N MIN.
- 11- SUPERFÍCIE DE VEDAÇÃO NESTA ÁREA, NÃO PERMITIDO MARCAS DE CHUPAGEM E DIVISÕES DO MOLDE. RUGOSIDADE DO MOLDE RA=0,8µm; ÂNGULO DE SAÍDA 15° (VER FOLHA 2 DE 2).  
 11- IN THIS AREA SEALING SURFACE AROUND, NO SINK MARKS AND TOOL PARTING PERMITTED. MOLD SURFACE RA=0,8µm; DRAFTING ANGLE 15° (SEE SHEET 2 OF 2)
- 12- PINOS DE CONTATO CONFORME DESENHO TE 114-18063 (VER FOLHA 2 DE 2)  
 12- CONTACT PINS ACCORDING TO INTERFACE DRAWING TE 114-18063 (SEE SHEET 2 OF 2)



2-1438608-1

SUPERSEDED			
ITEM	DESCRIPTION	MATERIAL	FINISH
9	CPA	PBT, 30% GLASS FILLED	VIOLET
8	INNER PLUG HOUSING KEYING X	NYLON 6/6, 35% GLASS FILLED	GREEN
7	INNER PLUG HOUSING KEYING C	NYLON 6/6, 35% GLASS FILLED	BLUE
6	INNER PLUG HOUSING KEYING B	NYLON 6/6, 35% GLASS FILLED	DARK GREY
5	INNER PLUG HOUSING KEYING A	NYLON 6/6, 35% GLASS FILLED	BLACK
4	CPA	PBT, 30% GLASS FILLED	RED
3	TPA	NYLON 6/6, 35% GLASS FILLED	RED
2	PERIPHERAL SEAL	SILICONE RUBBER	LIGHT BLUE
1	OUTER PLUG HOUSING	NYLON 6/6, 35% GLASS FILLED	BLACK

THIS DRAWING IS A CONTROLLED DOCUMENT.

DIMENSIONS: mm

TOLERANCES UNLESS OTHERWISE SPECIFIED:

0 PLC	±
1 PLC	±0.5
2 PLC	±0.13
3 PLC	±
4 PLC	±

ANGLES: 40°/30°

MATERIAL: SEE TABLE

FINISH: SEE TABLE

THIS DRAWING IS A CONTROLLED DOCUMENT.

DWN: R. FOLTZ 28APR2004  
 CHK: B. BUCHTER 28APR2004  
 APVD: B. BUCHTER 28APR2004

NAME: PLUG ASSEMBLY, 2 POSITION, SEALED, MOS CLEAN BODY CONNECTOR

SIZE: A1

CAGE CODE: 00779

DRAWING NO: 114-37012

WEIGHT: -

CUSTOMER DRAWING

SCALE: 4:1

SHEET: 1 OF 2

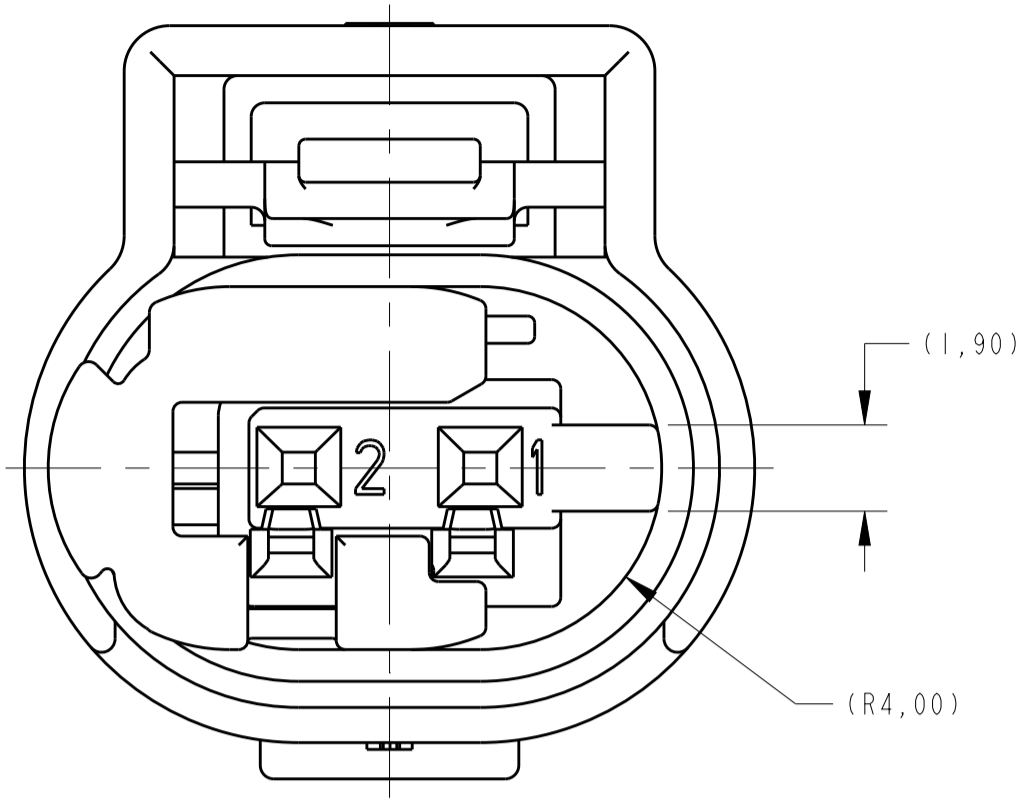
REV: G1

LOC	DIST	REV	DATE	BY	APPV
IN	00				

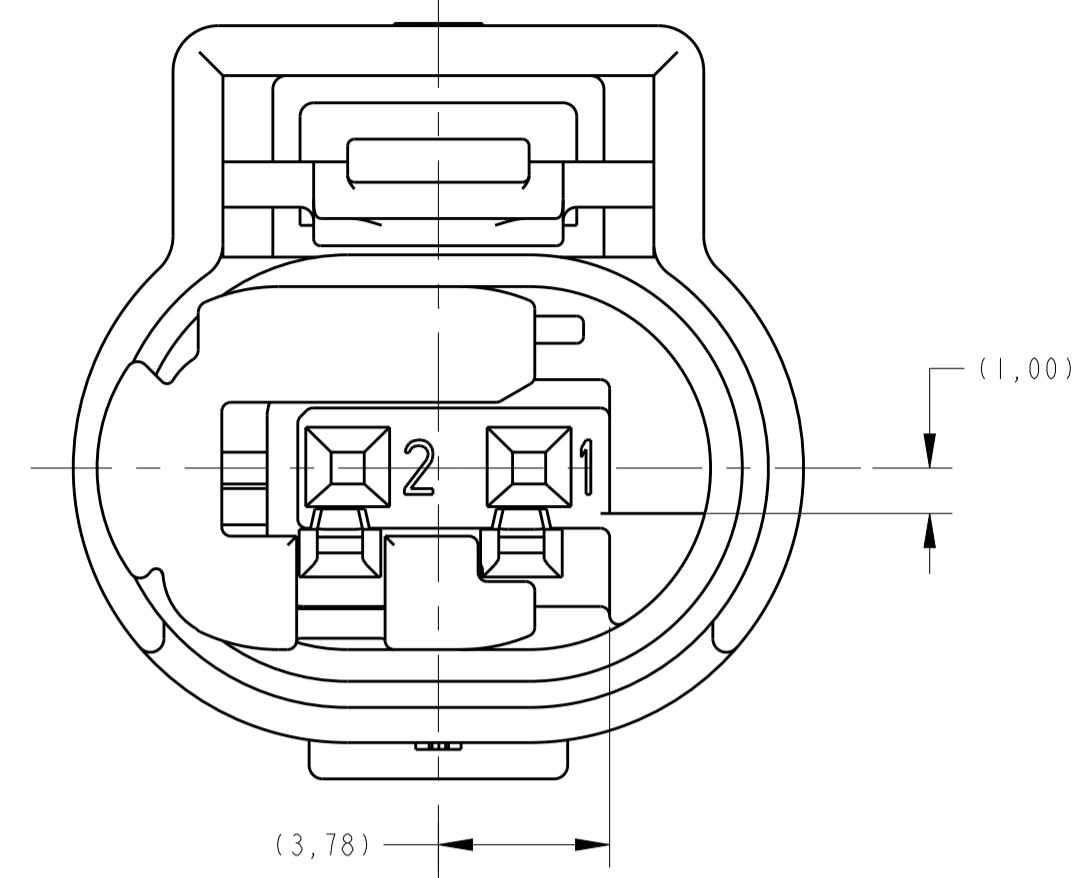
  

REVISIONS		DATE	BY	APPV
1	SEE SHEET 1			

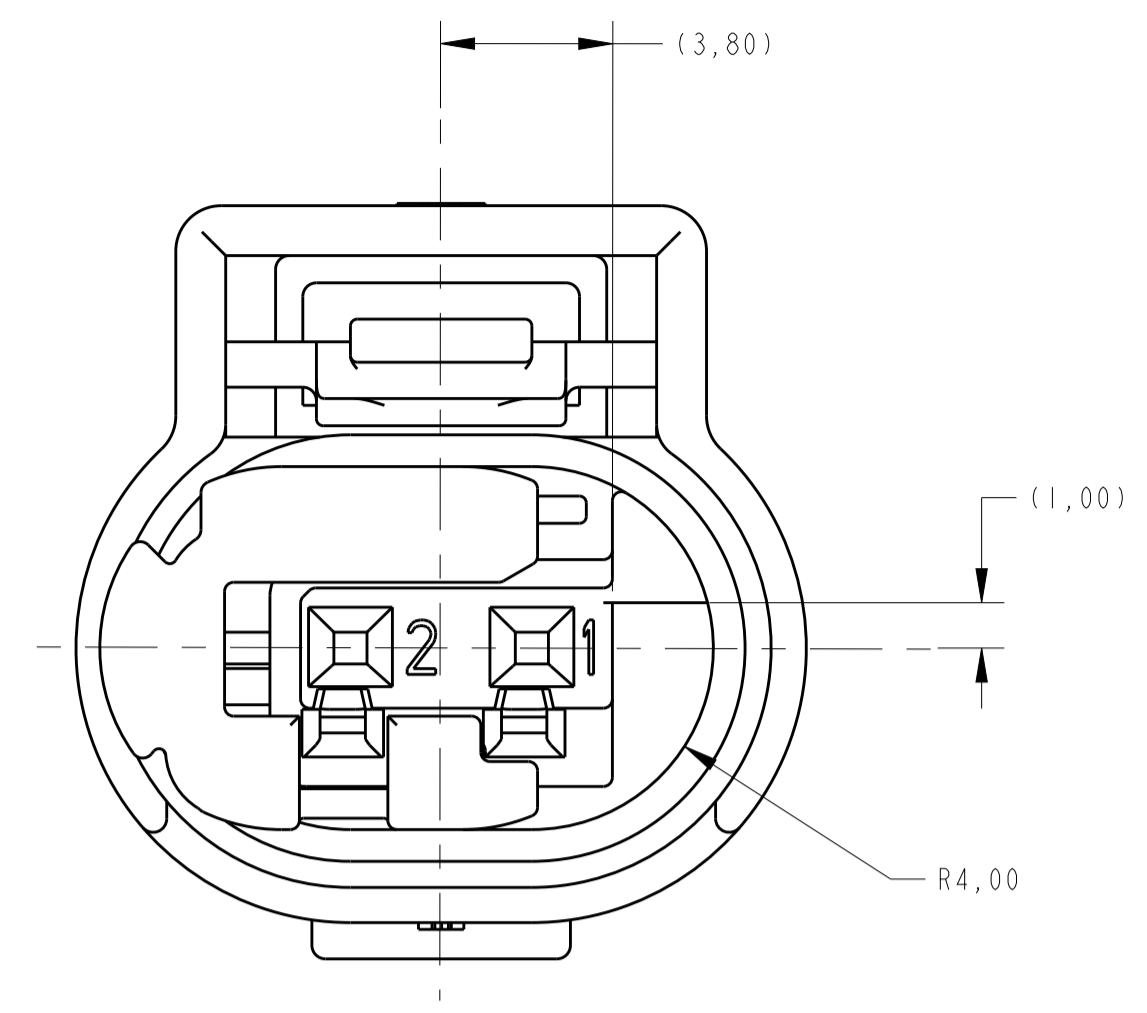
creo  
Creo Parametric 2.0  
DO NOT REVISE  
EXCEPT BY CAD



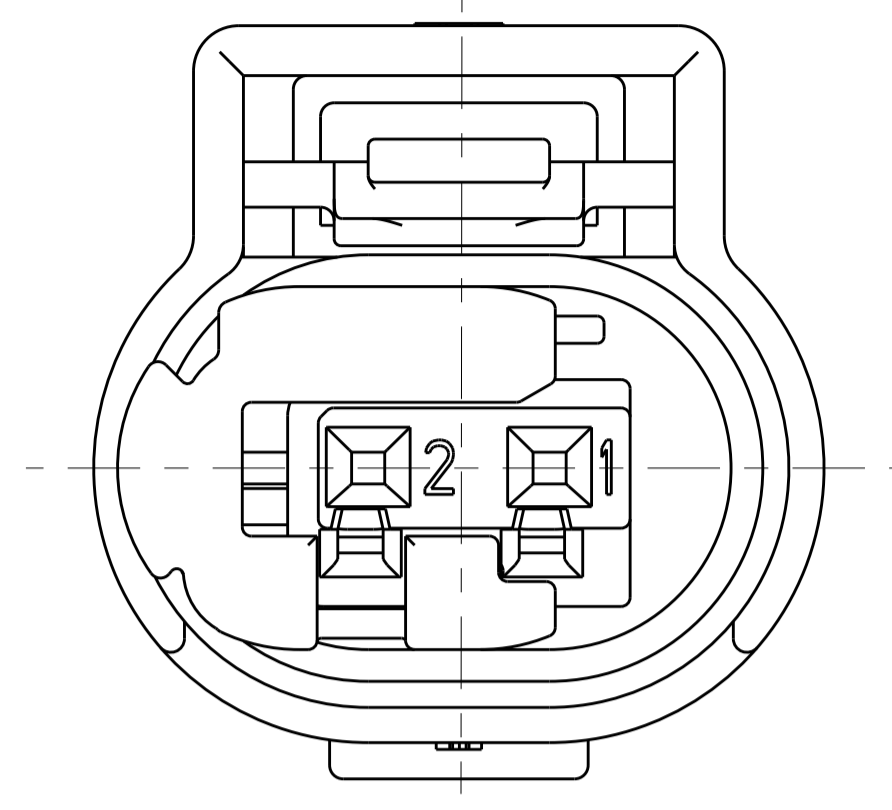
KEY CODE A  
1-1438608-1 AND 1-1438608-5 AND 2-1438608-1 ONLY  
SCALE 6:1



KEY CODE B  
1-1438608-2 AND 1-1438608-6 ONLY  
SCALE 6:1

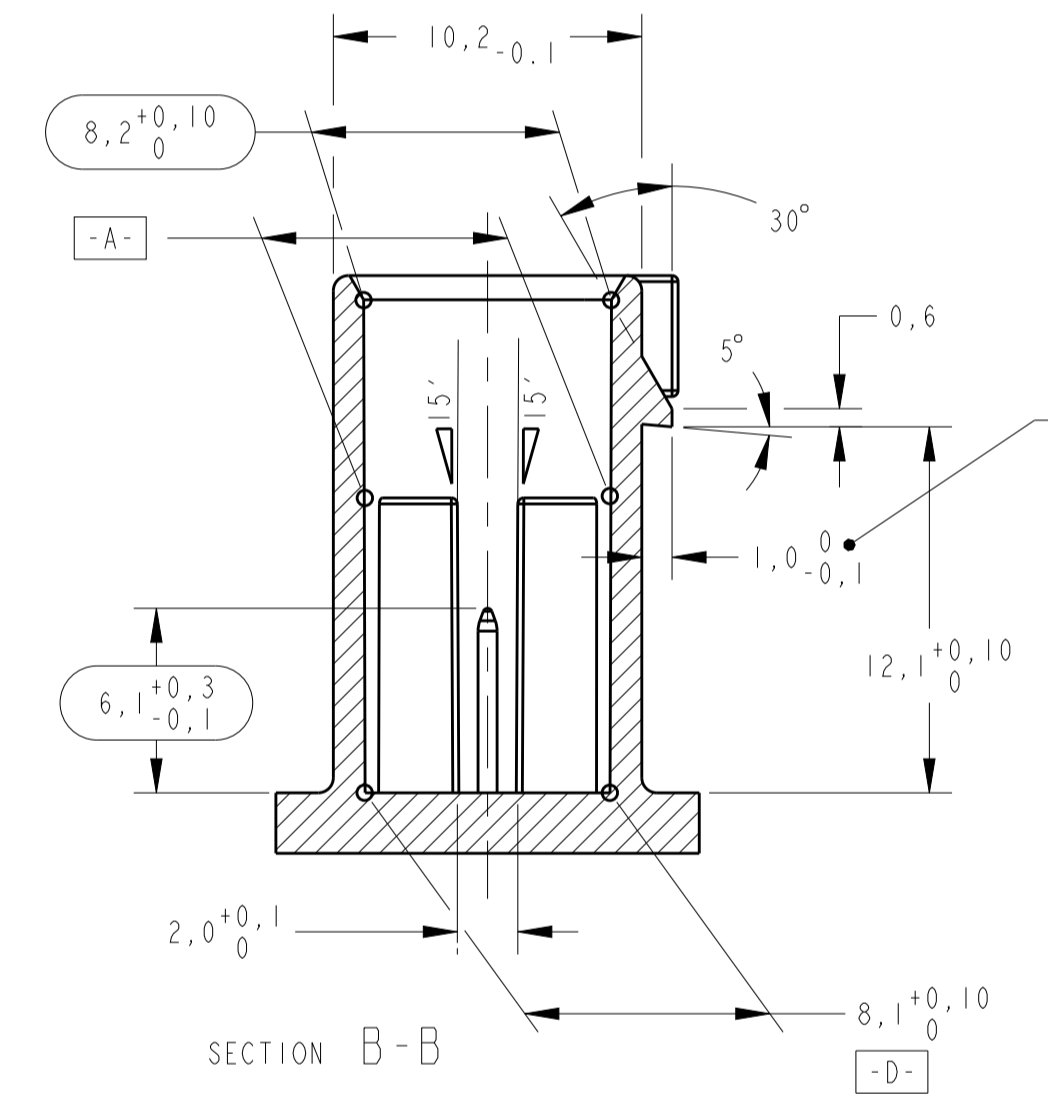
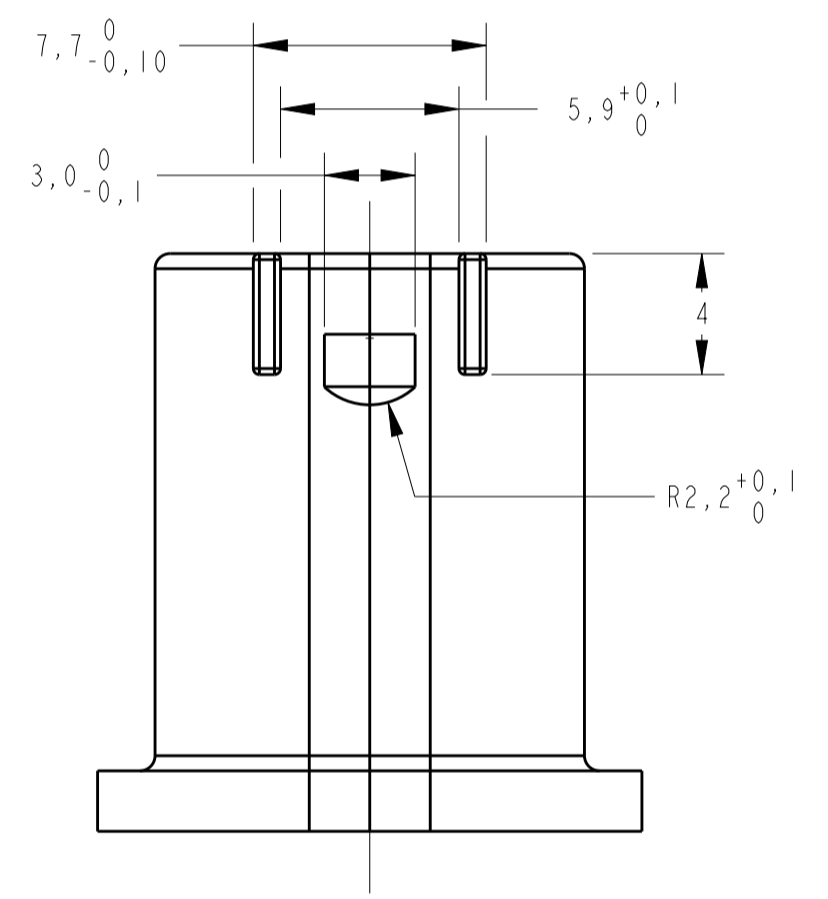


KEY CODE C  
1-1438608-3 AND 1-1438608-7 ONLY  
SCALE 6:1

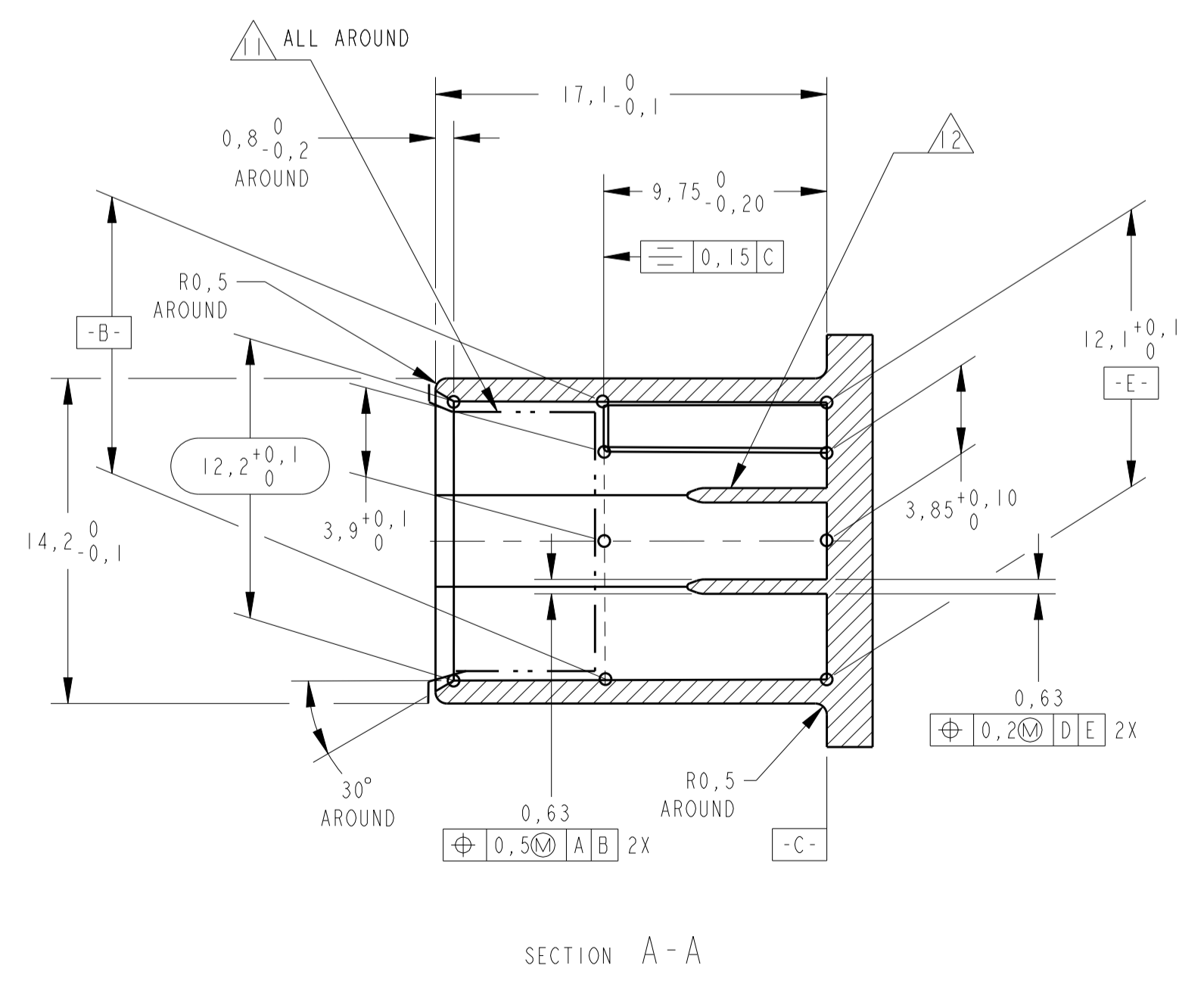
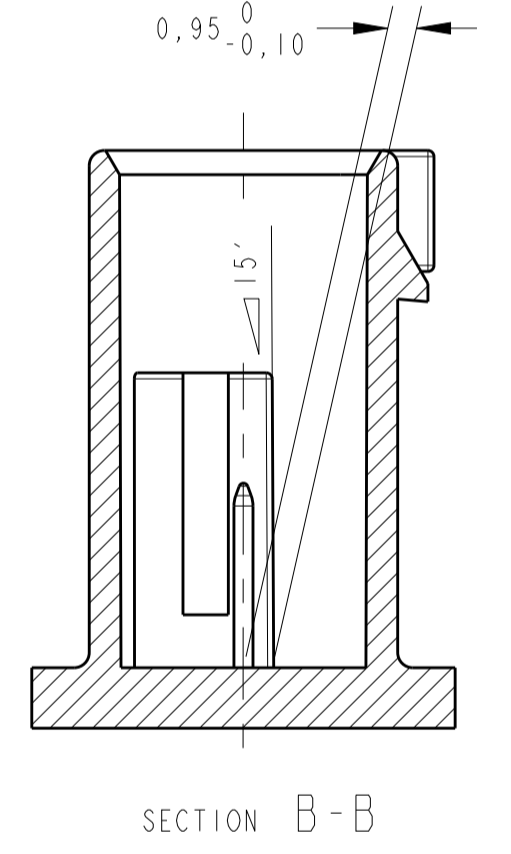
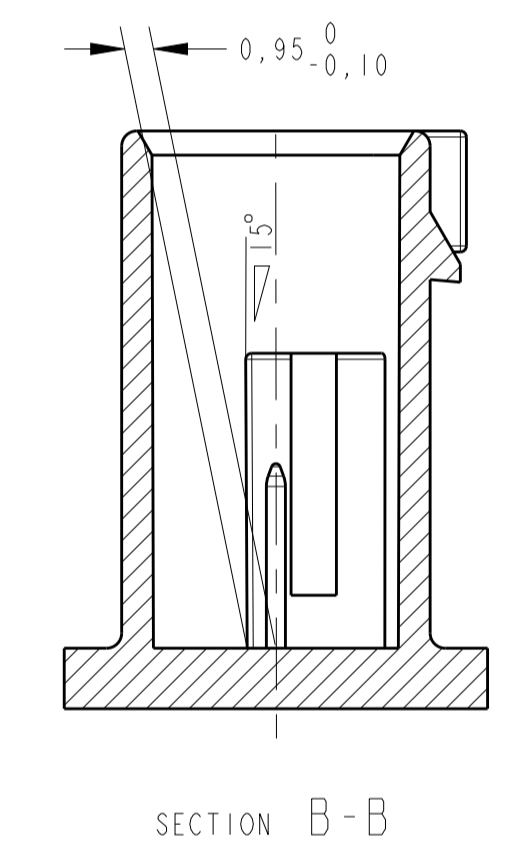
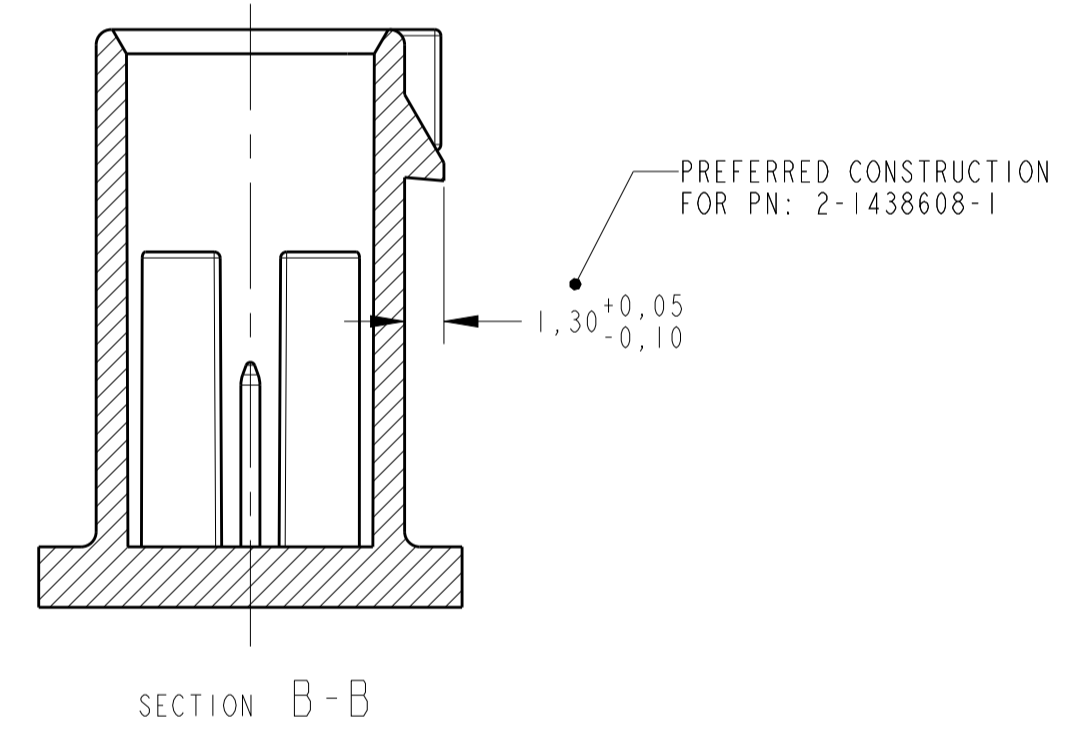


KEY CODE D 1:  $\Delta$   
1-1438708-4 AND 1-1438608-8 ONLY  
SCALE 6:1

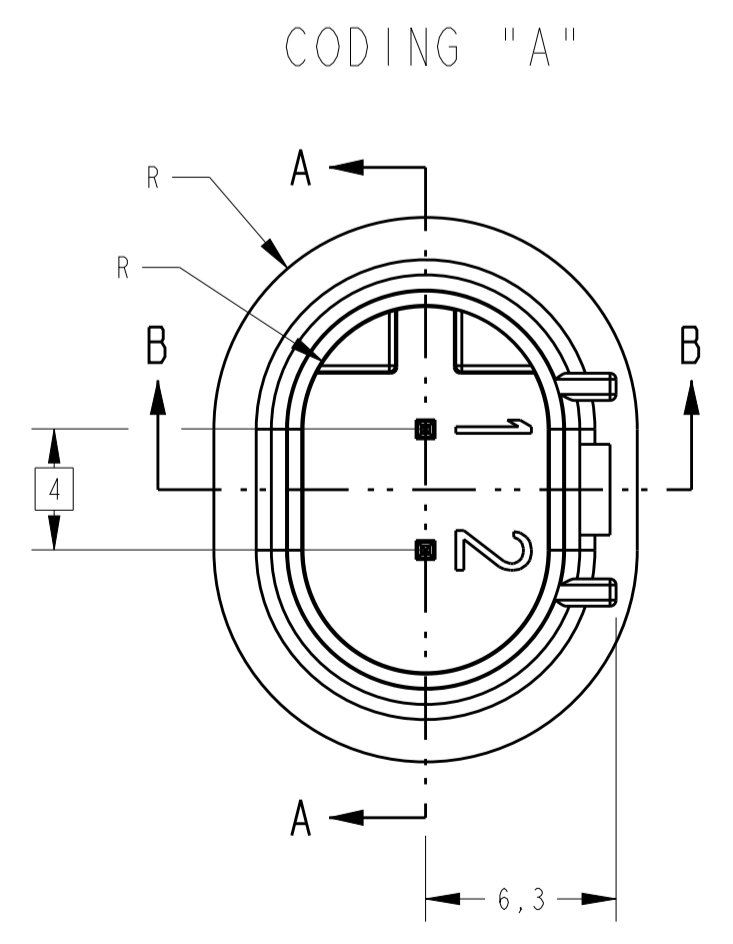
MATING CONNECTOR INFORMATION



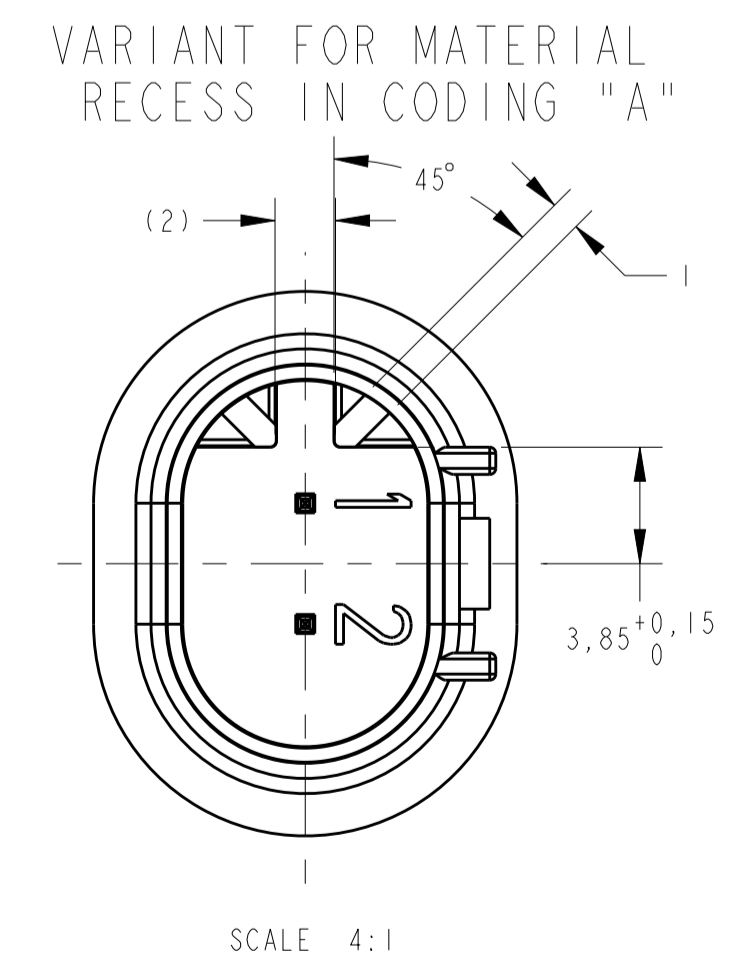
- CONSTRUCTION FOR PNs:
- 1-1438608-1
  - 1-1438608-3
  - 1-1438608-5
  - 1-1438608-7
  - 2-1438608-1
  - 1-1438608-2
  - 1-1438608-4
  - 1-1438608-6
  - 1-1438608-8



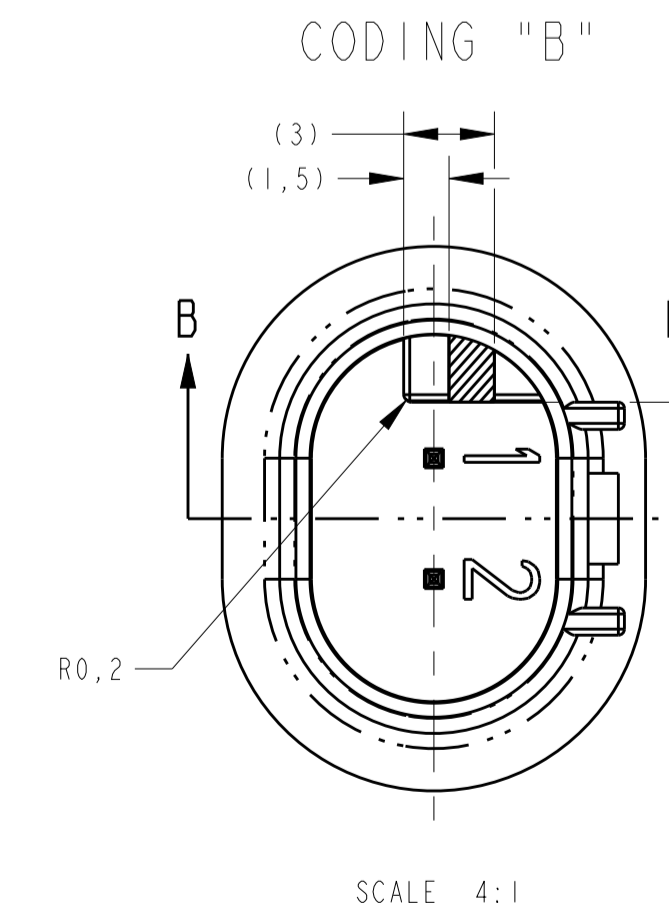
SECTION A-A



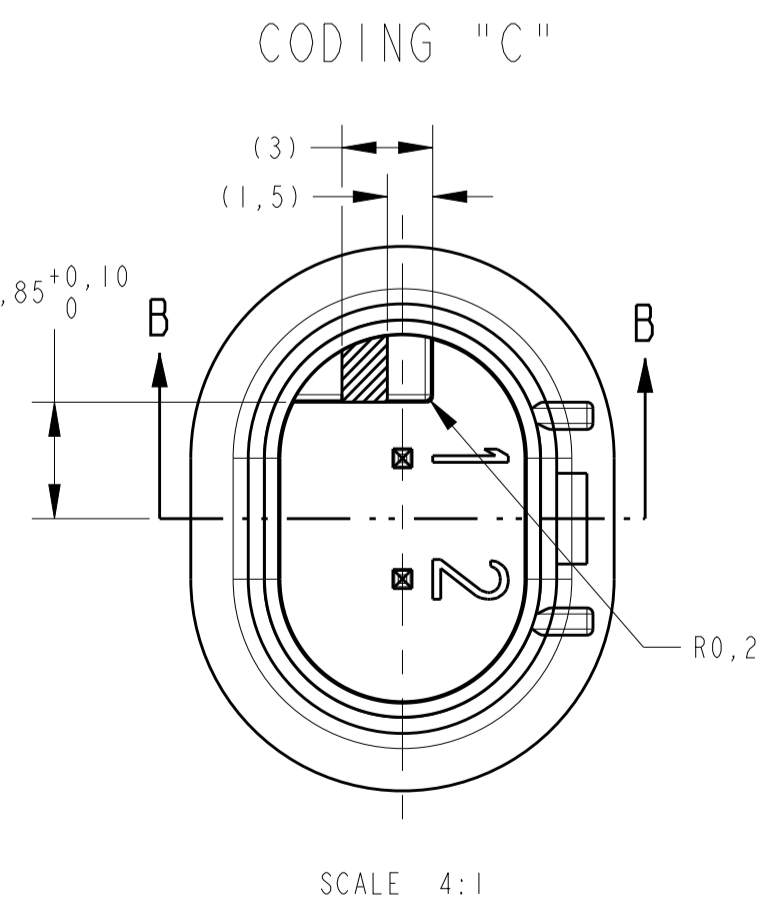
SCALE 4:1



SCALE 4:1



SCALE 4:1



SCALE 4:1

THIS DRAWING IS A CONTROLLED DOCUMENT.		OWN: R. FOLTZ 28APR2004	TE Connectivity
DIMENSIONS: mm		CHK: B. BUCHNER 28APR2004	
TOLERANCES UNLESS OTHERWISE SPECIFIED:		APPV: B. BUCHNER 28APR2004	NAME: PLUG ASSEMBLY, 2 POSITION, SEALED, MOS CLEAN BODY CONNECTOR
0 PLC ±0,5	1 PLC ±0,13	PRODUCT SPEC	SIZE: A1
2 PLC ±0,13	3 PLC ±0,13	APPLICATION SPEC	CAGE CODE: 114-37012
4 PLC ±0,13	ANGLES 40°/30°	WEIGHT	DRAWING NO: 00779
MATERIAL: SEE TABLE	FINISH: SEE TABLE	CUSTOMER DRAWING	SCALE: 4:1
			SHEET 2 OF 2

## X-ON Electronics

Largest Supplier of Electrical and Electronic Components

*Click to view similar products for [Automotive Connectors](#) category:*

*Click to view products by [TE Connectivity](#) manufacturer:*

Other Similar products are found below :

[003-018-000](#) [60403001](#) [60993906-B](#) [M902-2131](#) [M902-2161](#) [72.330.1035.1](#) [73.353.4028.0](#) [F119300-B](#) [F166900](#) [F258300-B](#) [F358300-B](#)  
[F407400](#) [F444110](#) [F487000](#) [F509500B-B](#) [827153-1](#) [8N1515-32-24P](#) [9-1326729-8](#) [925474-1](#) [928905-1](#) [964562-4](#) [968782-1](#) [GT17SA-8DS-](#)  
[HU](#) [98891-1012](#) [98947-1016](#) [12004147](#) [12004475-L](#) [12010290](#) [12010309-B](#) [12015454](#) [12020219-B](#) [12020308](#) [12041318-B](#) [12052225-L](#)  
[12052466](#) [12059125](#) [12064869](#) [12004327-B](#) [12010503-B](#) [12015308](#) [12015384](#) [12015909](#) [1-21030-1](#) [12041254](#) [12041318](#) [12047946-B](#)  
[12047957](#) [12047957-L](#) [12059473](#) [12066261](#)