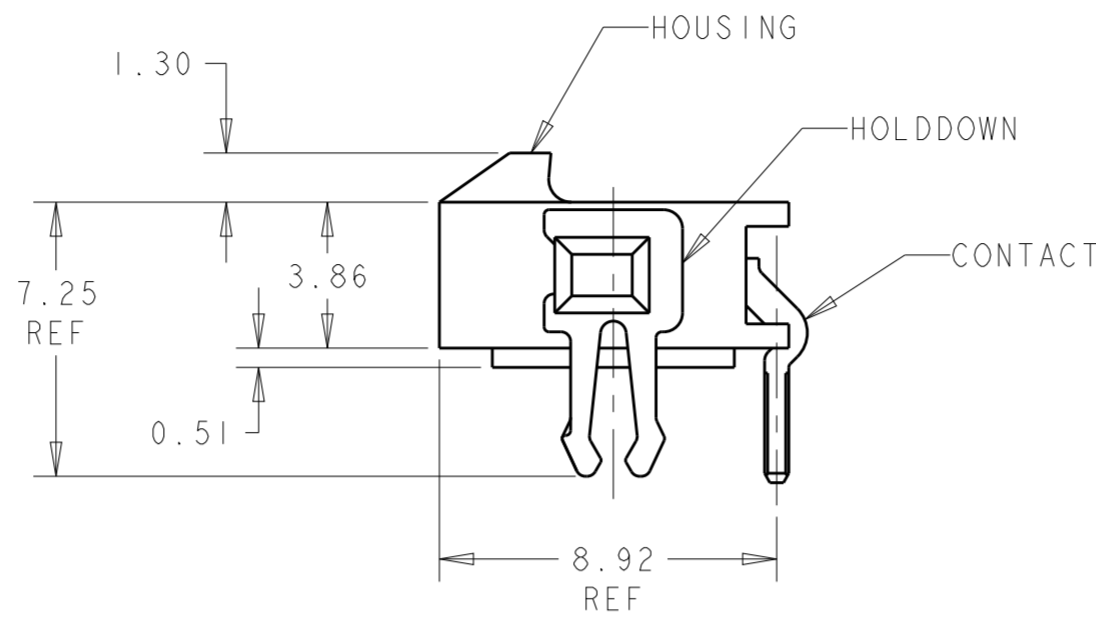
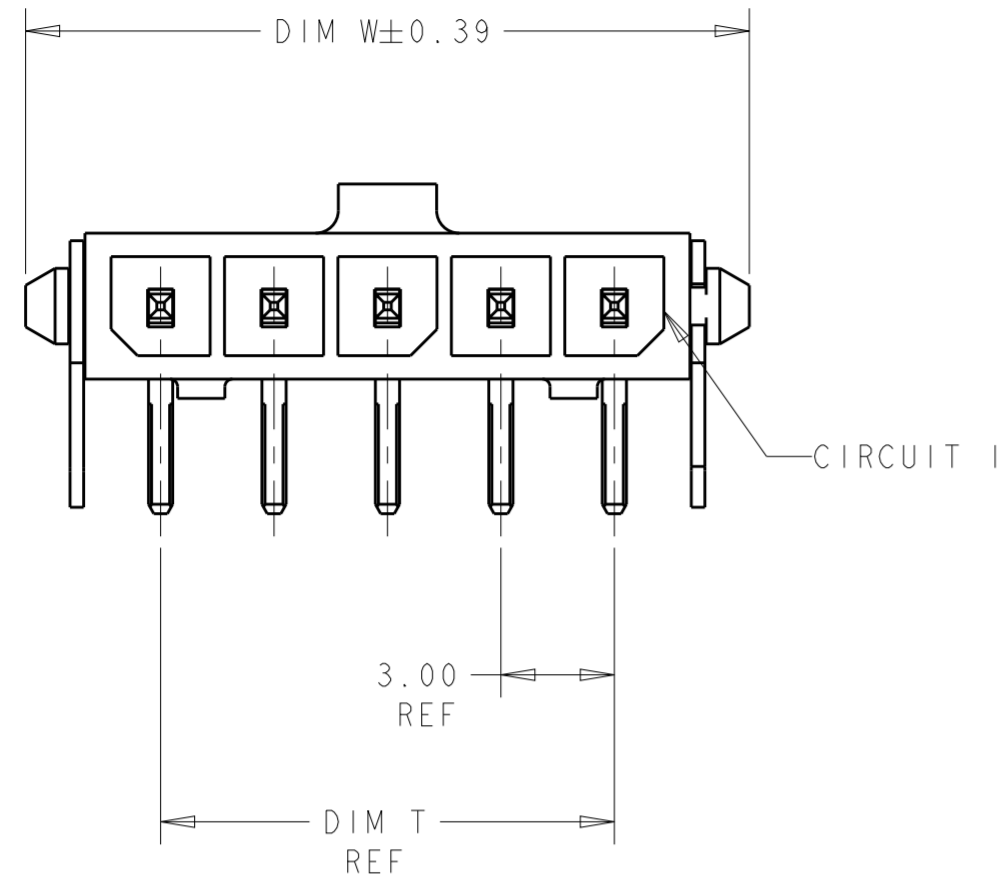
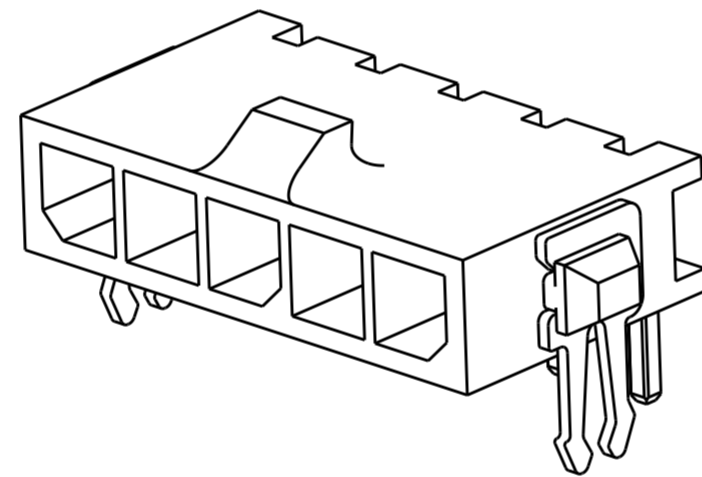
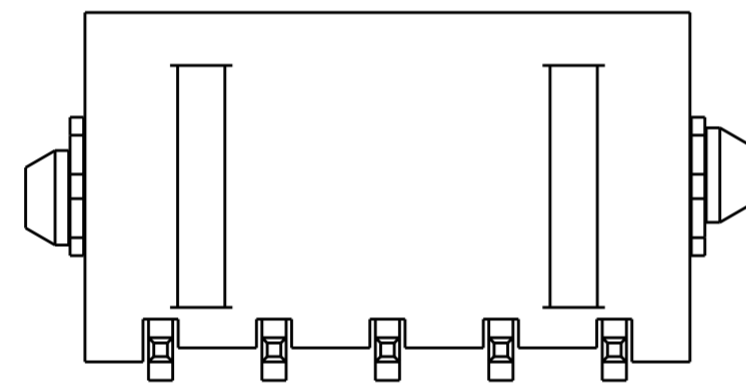


THIS DRAWING IS UNPUBLISHED. RELEASED FOR PUBLICATION 20  
 © COPYRIGHT 20 BY - ALL RIGHTS RESERVED.

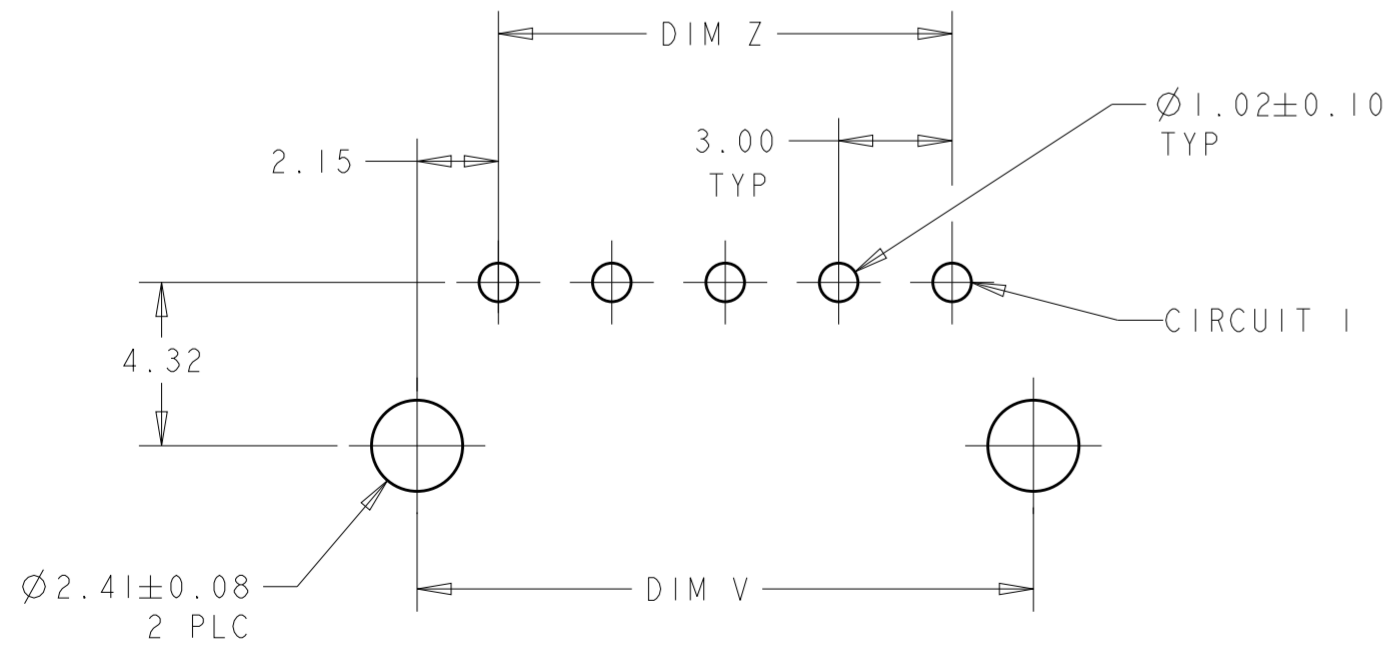
| LOC |     | DIST                      |           | REVISIONS |      |  |  |
|-----|-----|---------------------------|-----------|-----------|------|--|--|
| P   | LTR | DESCRIPTION               | DATE      | DWN       | APVD |  |  |
|     | A2  | REVISED PER ECR-16-011506 | 04JUL2017 | BW        | CX   |  |  |
|     | A3  | ECO-19-006934             | 10MAY2019 | AP        | WS   |  |  |



- 1 MATERIAL: CONTACTS - BRASS  
HOUSING - UL 94V-0 RATED HIGH TEMP NYLON, COLOR BLACK.  
HOLDDOWNS: - PHOSPHOR BRONZE.
- 2 PLATING: CONTACTS - 2.54µm MINIMUM TIN-LEAD OVER 1.27µm MINIMUM NICKEL.  
HOLDDOWNS: 2.54µm MINIMUM TIN-LEAD OVER 1.27µm MINIMUM NICKEL.
- 4 RECOMMENDED PC BOARD THICKNESS OF 1.57.
- 5 PLATING: CONTACTS - 2.54µm MINIMUM MATTE TIN OVER 1.27µm MINIMUM NICKEL.  
HOLDDOWNS: 2.54µm MINIMUM MATTE TIN OVER 1.27µm MINIMUM NICKEL.



|                           |       |       |       |       |             |             |             |
|---------------------------|-------|-------|-------|-------|-------------|-------------|-------------|
| 5                         | 33.00 | 37.43 | 33.00 | 40.14 | 12          | 3-1445054-2 |             |
| 5                         | 30.00 | 34.43 | 30.00 | 37.14 | 11          | 3-1445054-1 |             |
| 5                         | 27.00 | 31.43 | 27.00 | 34.14 | 10          | 3-1445054-0 |             |
| 5                         | 24.00 | 28.43 | 24.00 | 31.14 | 9           | 2-1445054-9 |             |
| 5                         | 21.00 | 25.43 | 21.00 | 28.14 | 8           | 2-1445054-8 |             |
| 5                         | 18.00 | 22.43 | 18.00 | 25.14 | 7           | 2-1445054-7 |             |
| 5                         | 15.00 | 19.43 | 15.00 | 22.14 | 6           | 2-1445054-6 |             |
| 5                         | 12.00 | 16.43 | 12.00 | 19.14 | 5           | 2-1445054-5 |             |
| 5                         | 9.00  | 13.43 | 9.00  | 16.14 | 4           | 2-1445054-4 |             |
| 5                         | 6.00  | 10.43 | 6.00  | 13.14 | 3           | 2-1445054-3 |             |
| 5                         | 3.00  | 7.43  | 3.00  | 10.14 | 2           | 2-1445054-2 |             |
| SUPERSEDED BY 3-1445054-2 | 2     | 33.00 | 37.43 | 33.00 | 40.14       | 12          | 1-1445054-2 |
| SUPERSEDED BY 3-1445054-1 | 2     | 30.00 | 34.43 | 30.00 | 37.14       | 11          | 1-1445054-1 |
| SUPERSEDED BY 3-1445054-0 | 2     | 27.00 | 31.43 | 27.00 | 34.14       | 10          | 1-1445054-0 |
| SUPERSEDED BY 2-1445054-9 | 2     | 24.00 | 28.43 | 24.00 | 31.14       | 9           | 1-1445054-9 |
| SUPERSEDED BY 2-1445054-8 | 2     | 21.00 | 25.43 | 21.00 | 28.14       | 8           | 1-1445054-8 |
| SUPERSEDED BY 2-1445054-7 | 2     | 18.00 | 22.43 | 18.00 | 25.14       | 7           | 1-1445054-7 |
| SUPERSEDED BY 2-1445054-6 | 2     | 15.00 | 19.43 | 15.00 | 22.14       | 6           | 1-1445054-6 |
| SUPERSEDED BY 2-1445054-5 | 2     | 12.00 | 16.43 | 12.00 | 19.14       | 5           | 1-1445054-5 |
| SUPERSEDED BY 2-1445054-4 | 2     | 9.00  | 13.43 | 9.00  | 16.14       | 4           | 1-1445054-4 |
| SUPERSEDED BY 2-1445054-3 | 2     | 6.00  | 10.43 | 6.00  | 13.14       | 3           | 1-1445054-3 |
| SUPERSEDED BY 2-1445054-2 | 2     | 3.00  | 7.43  | 3.00  | 10.14       | 2           | 1-1445054-2 |
| FINISH                    | DIM Z | DIM V | DIM T | DIM W | NO. OF POSN | PART NUMBER |             |



PCB LAYOUT COMPONENT SIDE 4

THIS DRAWING IS A CONTROLLED DOCUMENT. DWN J. ROOT 06OCT2000

CHK K. WHITAKER 13-MAR-2001

APVD K. WHITAKER 13-MAR-2001

PRODUCT SPEC 108-1836

APPLICATION SPEC 114-13000

WEIGHT -

SCALE 5:1

SHEET 1 OF 1

REV A3

STC TE Connectivity

RIGHT ANGLE THRU HOLE HEADER ASSY, TIN CONTACTS W/THRU HOLE HOLDDOWNS, SINGLE ROW, MICRO MATE-N-LOK™

SIZE A2 CAGE CODE 00779 DRAWING NO. C-1445054

CUSTOMER DRAWING

## X-ON Electronics

Largest Supplier of Electrical and Electronic Components

*Click to view similar products for [Pin & Socket Connectors](#) category:*

*Click to view products by [TE Connectivity](#) manufacturer:*

Other Similar products are found below :

[6450822-1](#) [770392-1](#) [794042-1](#) [796885-1](#) [8-794535-1](#) [PLR3455ACS-222](#) [R929991004](#) [R929993003](#) [1403611-1](#) [1-480349-5](#) [152302-5](#)  
[153211-2](#) [1586092-1](#) [1586129-1](#) [1586681-4](#) [1586700-1](#) [1586368-1](#) [1586380-1](#) [1586616-1](#) [1586680-5](#) [16-06-0038](#) [164164-5](#) [1-6609930-1](#)  
[172296-1](#) [19-09-2035](#) [200503-1](#) [200788-2](#) [2029090-4](#) [2029095-4](#) [925061-7](#) [293734-4](#) [293737-2](#) [1-765362-4](#) [1871534-1](#) [200833-4](#)  
[2008625-2](#) [2029027-2](#) [2029096-4](#) [R929991000](#) [R929991002](#) [R929993000](#) [319-10-101-00-005000](#) [319-10-102-00-001000](#) [319-10-104-00-001000](#) [319-10-105-00-001000](#) [319-10-108-00-001000](#) [319-10-112-00-006000](#) [39-01-8019](#) [319-10-101-00-001000](#) [319-10-102-00-005000](#)