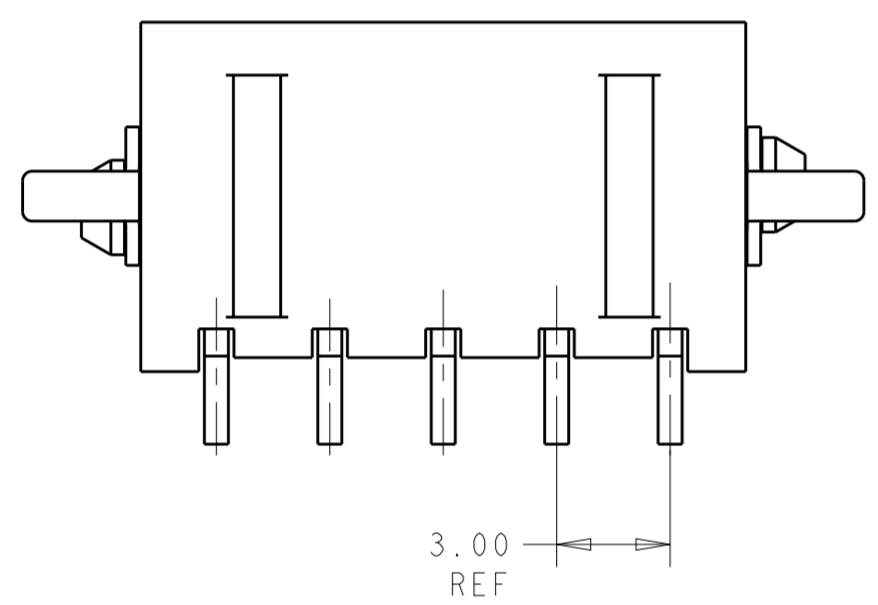
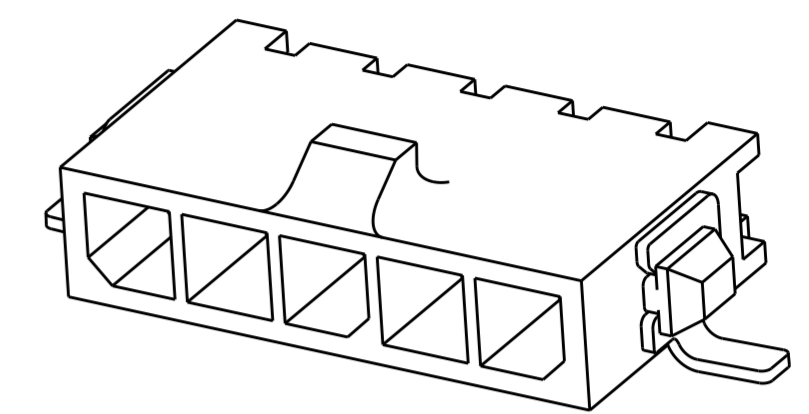
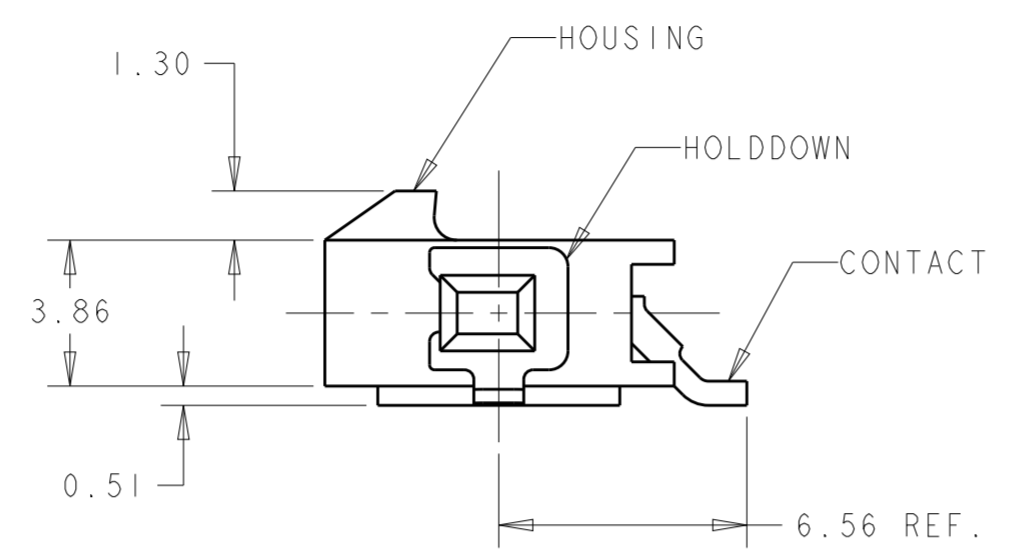
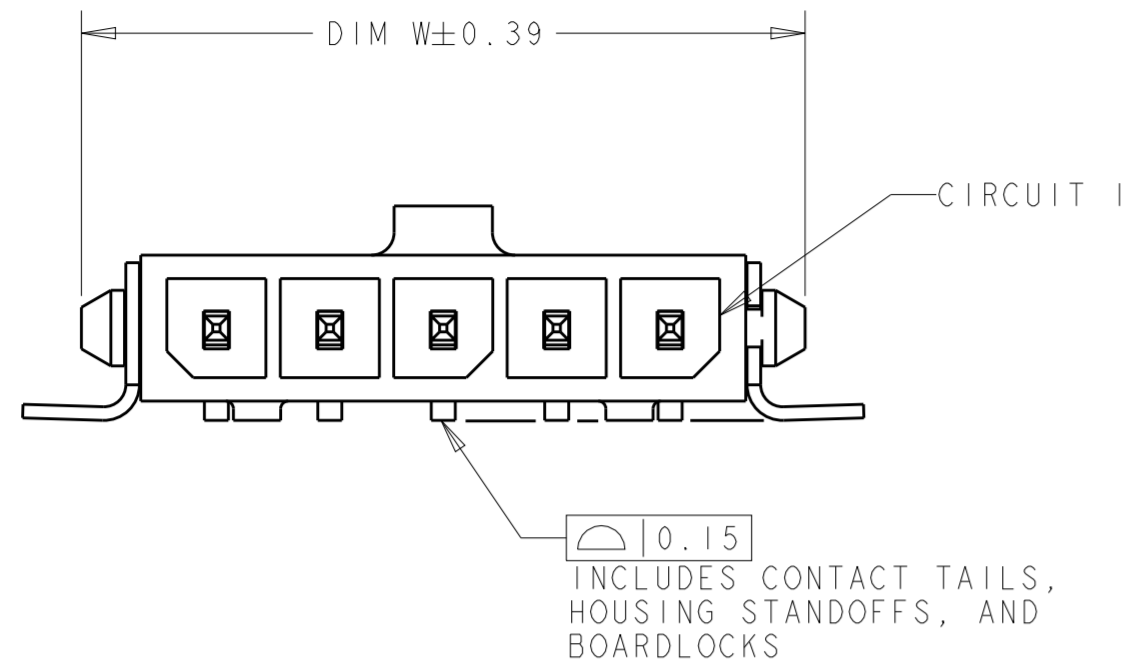


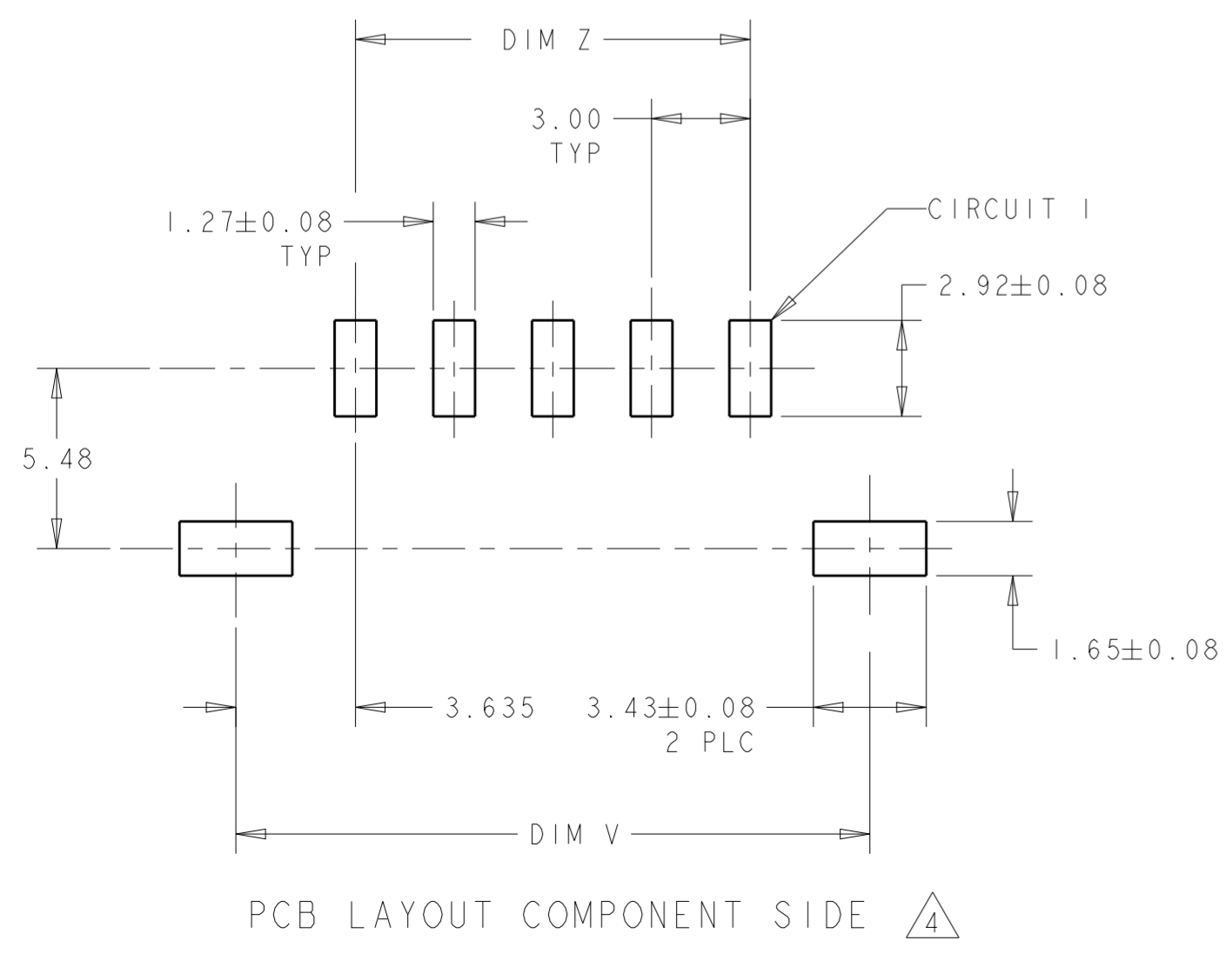
THIS DRAWING IS UNPUBLISHED. RELEASED FOR PUBLICATION 20
 © COPYRIGHT 20 BY - ALL RIGHTS RESERVED.

REVISIONS					
P	LTR	DESCRIPTION	DATE	DWN	APVD
C3		REVISED PER ECR-16-011494	20JUN2017	NK	CX
C4		REVISED PER ECO-20-010933	05AUG2020	WLS	VS



- 1 MATERIAL: CONTACTS - BRASS
HOUSING - UL 94V-0 RATED HIGH TEMP NYLON, COLOR BLACK.
HOLDDOWNS: - PHOSPHOR BRONZE.
- 2 PLATING: CONTACTS- 2.54µm MINIMUM TIN LEAD OVER 1.27µm MINIMUM NICKEL.
HOLDDOWNS- 2.54µm MINIMUM TIN-LEAD OVER 1.27µm MINIMUM NICKEL.
- 4 RECOMMENDED PC BOARD THICKNESS OF 1.57.
- 5 PLATING: CONTACTS-2.54µm MINIMUM TIN OVER 1.27µm MINIMUM NICKEL.
HOLDDOWNS- 2.54µm MINIMUM TIN OVER 1.27µm MINIMUM NICKEL.

FINISH	DIM Z	DIM V	DIM W	NO. OF POSN	PART NUMBER
5	33.00	40.27	40.00	12	3-1445057-2
5	30.00	37.27	37.00	11	3-1445057-1
5	27.00	34.27	34.00	10	3-1445057-0
5	24.00	31.27	31.00	9	2-1445057-9
5	21.00	28.27	28.00	8	2-1445057-8
5	18.00	25.27	25.00	7	2-1445057-7
5	15.00	22.27	22.00	6	2-1445057-6
5	12.00	19.27	19.00	5	2-1445057-5
5	9.00	16.27	16.00	4	2-1445057-4
5	6.00	13.27	13.00	3	2-1445057-3
5	3.00	10.27	10.00	2	2-1445057-2
2	33.00	40.27	40.00	12	3-1445057-2
2	30.00	37.27	37.00	11	3-1445057-1
2	27.00	34.27	34.00	10	3-1445057-0
2	24.00	31.27	31.00	9	2-1445057-9
2	21.00	28.27	28.00	8	2-1445057-8
2	18.00	25.27	25.00	7	2-1445057-7
2	15.00	22.27	22.00	6	2-1445057-6
2	12.00	19.27	19.00	5	2-1445057-5
2	9.00	16.27	16.00	4	2-1445057-4
2	6.00	13.27	13.00	3	2-1445057-3
2	3.00	10.27	10.00	2	2-1445057-2



SUPERSEDED BY 3-1445057-2
 SUPERSEDED BY 3-1445057-1
 SUPERSEDED BY 3-1445057-0
 SUPERSEDED BY 2-1445057-9
 SUPERSEDED BY 2-1445057-8
 SUPERSEDED BY 2-1445057-7
 SUPERSEDED BY 2-1445057-6
 SUPERSEDED BY 2-1445057-5
 SUPERSEDED BY 2-1445057-4
 SUPERSEDED BY 2-1445057-3
 SUPERSEDED BY 2-1445057-2

THIS DRAWING IS A CONTROLLED DOCUMENT.

DWN J. ROOT 03-OCT-2000
 CHK K. WHITAKER 13-MAR-2001
 APVD K. WHITAKER 13-MAR-2001

STC TE Connectivity

NAME RT ANGLE SURFACE MOUNT HEADER ASSY, TIN CONTACTS W/SURF MOUNT HOLDDOWNS, SINGLE ROW, MICRO MATE-N-LOK™

PRODUCT SPEC 108-1836
 APPLICATION SPEC 114-13000

SIZE A2 CAGE CODE 00779 DRAWING NO. C-1445057
 WEIGHT -

RESTRICTED TO

CUSTOMER DRAWING SCALE 5:1 SHEET 1 OF 1 REV C4

X-ON Electronics

Largest Supplier of Electrical and Electronic Components

Click to view similar products for [Pin & Socket Connectors](#) category:

Click to view products by [TE Connectivity](#) manufacturer:

Other Similar products are found below :

[6450822-1](#) [770392-1](#) [794042-1](#) [796885-1](#) [8-794535-1](#) [PLR3455ACS-222](#) [R929991004](#) [R929993003](#) [1403611-1](#) [1-480349-5](#) [152302-5](#)
[153211-2](#) [1586092-1](#) [1586129-1](#) [1586681-4](#) [1586700-1](#) [1586368-1](#) [1586380-1](#) [1586616-1](#) [1586680-5](#) [16-06-0038](#) [164164-5](#) [1-6609930-1](#)
[172296-1](#) [19-09-2035](#) [200503-1](#) [200788-2](#) [2029090-4](#) [2029095-4](#) [925061-7](#) [293734-4](#) [293737-2](#) [1-765362-4](#) [1871534-1](#) [200833-4](#)
[2008625-2](#) [2029027-2](#) [2029096-4](#) [R929991000](#) [R929991002](#) [R929993000](#) [319-10-101-00-005000](#) [319-10-102-00-001000](#) [319-10-104-00-001000](#) [319-10-105-00-001000](#) [319-10-108-00-001000](#) [319-10-112-00-006000](#) [39-01-8019](#) [319-10-101-00-001000](#) [319-10-102-00-005000](#)