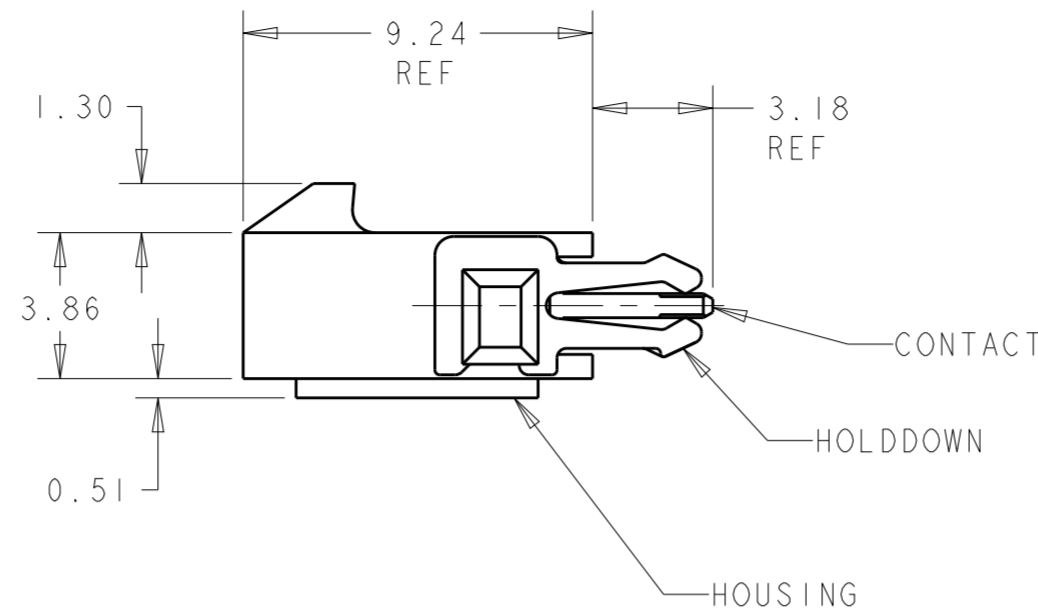
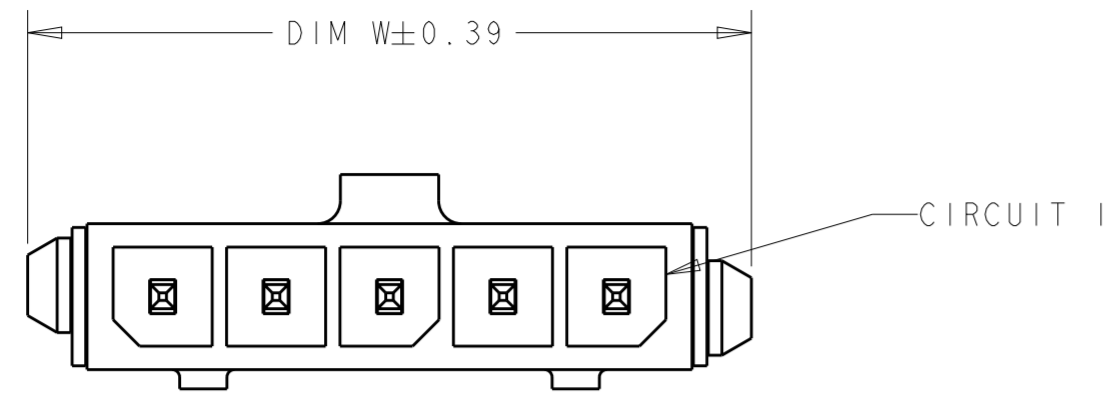
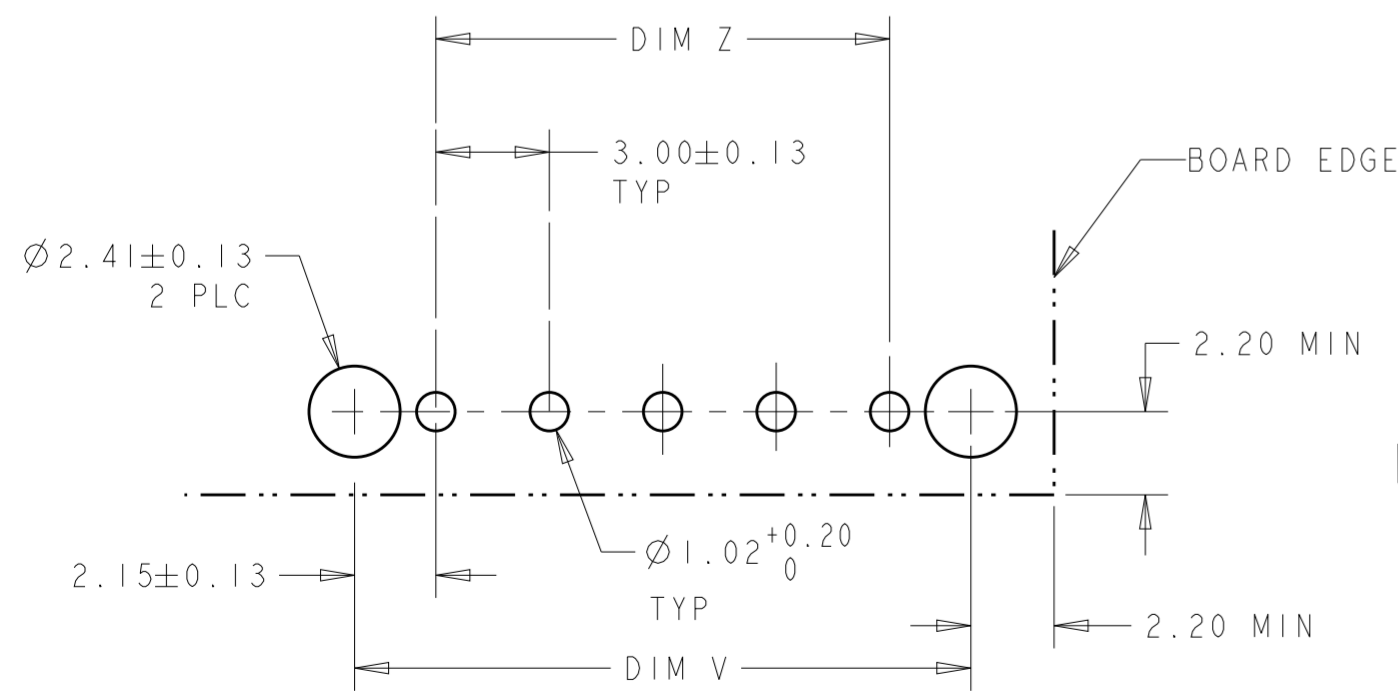
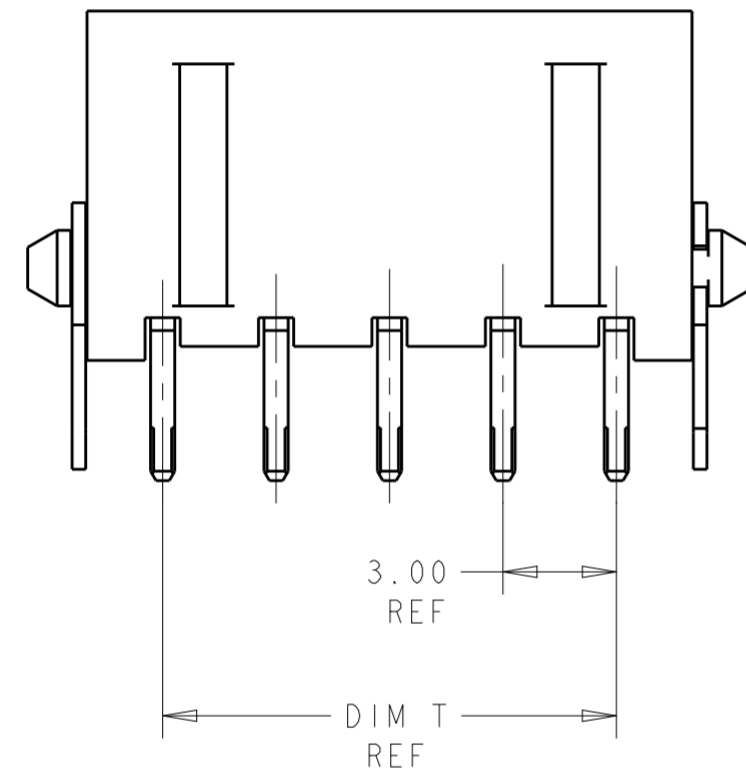


THIS DRAWING IS UNPUBLISHED. RELEASED FOR PUBLICATION 20
 © COPYRIGHT 20 BY - ALL RIGHTS RESERVED.

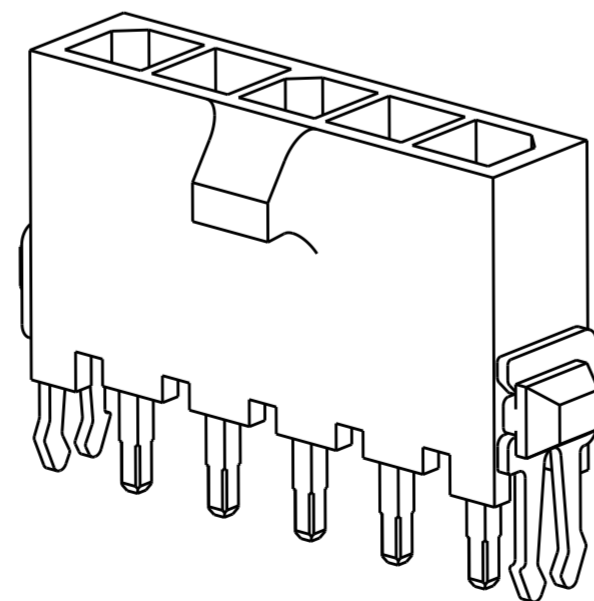
REVISIONS					
P	LTR	DESCRIPTION	DATE	DWN	APVD
A2		REVISED PER ECR-16-011494	23JUN2017	NK	CX
A3		ECO-19-006934	10MAY2019	AP	WS



- 1 MATERIAL: CONTACTS - BRASS
HOUSING - UL 94V-0 RATED HIGH TEMP NYLON, COLOR BLACK.
HOLDDOWNS: - PHOSPHOR BRONZE.
- 2 PLATING: CONTACTS - 0.38µm MINIMUM GOLD ON MATING END,
2.54µm MINIMUM TIN LEAD ON SOLDER TAILS, BOTH OVER
1.27µm MINIMUM NICKEL.
HOLDDOWNS: 2.54µm MINIMUM TIN-LEAD OVER 1.27µm MINIMUM
NICKEL.
- 4 RECOMMENDED PC BOARD THICKNESS OF 1.57.
- 5 PLATING: CONTACTS - 0.38µm MINIMUM GOLD ON MATING END,
2.54µm MINIMUM MATTE TIN ON SOLDER TAILS, BOTH OVER
1.27µm MINIMUM NICKEL.
HOLDDOWNS: 2.54µm MINIMUM MATTE TIN OVER 1.27µm MINIMUM
NICKEL.



PCB LAYOUT COMPONENT SIDE



5	33.00	37.43	33.00	40.14	12	3-1445085-2	
5	30.00	34.43	30.00	37.14	11	3-1445085-1	
5	27.00	31.43	27.00	34.14	10	3-1445085-0	
5	24.00	28.43	24.00	31.14	9	2-1445085-9	
5	21.00	25.43	21.00	28.14	8	2-1445085-8	
5	18.00	22.43	18.00	25.14	7	2-1445085-7	
5	15.00	19.43	15.00	22.14	6	2-1445085-6	
5	12.00	16.43	12.00	19.14	5	2-1445085-5	
5	9.00	13.43	9.00	16.14	4	2-1445085-4	
5	6.00	10.43	6.00	13.14	3	2-1445085-3	
5	3.00	7.43	3.00	10.14	2	2-1445085-2	
SUPERSEDED BY 3-1445085-2	2	33.00	37.43	33.00	40.14	12	1-1445085-2
SUPERSEDED BY 3-1445085-1	2	30.00	34.43	30.00	37.14	11	1-1445085-1
SUPERSEDED BY 3-1445085-0	2	27.00	31.43	27.00	34.14	10	1-1445085-0
SUPERSEDED BY 2-1445085-9	2	24.00	28.43	24.00	31.14	9	1-1445085-9
SUPERSEDED BY 2-1445085-8	2	21.00	25.43	21.00	28.14	8	1-1445085-8
SUPERSEDED BY 2-1445085-7	2	18.00	22.43	18.00	25.14	7	1-1445085-7
SUPERSEDED BY 2-1445085-6	2	15.00	19.43	15.00	22.14	6	1-1445085-6
SUPERSEDED BY 2-1445085-5	2	12.00	16.43	12.00	19.14	5	1-1445085-5
SUPERSEDED BY 2-1445085-4	2	9.00	13.43	9.00	16.14	4	1-1445085-4
SUPERSEDED BY 2-1445085-3	2	6.00	10.43	6.00	13.14	3	1-1445085-3
SUPERSEDED BY 2-1445085-2	2	3.00	7.43	3.00	10.14	2	1-1445085-2
FINISH	DIM Z	DIM V	DIM T	DIM W	NO. OF POSN	PART NUMBER	

THIS DRAWING IS A CONTROLLED DOCUMENT.		DWN J. ROOT 10OCT2000	TE Connectivity	
DIMENSIONS: mm		CHK K. WHITAKER 17-APR-2001		
TOLERANCES UNLESS OTHERWISE SPECIFIED:		APVD C. JONES 17-APR-2001	NAME VERTICAL THRU HOLE HEADER ASSY, 0.38 MIC GOLD CONTACTS W/THRU HOLE™ HOLDDOWNS, SGL ROW, MICRO MATE-N-LOK™	
0 PLC ± 1 PLC ± 2 PLC ±0.20 3 PLC ± 4 PLC ±		PRODUCT SPEC 108-1836	SIZE A2	
ANGLES ±		APPLICATION SPEC 114-13000	CAGE CODE 00779	
FINISH SEE TABLE		WEIGHT -	DRAWING NO C-1445085	
MATERIAL 1		CUSTOMER DRAWING	RESTRICTED TO -	
		SCALE 5:1	SHEET 1 OF 1	
				REV A3

X-ON Electronics

Largest Supplier of Electrical and Electronic Components

Click to view similar products for [Pin & Socket Connectors](#) category:

Click to view products by [TE Connectivity](#) manufacturer:

Other Similar products are found below :

[6450822-1](#) [770392-1](#) [794042-1](#) [796885-1](#) [8-794535-1](#) [PLR3455ACS-222](#) [R929991004](#) [R929993003](#) [1403611-1](#) [1-480349-5](#) [152302-5](#)
[153211-2](#) [1586092-1](#) [1586129-1](#) [1586681-4](#) [1586700-1](#) [1586368-1](#) [1586380-1](#) [1586616-1](#) [1586680-5](#) [16-06-0038](#) [164164-5](#) [1-6609930-1](#)
[172296-1](#) [19-09-2035](#) [200503-1](#) [200788-2](#) [2029090-4](#) [2029095-4](#) [925061-7](#) [293734-4](#) [293737-2](#) [1-765362-4](#) [1871534-1](#) [200833-4](#)
[2008625-2](#) [2029027-2](#) [2029096-4](#) [R929991000](#) [R929991002](#) [R929993000](#) [319-10-101-00-005000](#) [319-10-102-00-001000](#) [319-10-104-00-001000](#) [319-10-105-00-001000](#) [319-10-108-00-001000](#) [319-10-112-00-006000](#) [39-01-8019](#) [319-10-101-00-001000](#) [319-10-102-00-005000](#)