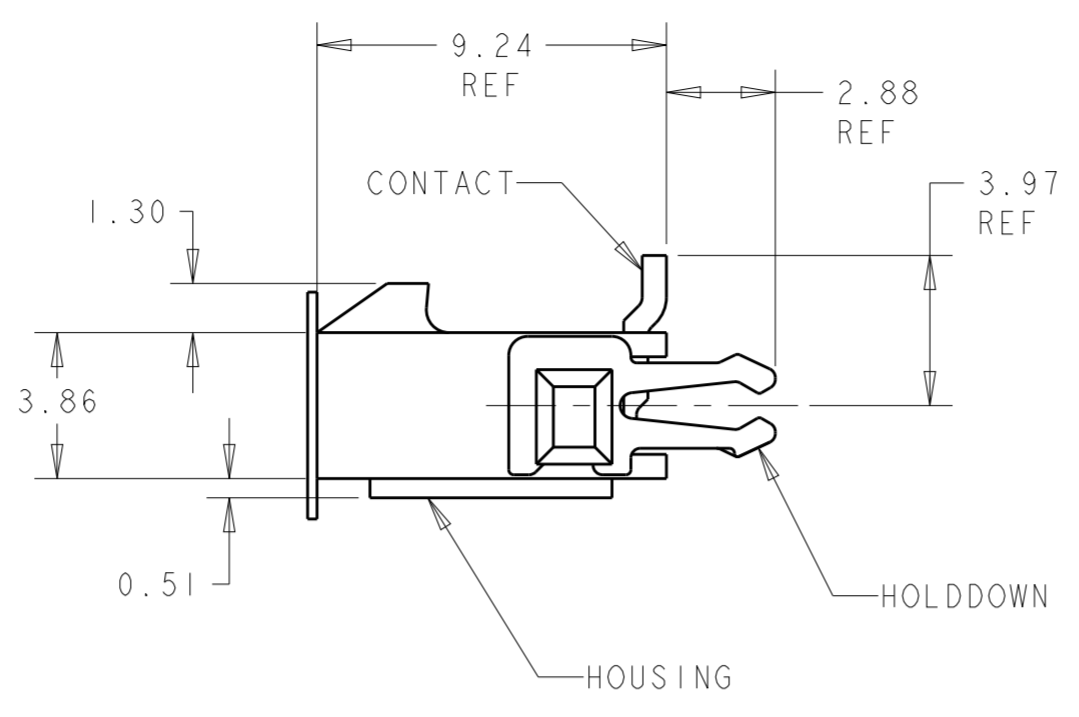
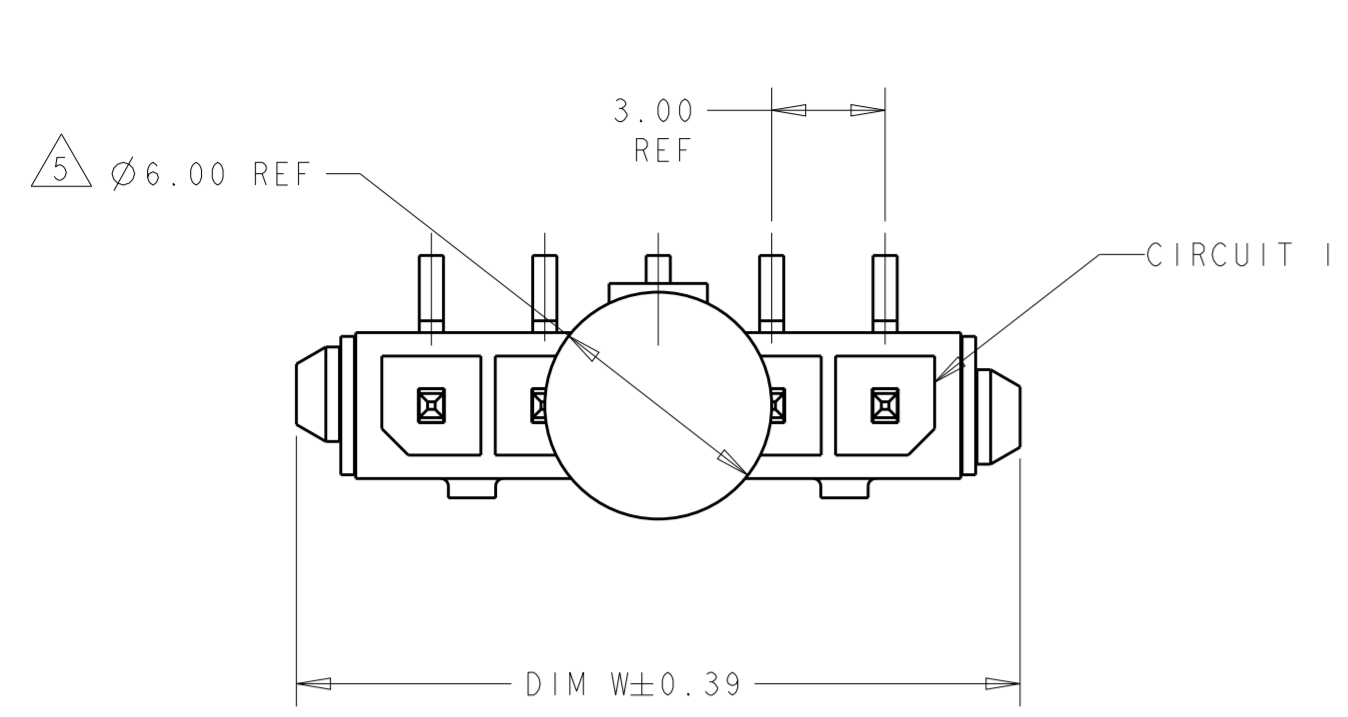
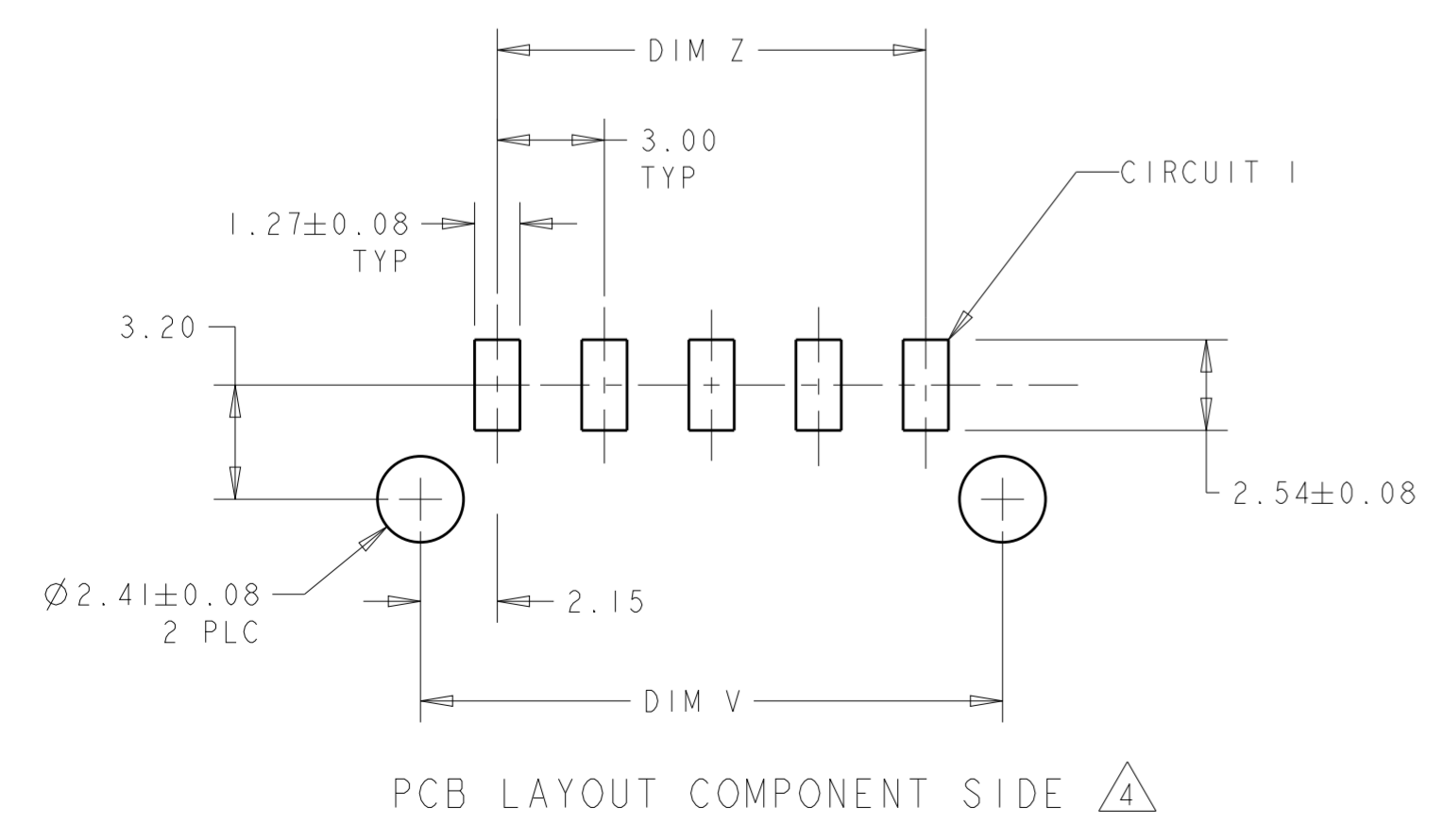
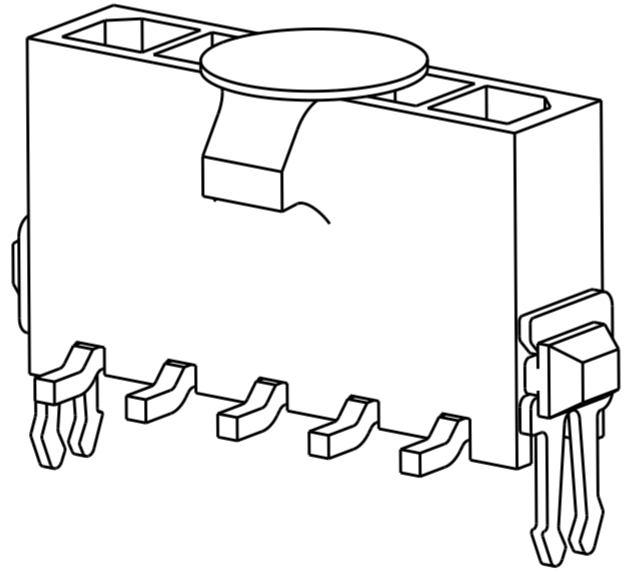
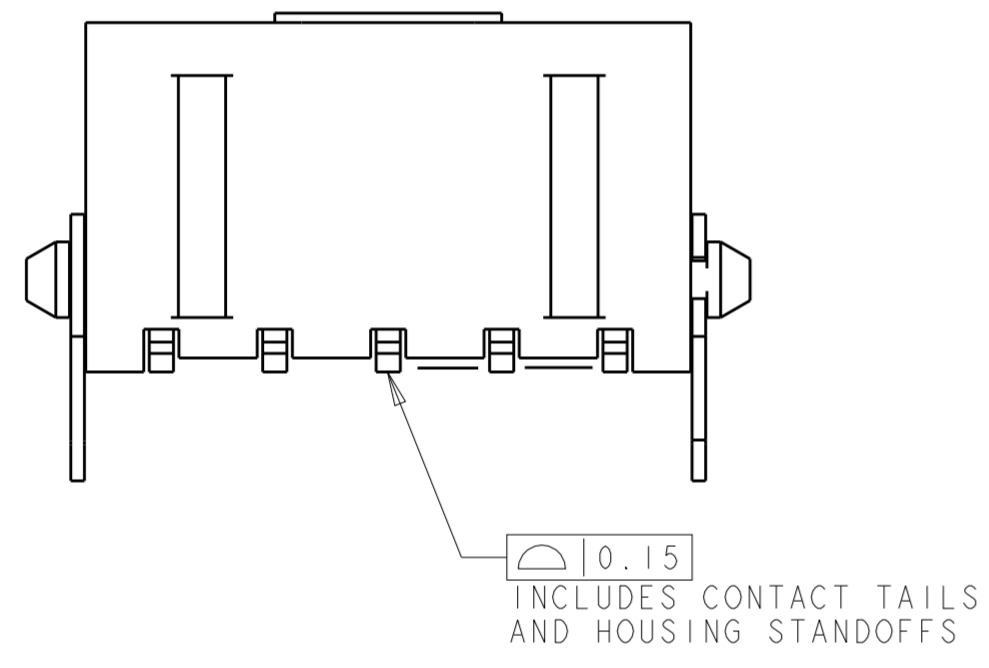


THIS DRAWING IS UNPUBLISHED. RELEASED FOR PUBLICATION 20
 © COPYRIGHT 20 BY - ALL RIGHTS RESERVED.

REVISIONS					
P	LTR	DESCRIPTION	DATE	DWN	APVD
C2		REVISED PER ECR-16-011494	20JUN2017	NK	CX
C3		ECO-19-006934	13MAY2019	AP	WS



- 1 MATERIAL: CONTACTS - BRASS
HOUSING - UL 94V-0 RATED HIGH TEMP NYLON, COLOR BLACK.
HOLDDOWNS: - PHOSPHOR BRONZE.
- 2 PLATING: CONTACTS - 0.38µm MINIMUM GOLD ON MATING END,
2.54µm MINIMUM TIN LEAD ON SOLDER TAILS, BOTH OVER
1.27µm MINIMUM NICKEL.
HOLDDOWNS: 2.54µm MINIMUM TIN-LEAD OVER 1.27µm MINIMUM
NICKEL.
- 4 RECOMMENDED PC BOARD THICKNESS OF 1.57.
- 5 KAPTON VACUUM PICK UP.
- 6 PLATING: CONTACTS - 0.38µm MINIMUM GOLD ON MATING END,
2.54µm MINIMUM MATTE TIN ON SOLDER TAILS, BOTH OVER
1.27µm MINIMUM NICKEL.
HOLDDOWNS: 2.54µm MINIMUM MATTE TIN OVER 1.27µm MINIMUM
NICKEL.



FINISH	DIM Z	DIM V	DIM W	NO. OF POSN	PART NUMBER	
6	33.00	37.43	40.00	12	3-1445086-2	
6	30.00	34.43	37.00	11	3-1445086-1	
6	27.00	31.43	34.00	10	3-1445086-0	
6	24.00	28.43	31.00	9	2-1445086-9	
6	21.00	25.43	28.00	8	2-1445086-8	
6	18.00	22.43	25.00	7	2-1445086-7	
6	15.00	19.43	22.00	6	2-1445086-6	
6	12.00	16.43	19.00	5	2-1445086-5	
6	9.00	13.43	16.00	4	2-1445086-4	
6	6.00	10.43	13.00	3	2-1445086-3	
6	3.00	7.43	10.00	2	2-1445086-2	
SUPERSEDED BY 3-1445086-2	2	33.00	37.43	40.00	12	1-1445086-2
SUPERSEDED BY 3-1445086-1	2	30.00	34.43	37.00	11	1-1445086-1
SUPERSEDED BY 3-1445086-0	2	27.00	31.43	34.00	10	1-1445086-0
SUPERSEDED BY 2-1445086-9	2	24.00	28.43	31.00	9	1-1445086-9
SUPERSEDED BY 2-1445086-8	2	21.00	25.43	28.00	8	1-1445086-8
SUPERSEDED BY 2-1445086-7	2	18.00	22.43	25.00	7	1-1445086-7
SUPERSEDED BY 2-1445086-6	2	15.00	19.43	22.00	6	1-1445086-6
SUPERSEDED BY 2-1445086-5	2	12.00	16.43	19.00	5	1-1445086-5
SUPERSEDED BY 2-1445086-4	2	9.00	13.43	16.00	4	1-1445086-4
SUPERSEDED BY 2-1445086-3	2	6.00	10.43	13.00	3	1-1445086-3
SUPERSEDED BY 2-1445086-2	2	3.00	7.43	10.00	2	1-1445086-2

THIS DRAWING IS A CONTROLLED DOCUMENT. DWN J. ROOT 09OCT2000
 CHK K. WHITAKER 20-FEB-2001
 APVD C. JONES 20-FEB-2001

STE TE Connectivity

NAME: VERTICAL SURFACE MOUNT HEADER ASSY, 15 MIC GOLD CONTACTS, THRU HOLE TM HOLDDOWNS, SGL ROW, MICRO MATE-N-LOK

SIZE: A2 CAGE CODE: 00779 DRAWING NO: C-1445086 RESTRICTED TO: -

SCALE: 5:1 SHEET: 1 OF 1 REV: C3

PRODUCT SPEC: 108-1836
 APPLICATION SPEC: 114-13000
 WEIGHT: -
 MATERIAL: SEE TABLE

X-ON Electronics

Largest Supplier of Electrical and Electronic Components

Click to view similar products for [Pin & Socket Connectors](#) category:

Click to view products by [TE Connectivity](#) manufacturer:

Other Similar products are found below :

[6450822-1](#) [770392-1](#) [794042-1](#) [796885-1](#) [8-794535-1](#) [PLR3455ACS-222](#) [R929991004](#) [R929993003](#) [1403611-1](#) [1-480349-5](#) [152302-5](#)
[153211-2](#) [1586092-1](#) [1586129-1](#) [1586681-4](#) [1586700-1](#) [1586368-1](#) [1586380-1](#) [1586616-1](#) [1586680-5](#) [16-06-0038](#) [164164-5](#) [1-6609930-1](#)
[172296-1](#) [19-09-2035](#) [200503-1](#) [200788-2](#) [2029090-4](#) [2029095-4](#) [925061-7](#) [293734-4](#) [293737-2](#) [1-765362-4](#) [1871534-1](#) [200833-4](#)
[2008625-2](#) [2029027-2](#) [2029096-4](#) [R929991000](#) [R929991002](#) [R929993000](#) [319-10-101-00-005000](#) [319-10-102-00-001000](#) [319-10-104-00-001000](#) [319-10-105-00-001000](#) [319-10-108-00-001000](#) [319-10-112-00-006000](#) [39-01-8019](#) [319-10-101-00-001000](#) [319-10-102-00-005000](#)