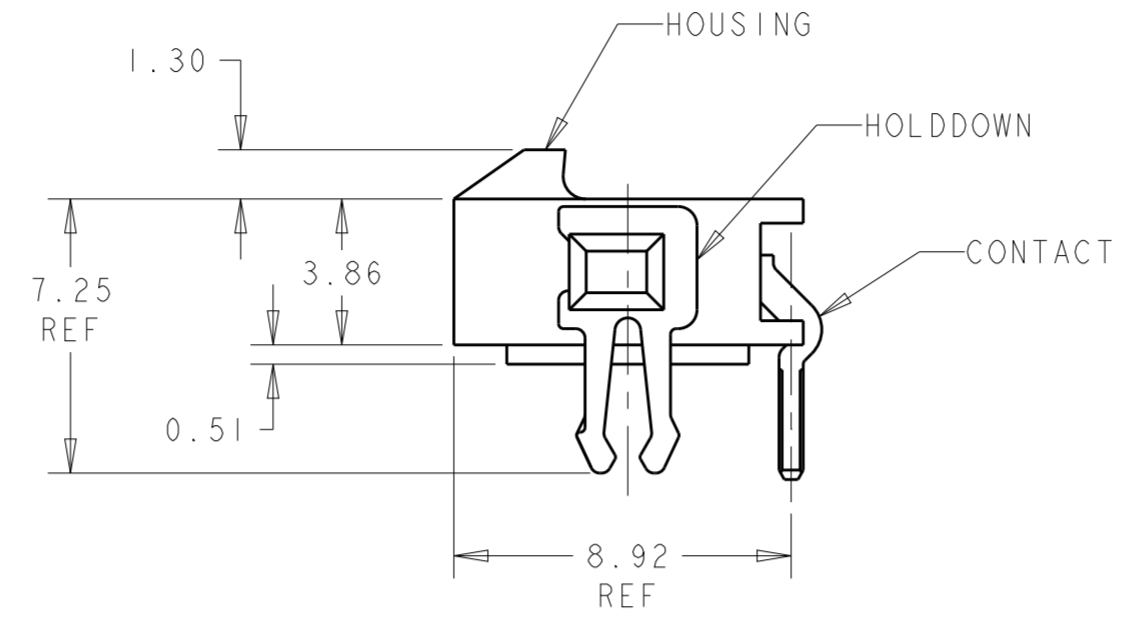
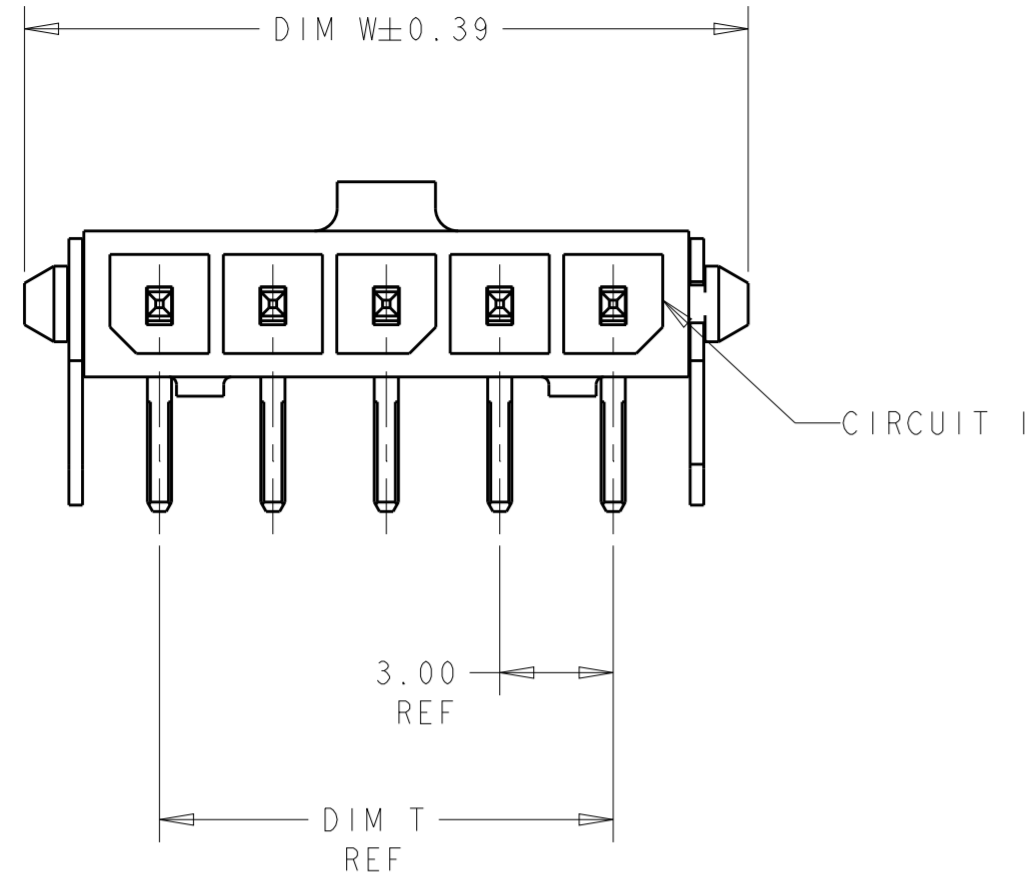
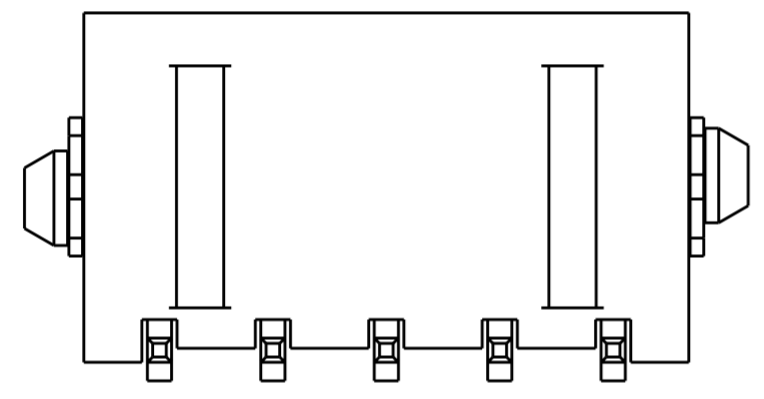


THIS DRAWING IS UNPUBLISHED. RELEASED FOR PUBLICATION 2011  
 © COPYRIGHT 2011 ALL RIGHTS RESERVED.

REVISIONS					
P	LTR	DESCRIPTION	DATE	DWN	APVD
A2		REVISED PER ECR-16-011494	26JUN2017	NK	CX
A3		ECO-19-006934	10MAY2019	AP	WS

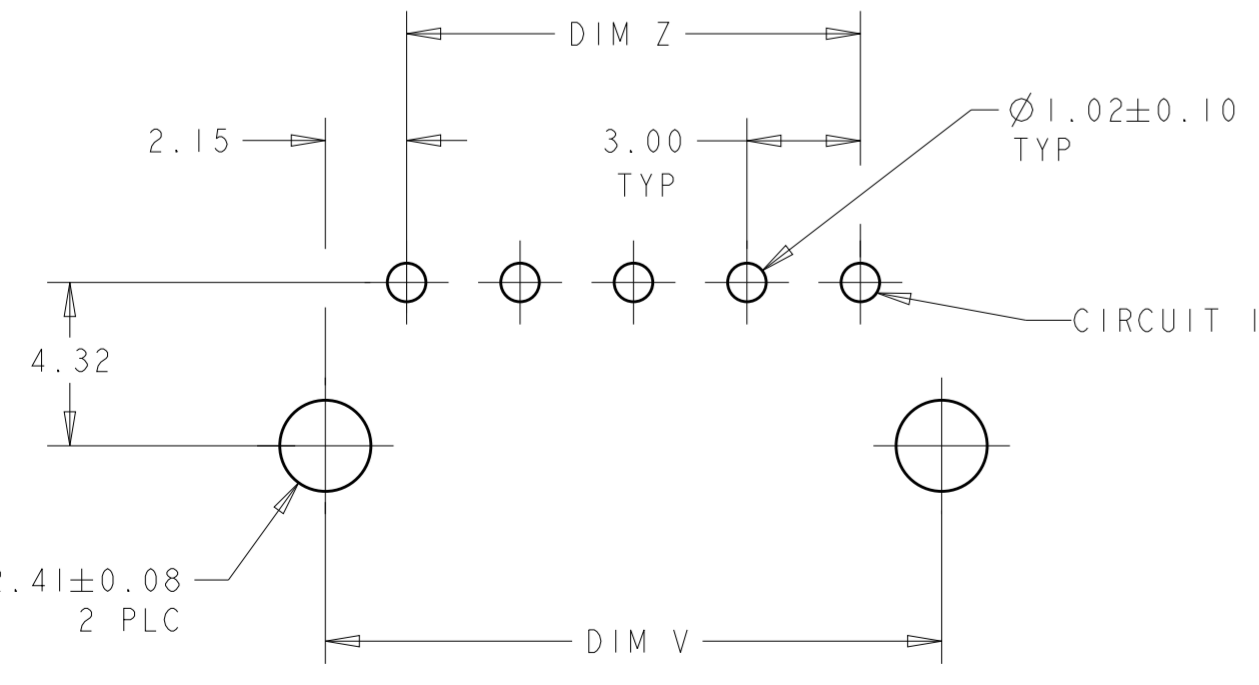
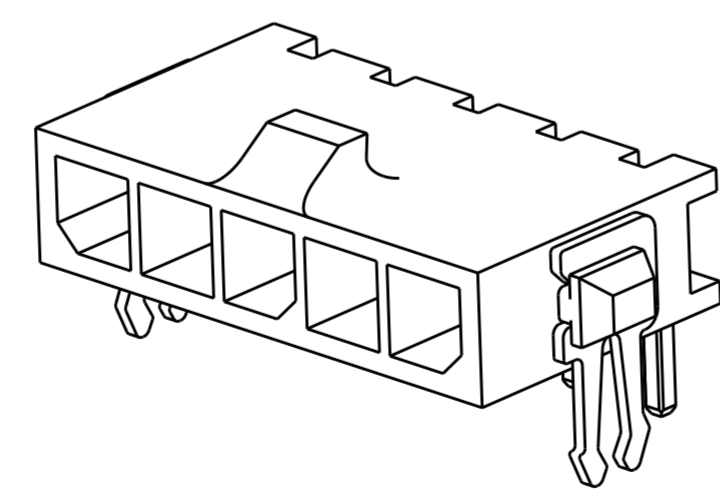


- 1 MATERIAL: CONTACTS - BRASS  
HOUSING - UL 94V-0 RATED HIGH TEMP NYLON, COLOR BLACK.  
HOLDDOWNS: - PHOSPHOR BRONZE.
- 2 PLATING: CONTACTS - 0.38µm MINIMUM GOLD ON MATING END,  
2.54µm MINIMUM TIN LEAD ON SOLDER TAILS, BOTH OVER  
1.27µm MINIMUM NICKEL.  
HOLDDOWNS: 2.54µm MINIMUM TIN-LEAD OVER 1.27µm MINIMUM  
NICKEL.
- 4 RECOMMENDED PC BOARD THICKNESS OF 1.57.
- 5 PLATING: CONTACTS - 0.38µm MINIMUM GOLD ON MATING END,  
2.54µm MINIMUM MATTE TIN ON SOLDER TAILS, BOTH OVER  
1.27µm MINIMUM NICKEL.  
HOLDDOWNS: 2.54µm MINIMUM MATTE TIN OVER 1.27µm MINIMUM  
NICKEL.



FINISH	DIM Z	DIM V	DIM T	DIM W	NO. OF POSN	PART NUMBER
5	33.00	37.43	33.00	40.14	12	3-1445088-2
5	30.00	34.43	30.00	37.14	11	3-1445088-1
5	27.00	31.43	27.00	34.14	10	3-1445088-0
5	24.00	28.43	24.00	31.14	9	2-1445088-9
5	21.00	25.43	21.00	28.14	8	2-1445088-8
5	18.00	22.43	18.00	25.14	7	2-1445088-7
5	15.00	19.43	15.00	22.14	6	2-1445088-6
5	12.00	16.43	12.00	19.14	5	2-1445088-5
5	9.00	13.43	9.00	16.14	4	2-1445088-4
5	6.00	10.43	6.00	13.14	3	2-1445088-3
5	3.00	7.43	3.00	10.14	2	2-1445088-2
2	33.00	37.43	33.00	40.14	12	+1445088-2-
2	30.00	34.43	30.00	37.14	11	+1445088-1-
2	27.00	31.43	27.00	34.14	10	+1445088-0-
2	24.00	28.43	24.00	31.14	9	-1445088-9-
2	21.00	25.43	21.00	28.14	8	-1445088-8-
2	18.00	22.43	18.00	25.14	7	-1445088-7-
2	15.00	19.43	15.00	22.14	6	-1445088-6-
2	12.00	16.43	12.00	19.14	5	-1445088-5-
2	9.00	13.43	9.00	16.14	4	-1445088-4-
2	6.00	10.43	6.00	13.14	3	-1445088-3-
2	3.00	7.43	3.00	10.14	2	-1445088-2-

SUPERCEDED BY 3-1445088-2  
 SUPERCEDED BY 3-1445088-1  
 SUPERCEDED BY 3-1445088-0  
 SUPERCEDED BY 2-1445088-9  
 SUPERCEDED BY 2-1445088-8  
 SUPERCEDED BY 2-1445088-7  
 SUPERCEDED BY 2-1445088-6  
 SUPERCEDED BY 2-1445088-5  
 SUPERCEDED BY 2-1445088-4  
 SUPERCEDED BY 2-1445088-3  
 SUPERCEDED BY 2-1445088-2



PCB LAYOUT COMPONENT SIDE 4

THIS DRAWING IS A CONTROLLED DOCUMENT. DWN J.ROOT 09OCT2000  
 CHK K.WHITAKER 17-APR-2001  
 APVD C.JONES 17-APR-2001

STC TE Connectivity

RT ANG THRU HOLE HEADER ASSY,  
 0.38 MIC GOLD CONTACTS W/THRU HOLE  
 HOLDDOWNS, SGL ROW, MICRO MATE-N-LOK™

PRODUCT SPEC 108-1836  
 APPLICATION SPEC 114-13000  
 WEIGHT -

SIZE A2 CAGE CODE 00779 DRAWING NO C-1445088 RESTRICTED TO -  
 SCALE 5:1 SHEET 1 OF 1 REV A3

MATERIAL 1 SEE TABLE

CUSTOMER DRAWING

## X-ON Electronics

Largest Supplier of Electrical and Electronic Components

*Click to view similar products for [Pin & Socket Connectors](#) category:*

*Click to view products by [TE Connectivity](#) manufacturer:*

Other Similar products are found below :

[6450822-1](#) [770392-1](#) [794042-1](#) [796885-1](#) [8-794535-1](#) [PLR3455ACS-222](#) [R929991004](#) [R929993003](#) [1403611-1](#) [1-480349-5](#) [152302-5](#)  
[153211-2](#) [1586092-1](#) [1586129-1](#) [1586681-4](#) [1586700-1](#) [1586368-1](#) [1586380-1](#) [1586616-1](#) [1586680-5](#) [16-06-0038](#) [164164-5](#) [1-6609930-1](#)  
[172296-1](#) [19-09-2035](#) [200503-1](#) [200788-2](#) [2029090-4](#) [2029095-4](#) [925061-7](#) [293734-4](#) [293737-2](#) [1-765362-4](#) [1-794606-3](#) [1871534-1](#)  
[200833-4](#) [2008625-2](#) [2029027-2](#) [2029096-4](#) [R929991000](#) [R929991002](#) [R929993000](#) [319-10-101-00-005000](#) [319-10-102-00-001000](#)  
[319-10-104-00-001000](#) [319-10-105-00-001000](#) [319-10-108-00-001000](#) [319-10-112-00-006000](#) [39-01-8019](#) [319-10-101-00-001000](#)