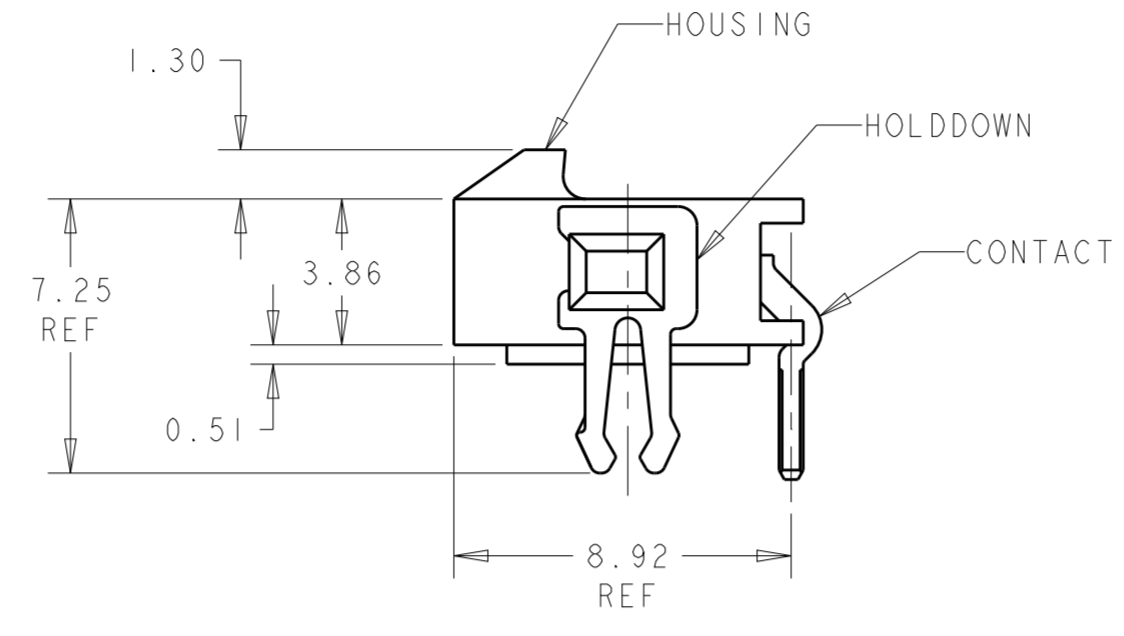
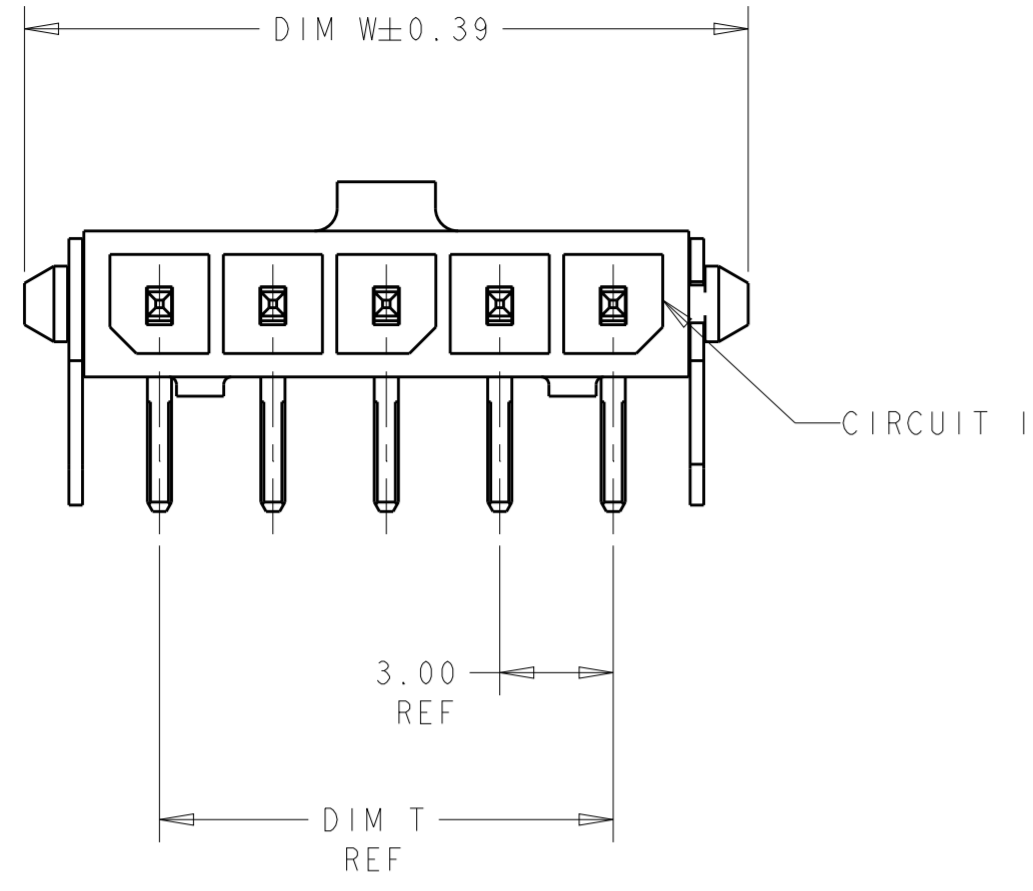
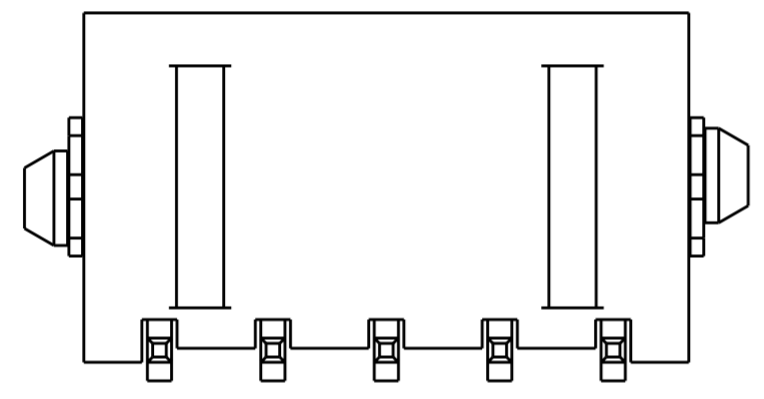


THIS DRAWING IS UNPUBLISHED. RELEASED FOR PUBLICATION 2011
 © COPYRIGHT 2011 ALL RIGHTS RESERVED.

REVISIONS					
P	LTR	DESCRIPTION	DATE	DWN	APVD
A2		REVISED PER ECR-16-011494	26JUN2017	NK	CX
A3		ECO-19-006934	10MAY2019	AP	WS

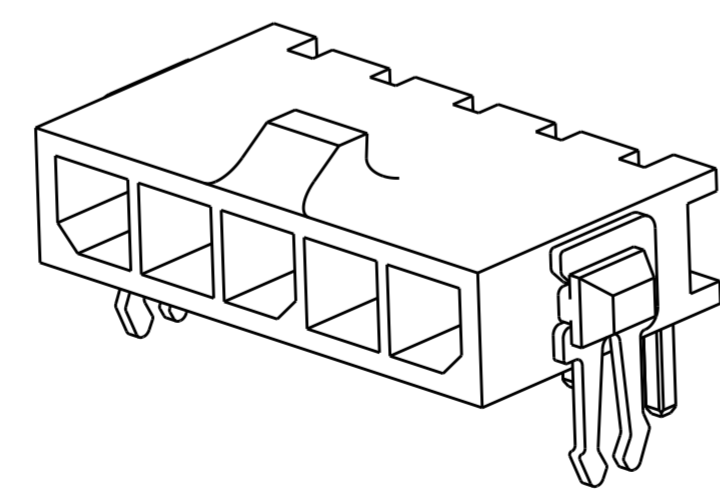
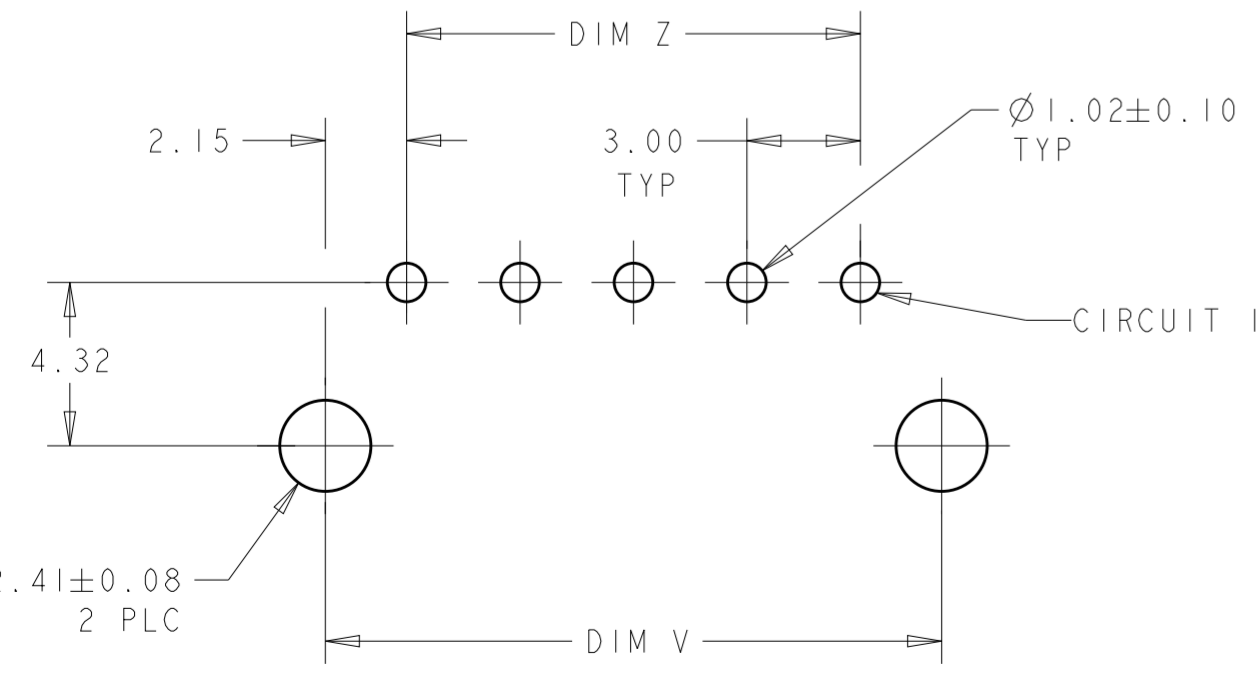


- 1 MATERIAL: CONTACTS - BRASS
HOUSING - UL 94V-0 RATED HIGH TEMP NYLON, COLOR BLACK.
HOLDDOWNS: - PHOSPHOR BRONZE.
- 2 PLATING: CONTACTS - 0.38µm MINIMUM GOLD ON MATING END,
2.54µm MINIMUM TIN LEAD ON SOLDER TAILS, BOTH OVER
1.27µm MINIMUM NICKEL.
HOLDDOWNS: 2.54µm MINIMUM TIN-LEAD OVER 1.27µm MINIMUM
NICKEL.
- 4 RECOMMENDED PC BOARD THICKNESS OF 1.57.
- 5 PLATING: CONTACTS - 0.38µm MINIMUM GOLD ON MATING END,
2.54µm MINIMUM MATTE TIN ON SOLDER TAILS, BOTH OVER
1.27µm MINIMUM NICKEL.
HOLDDOWNS: 2.54µm MINIMUM MATTE TIN OVER 1.27µm MINIMUM
NICKEL.



FINISH	DIM Z	DIM V	DIM T	DIM W	NO. OF POSN	PART NUMBER
5	33.00	37.43	33.00	40.14	12	3-1445088-2
5	30.00	34.43	30.00	37.14	11	3-1445088-1
5	27.00	31.43	27.00	34.14	10	3-1445088-0
5	24.00	28.43	24.00	31.14	9	2-1445088-9
5	21.00	25.43	21.00	28.14	8	2-1445088-8
5	18.00	22.43	18.00	25.14	7	2-1445088-7
5	15.00	19.43	15.00	22.14	6	2-1445088-6
5	12.00	16.43	12.00	19.14	5	2-1445088-5
5	9.00	13.43	9.00	16.14	4	2-1445088-4
5	6.00	10.43	6.00	13.14	3	2-1445088-3
5	3.00	7.43	3.00	10.14	2	2-1445088-2
2	33.00	37.43	33.00	40.14	12	+1445088-2-
2	30.00	34.43	30.00	37.14	11	+1445088-1-
2	27.00	31.43	27.00	34.14	10	+1445088-0-
2	24.00	28.43	24.00	31.14	9	-1445088-9-
2	21.00	25.43	21.00	28.14	8	-1445088-8-
2	18.00	22.43	18.00	25.14	7	-1445088-7-
2	15.00	19.43	15.00	22.14	6	-1445088-6-
2	12.00	16.43	12.00	19.14	5	-1445088-5-
2	9.00	13.43	9.00	16.14	4	-1445088-4-
2	6.00	10.43	6.00	13.14	3	-1445088-3-
2	3.00	7.43	3.00	10.14	2	-1445088-2-

SUPERCEDED BY 3-1445088-2
 SUPERCEDED BY 3-1445088-1
 SUPERCEDED BY 3-1445088-0
 SUPERCEDED BY 2-1445088-9
 SUPERCEDED BY 2-1445088-8
 SUPERCEDED BY 2-1445088-7
 SUPERCEDED BY 2-1445088-6
 SUPERCEDED BY 2-1445088-5
 SUPERCEDED BY 2-1445088-4
 SUPERCEDED BY 2-1445088-3
 SUPERCEDED BY 2-1445088-2



PCB LAYOUT COMPONENT SIDE 4

THIS DRAWING IS A CONTROLLED DOCUMENT. DWN J.ROOT 09OCT2000
 CHK K.WHITAKER 17-APR-2001
 APVD C.JONES 17-APR-2001

STC TE Connectivity

RT ANG THRU HOLE HEADER ASSY,
 0.38 MIC GOLD CONTACTS W/THRU HOLE
 HOLDDOWNS, SGL ROW, MICRO MATE-N-LOK™

SIZE A2 CAGE CODE 00779 DRAWING NO C-1445088 RESTRICTED TO -
 SCALE 5:1 SHEET 1 OF 1 REV A3

PRODUCT SPEC 108-1836
 APPLICATION SPEC 114-13000
 WEIGHT -
 MATERIAL SEE TABLE
 DIMENSIONS: mm TOLERANCES UNLESS OTHERWISE SPECIFIED:
 0 PLC ±
 1 PLC ±
 2 PLC ±0.13
 3 PLC ±
 4 PLC ±
 ANGLES ±
 FINISH

X-ON Electronics

Largest Supplier of Electrical and Electronic Components

Click to view similar products for [TE Connectivity](#) manufacturer:

Other Similar products are found below :

[D38999/24FJ4AN](#) [570416-000](#) [CLTEQ-M81CE-SSRELAY-4-20V](#) [4-1195131-0](#) [650069-000](#) [SMD100-2](#) [358838-000](#) [CB-1022B-78](#)
[RM707012](#) [RP410012](#) [MMS42](#) [1-640426-8](#) [2EDL4CM](#) [DTS20W19-11PD-3028-LC](#) [RM202615](#) [NC6-P104-06](#) [MSPS103B](#) [DTS26F21-](#)
[41HE-LC](#) [DTS26F21-41AE](#) [DTS26F21-41PE-LC](#) [DTS26F21-11SE-3028-LC](#) [30DCB6](#) [1932144-1](#) [293545-4](#) [LVR125S](#) [MS27466T25F4PB](#)
[CKB-38-78010](#) [TR04AI-TINELLOCKRING](#) [1206SFF150F/63-2](#) [D38999/20JB35HA](#) [TE1500A2R2J](#) [D38999/20WC8BB](#) [DTS24F19-11SC-](#)
[3028-LC](#) [D38999/24WG11HA](#) [D38999/24WG11HN](#) [MS27467T21F11H](#) [DJT16E21-11HA](#) [MS27467T21F35J](#) [MS27467T21F11J](#)
[MS27467T21F16H-LC](#) [MS27467T21F35H](#) [MS27467T21F41H-LC](#) [1206SFH150F/24-2](#) [RP330024](#) [DJT16E21-11PA-LC](#) [DJT16E21-11HA-](#)
[LC](#) [DJT16E21-11AA](#) [MS27467T21B11JA](#) [DJT16E21-11JA](#) [MS27467T21B11JA-LC](#)