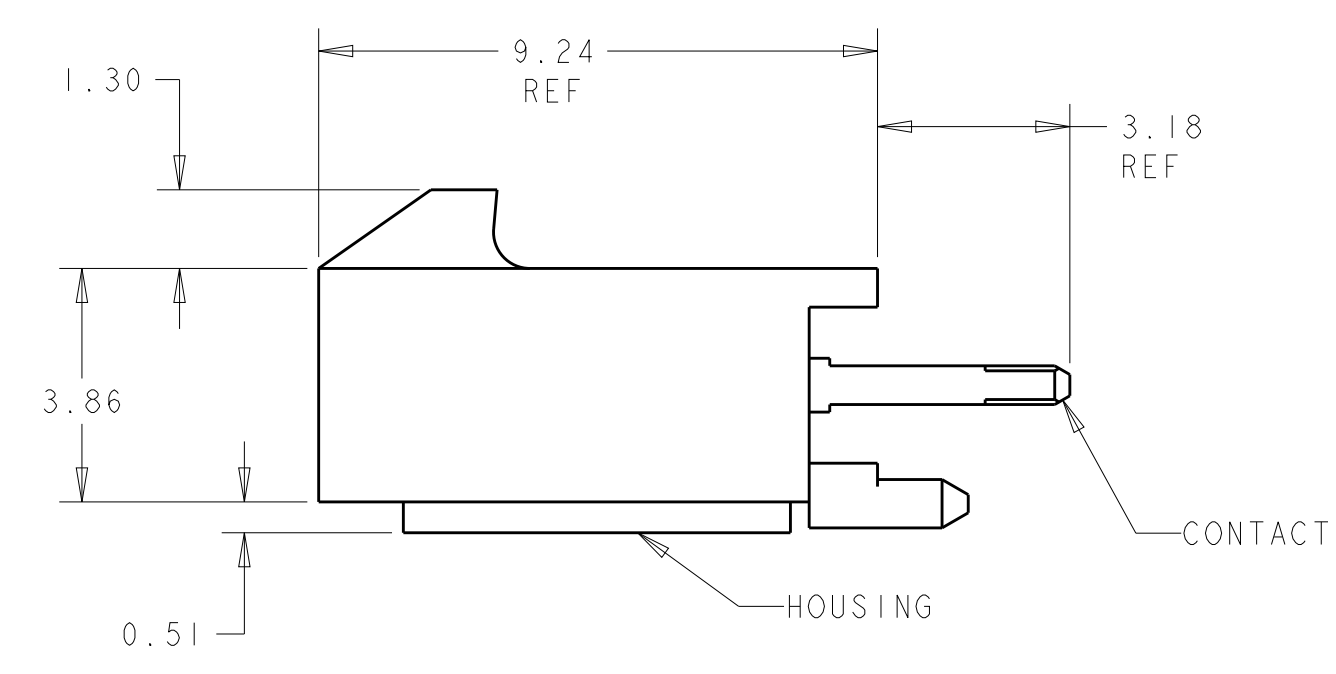
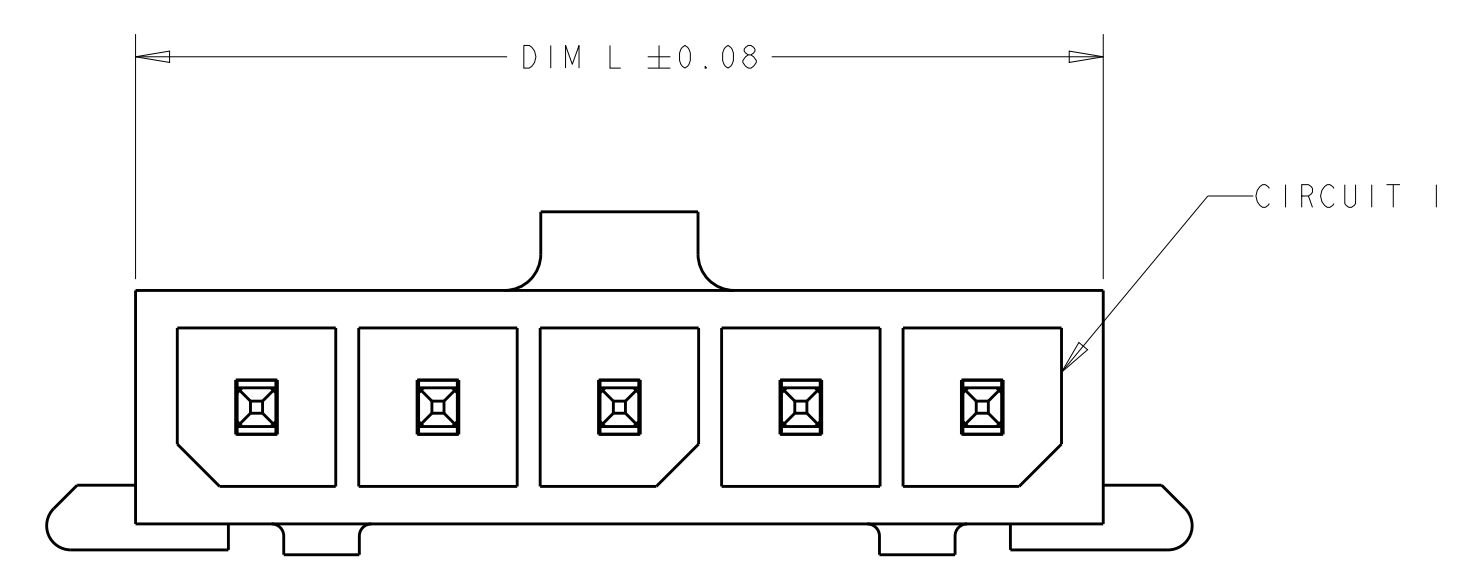
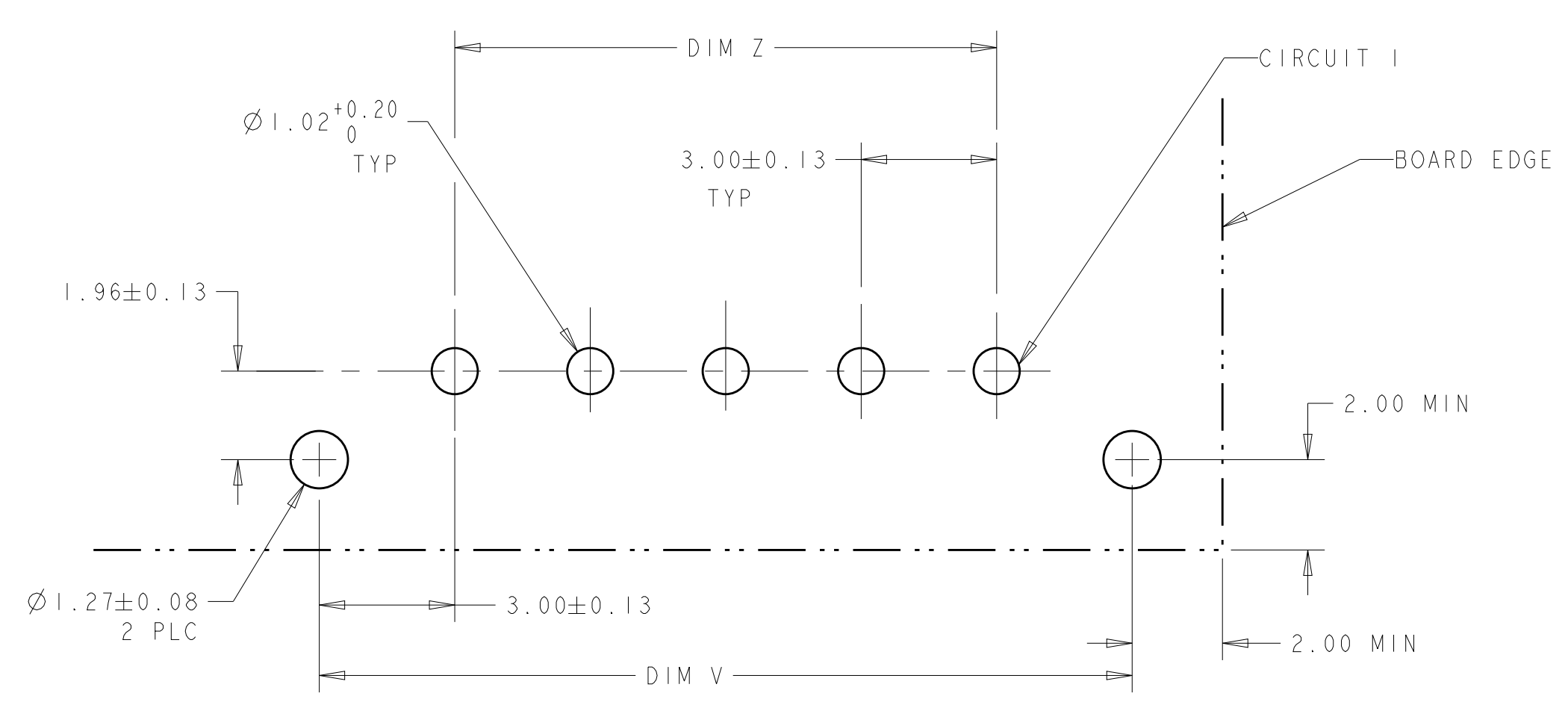
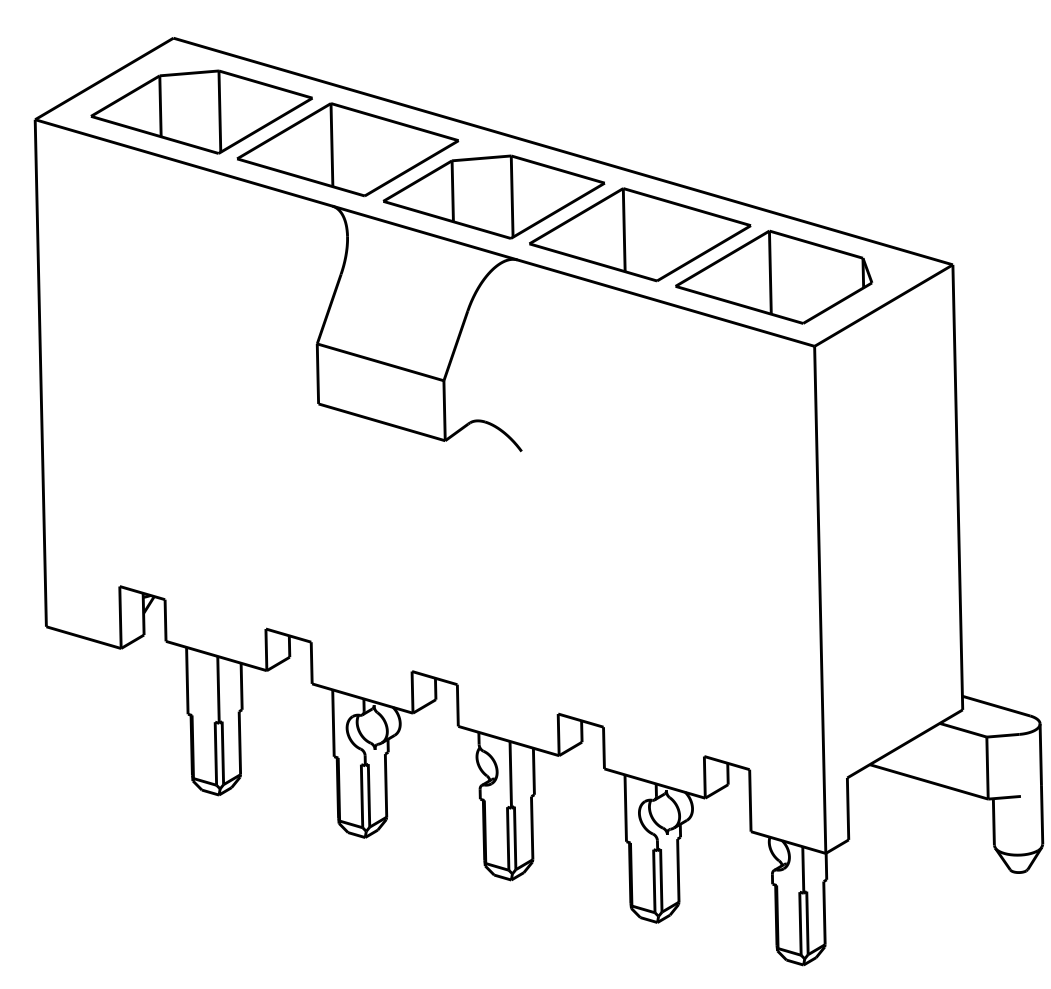
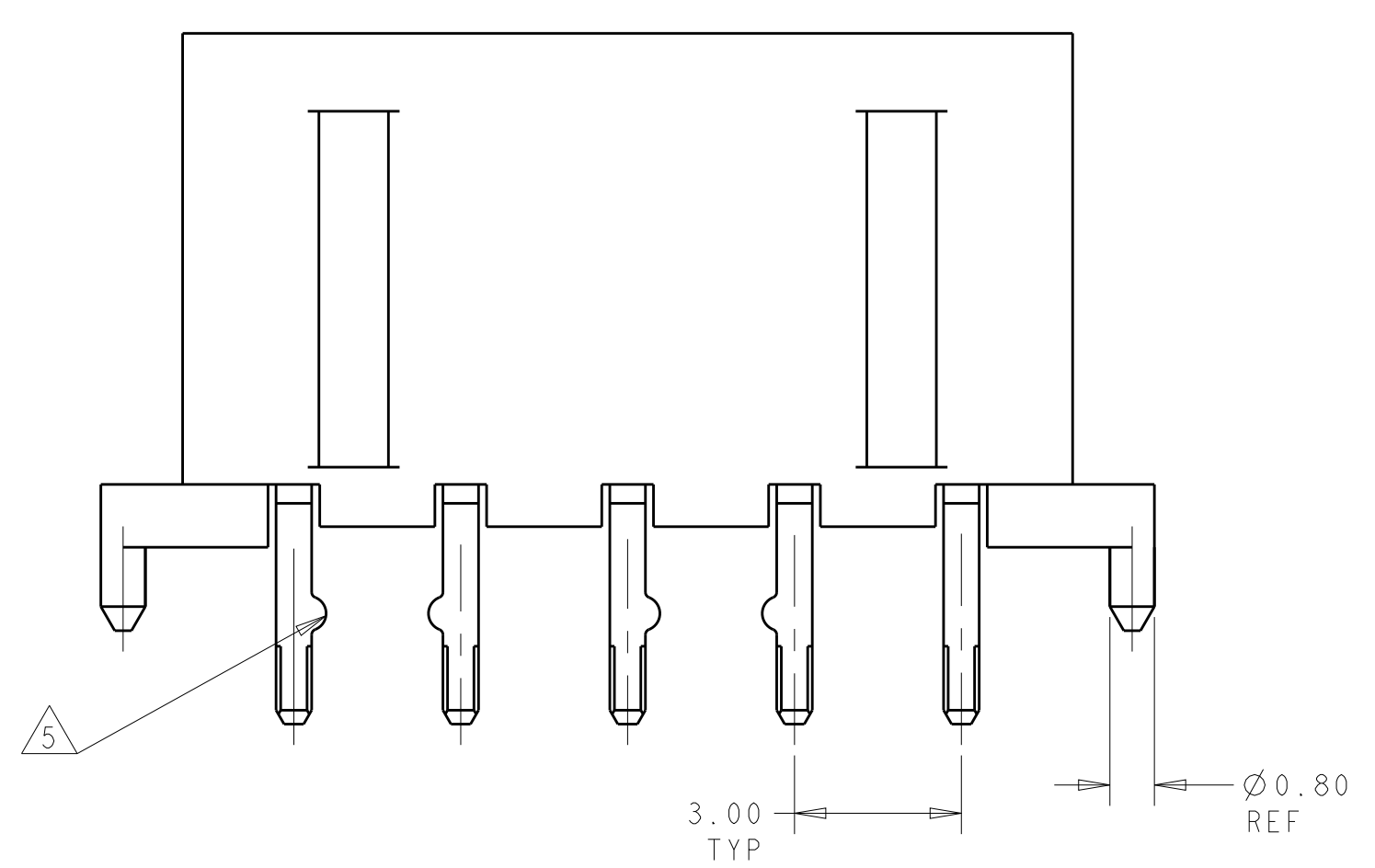


REVISIONS				
P.	LTN	DESCRIPTION	DATE	APP'D
B2		REVISED PER ECR-16-011494	20JUN2017	NK CX
B3		REVISED PER ECR-16-017083	29DEC2017	C.X D.Z
B4		ECO-19-006934	13MAY2019	AP WS



- 1 MATERIAL: CONTACTS - BRASS
HOUSING - UL 94V-0 RATED HIGH TEMP NYLON, COLOR BLACK.
- 2 PLATING: CONTACTS - 0.76µm MINIMUM GOLD ON MATING END,
2.54µm MINIMUM TIN LEAD ON SOLDER TAILS, BOTH OVER
1.27µm MINIMUM NICKEL.
- 4 RECOMMENDED PC BOARD THICKNESS OF 1.57.
- 5 RETENTION BUMP FEATURES FACE EACH OTHER, TYPICAL
ALL CONFIGURATIONS.
- 6 PLATING: CONTACTS - 0.76µm MINIMUM GOLD ON MATING END,
2.54µm MINIMUM MATTE TIN ON SOLDER TAILS, BOTH OVER
1.27µm MINIMUM NICKEL.



PCB LAYOUT COMPONENT SIDE 4

FINISH	CON W/RET BUMP	POS	DIM Z	DIM V	DIM L	NO. OF POSN	PART NUMBER
6		12,11,2,1	33.00	39.14	37.00	12	3-1445093-2
6		11,10,3,2	30.00	36.14	34.00	11	3-1445093-1
6		10,9,2,1	27.00	33.14	31.00	10	3-1445093-0
6		9,8,3,2	24.00	30.14	28.00	9	2-1445093-9
6		8,7,2,1	21.00	27.14	25.00	8	2-1445093-8
6		7,6,3,2	18.00	24.14	22.00	7	2-1445093-7
6		6,5,2,1	15.00	21.14	19.00	6	2-1445093-6
6		5,4,3,2	12.00	18.14	16.00	5	2-1445093-5
6		4,3,2,1	9.00	15.14	13.00	4	2-1445093-4
6		3,2	6.00	12.14	10.00	3	2-1445093-3
6		2,1	3.00	9.14	7.00	2	2-1445093-2

SUPERSEDED BY 3-1445093-2	2	12,11,2,1	33.00	39.14	37.00	12	1445093-2
SUPERSEDED BY 3-1445093-1	2	11,10,3,2	30.00	36.14	34.00	11	1445093-1
SUPERSEDED BY 3-1445093-0	2	10,9,2,1	27.00	33.14	31.00	10	1445093-0
SUPERSEDED BY 2-1445093-9	2	9,8,3,2	24.00	30.14	28.00	9	1445093-9
SUPERSEDED BY 2-1445093-8	2	8,7,2,1	21.00	27.14	25.00	8	1445093-8
SUPERSEDED BY 2-1445093-7	2	7,6,3,2	18.00	24.14	22.00	7	1445093-7
SUPERSEDED BY 2-1445093-6	2	6,5,2,1	15.00	21.14	19.00	6	1445093-6
SUPERSEDED BY 2-1445093-5	2	5,4,3,2	12.00	18.14	16.00	5	1445093-5
SUPERSEDED BY 2-1445093-4	2	4,3,2,1	9.00	15.14	13.00	4	1445093-4
SUPERSEDED BY 2-1445093-3	2	3,2	6.00	12.14	10.00	3	1445093-3
SUPERSEDED BY 2-1445093-2	2	2,1	3.00	9.14	7.00	2	1445093-2

THIS DRAWING IS A CONTROLLED DOCUMENT.		OWN: J. ROOT 10OCT2000	TE Connectivity	
DIMENSIONS: mm		CHK: K. WHITAKER 17-APR-2001		
TOLERANCES UNLESS OTHERWISE SPECIFIED:		APP'D: C. JONES 17-APR-2001	NAME: VERTICAL THRU HOLE HEADER ASSY, 0.76 MIC GOLD CONTACTS, W/PCB PLZN FEATURE, SGL ROW, MICRO MATE-N-LOK(TM)	
0 PLC ±		PRODUCT SPEC	SIZE: CAGE CODE DRAWING NO RESTRICTED TO	
1 PLC ±0.20		108-1836	A100779C=1445093	
2 PLC ±		APPLICATION SPEC	SCALE: 8:1 SHEET 1 OF 1 REV: B4	
3 PLC ±		114-13000		
4 PLC ±		WEIGHT		
ANGLES		CUSTOMER DRAWING		
FINISH				

X-ON Electronics

Largest Supplier of Electrical and Electronic Components

Click to view similar products for [Pin & Socket Connectors](#) category:

Click to view products by [TE Connectivity](#) manufacturer:

Other Similar products are found below :

[6450822-1](#) [770392-1](#) [794042-1](#) [796885-1](#) [8-794535-1](#) [PLR3455ACS-222](#) [R929991004](#) [R929993003](#) [1403611-1](#) [1-480349-5](#) [152302-5](#)
[153211-2](#) [1586092-1](#) [1586129-1](#) [1586681-4](#) [1586700-1](#) [1586368-1](#) [1586380-1](#) [1586616-1](#) [1586680-5](#) [16-06-0038](#) [164164-5](#) [1-6609930-1](#)
[172296-1](#) [19-09-2035](#) [200503-1](#) [200788-2](#) [2029090-4](#) [2029095-4](#) [925061-7](#) [293734-4](#) [293737-2](#) [1-765362-4](#) [1-794606-3](#) [1871534-1](#)
[200833-4](#) [2008625-2](#) [2029027-2](#) [2029096-4](#) [R929991000](#) [R929991002](#) [R929993000](#) [319-10-101-00-005000](#) [319-10-102-00-001000](#)
[319-10-104-00-001000](#) [319-10-105-00-001000](#) [319-10-108-00-001000](#) [319-10-112-00-006000](#) [39-01-8019](#) [319-10-101-00-001000](#)