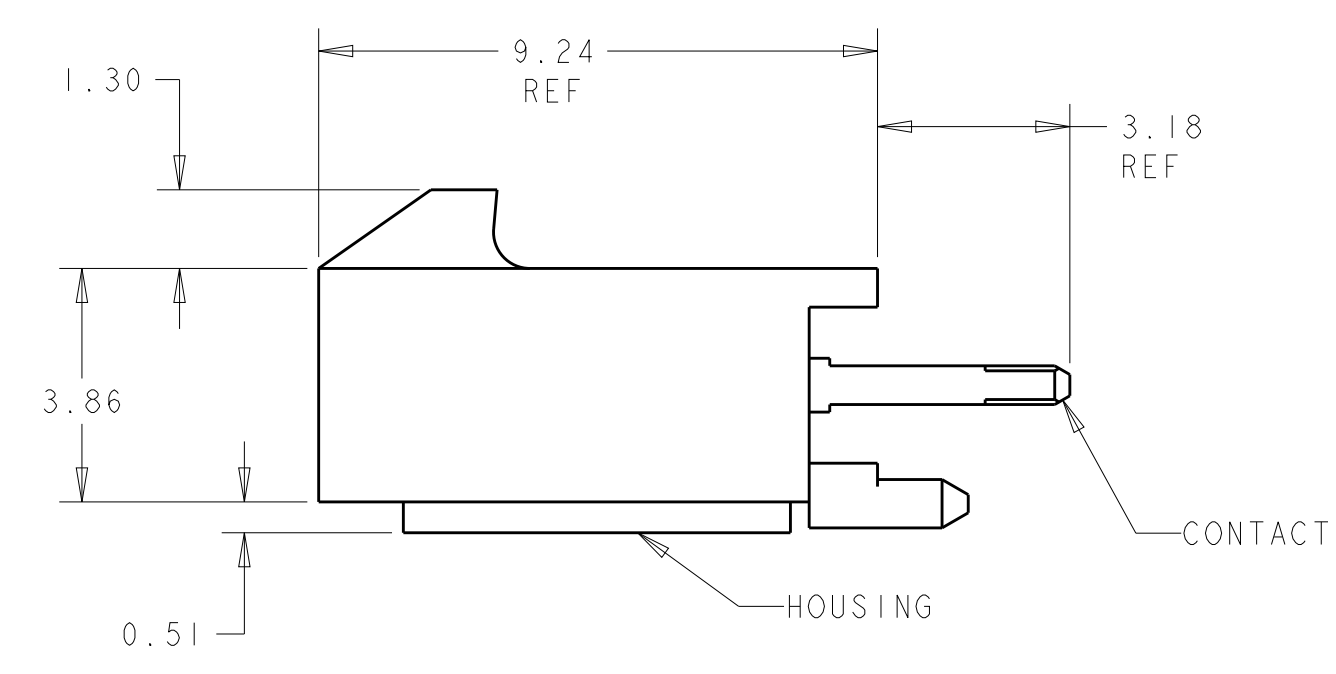
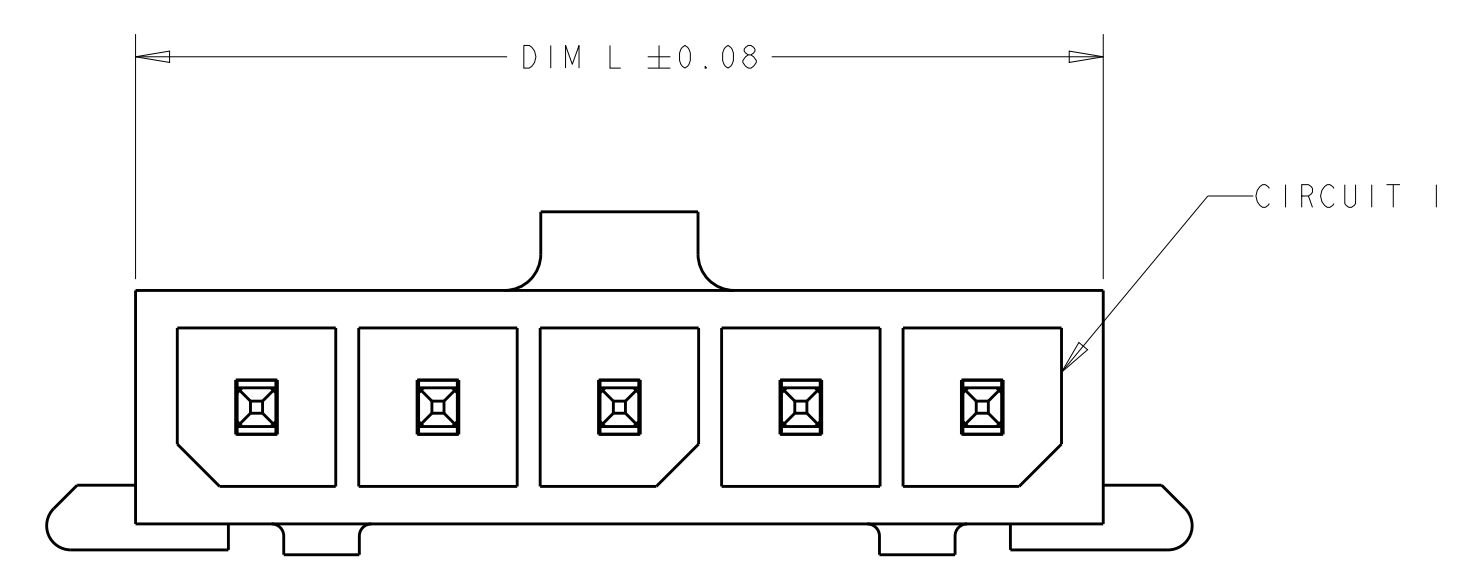
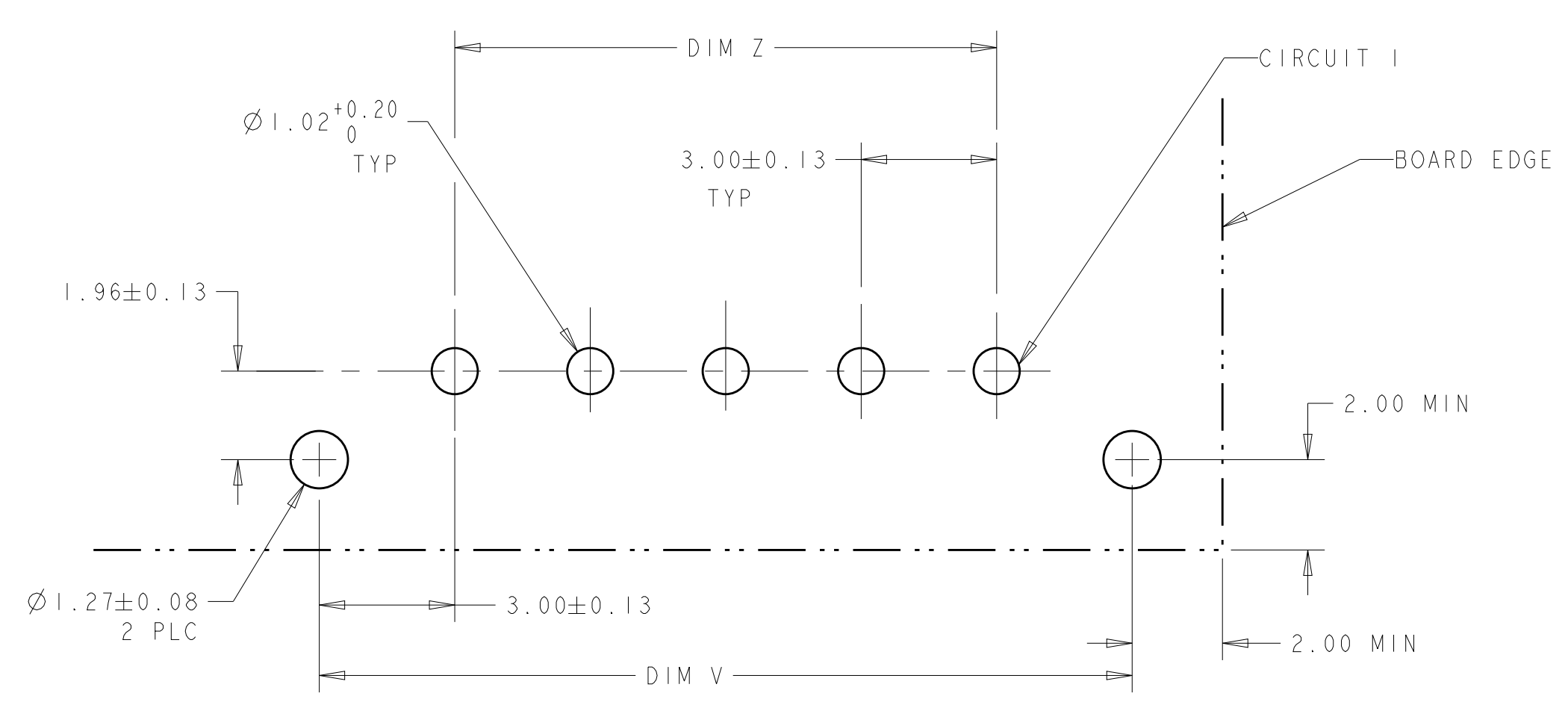
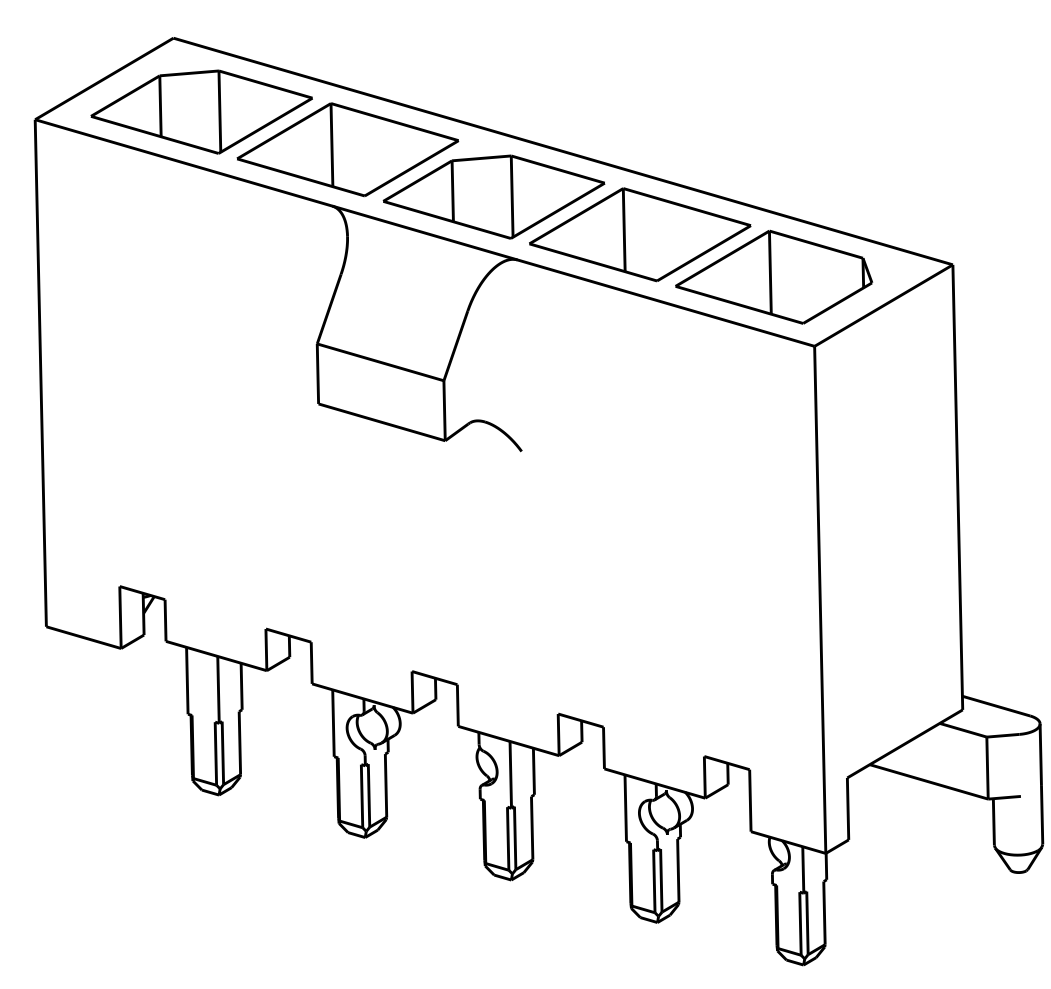
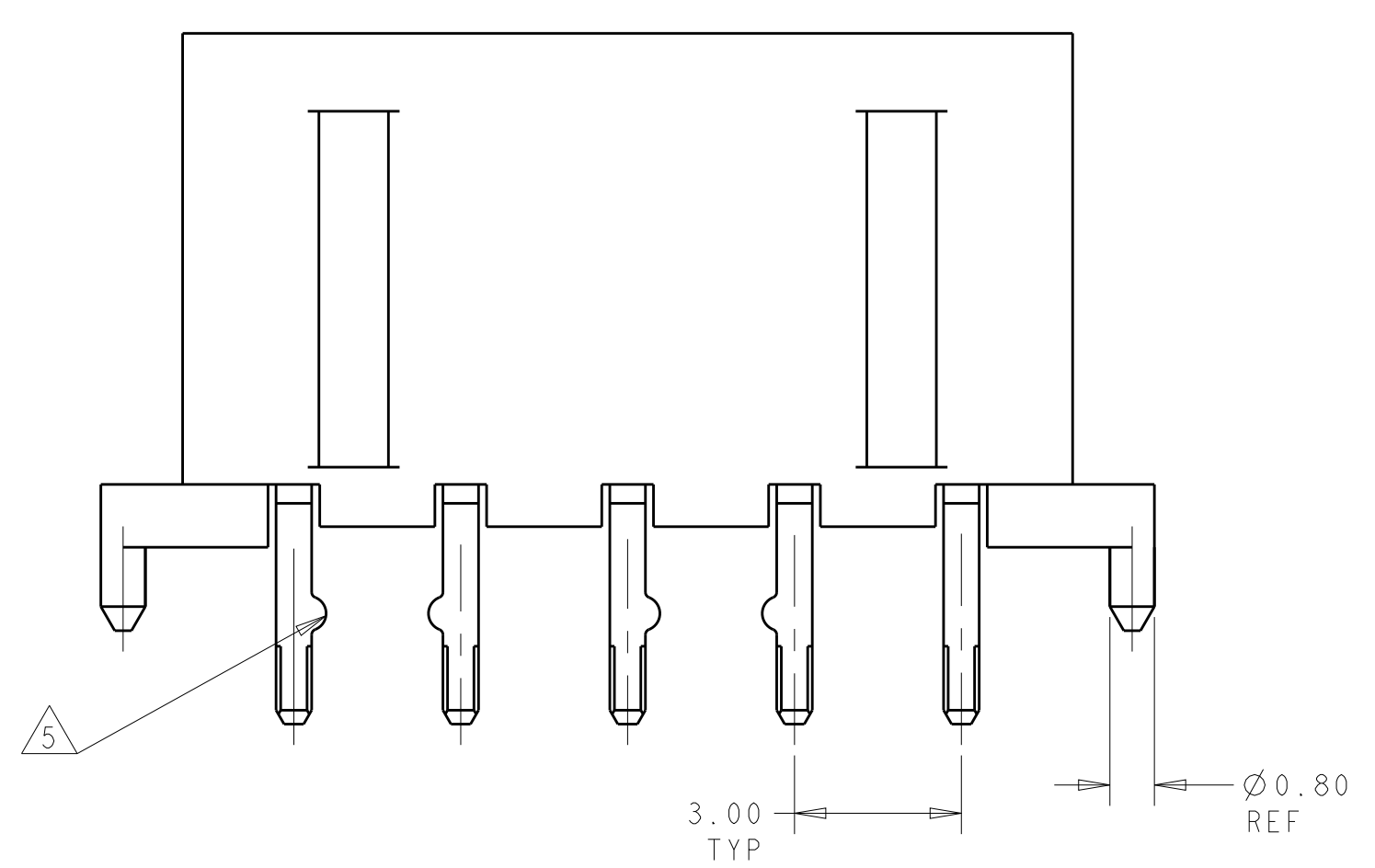


REVISIONS				
P.	LTN	DESCRIPTION	DATE	APP'D
B2		REVISED PER ECR-16-011494	20JUN2017	NK CX
B3		REVISED PER ECR-16-017083	29DEC2017	C.X D.Z
B4		ECO-19-006934	13MAY2019	AP WS



- 1 MATERIAL: CONTACTS - BRASS  
HOUSING - UL 94V-0 RATED HIGH TEMP NYLON, COLOR BLACK.
- 2 PLATING: CONTACTS - 0.76µm MINIMUM GOLD ON MATING END,  
2.54µm MINIMUM TIN LEAD ON SOLDER TAILS, BOTH OVER  
1.27µm MINIMUM NICKEL.
- 4 RECOMMENDED PC BOARD THICKNESS OF 1.57.
- 5 RETENTION BUMP FEATURES FACE EACH OTHER, TYPICAL  
ALL CONFIGURATIONS.
- 6 PLATING: CONTACTS - 0.76µm MINIMUM GOLD ON MATING END,  
2.54µm MINIMUM MATTE TIN ON SOLDER TAILS, BOTH OVER  
1.27µm MINIMUM NICKEL.



PCB LAYOUT COMPONENT SIDE 4

FINISH	CON W/RET BUMP	POS	DIM Z	DIM V	DIM L	NO. OF POSN	PART NUMBER
6		12,11,2,1	33.00	39.14	37.00	12	3-1445093-2
6		11,10,3,2	30.00	36.14	34.00	11	3-1445093-1
6		10,9,2,1	27.00	33.14	31.00	10	3-1445093-0
6		9,8,3,2	24.00	30.14	28.00	9	2-1445093-9
6		8,7,2,1	21.00	27.14	25.00	8	2-1445093-8
6		7,6,3,2	18.00	24.14	22.00	7	2-1445093-7
6		6,5,2,1	15.00	21.14	19.00	6	2-1445093-6
6		5,4,3,2	12.00	18.14	16.00	5	2-1445093-5
6		4,3,2,1	9.00	15.14	13.00	4	2-1445093-4
6		3,2	6.00	12.14	10.00	3	2-1445093-3
6		2,1	3.00	9.14	7.00	2	2-1445093-2
2		12,11,2,1	33.00	39.14	37.00	12	1-1445093-2
2		11,10,3,2	30.00	36.14	34.00	11	1-1445093-1
2		10,9,2,1	27.00	33.14	31.00	10	1-1445093-0
2		9,8,3,2	24.00	30.14	28.00	9	1-1445093-9
2		8,7,2,1	21.00	27.14	25.00	8	1-1445093-8
2		7,6,3,2	18.00	24.14	22.00	7	1-1445093-7
2		6,5,2,1	15.00	21.14	19.00	6	1-1445093-6
2		5,4,3,2	12.00	18.14	16.00	5	1-1445093-5
2		4,3,2,1	9.00	15.14	13.00	4	1-1445093-4
2		3,2	6.00	12.14	10.00	3	1-1445093-3
2		2,1	3.00	9.14	7.00	2	1-1445093-2

SUPERSEDED BY 3-1445093-2  
 SUPERSEDED BY 3-1445093-1  
 SUPERSEDED BY 3-1445093-0  
 SUPERSEDED BY 2-1445093-9  
 SUPERSEDED BY 2-1445093-8  
 SUPERSEDED BY 2-1445093-7  
 SUPERSEDED BY 2-1445093-6  
 SUPERSEDED BY 2-1445093-5  
 SUPERSEDED BY 2-1445093-4  
 SUPERSEDED BY 2-1445093-3  
 SUPERSEDED BY 2-1445093-2

THIS DRAWING IS A CONTROLLED DOCUMENT. DWG: 100CT2000  
 CHK: J. ROOT 17-APR-2001  
 APP'D: K. WHITAKER 17-APR-2001  
 C. JONES 17-APR-2001

**STE** TE Connectivity

NAME: VERTICAL THRU HOLE HEADER ASSY.  
 0.76 MIC GOLD CONTACTS, W/PCB PLZN  
 FEATURE, SGL ROW, MICRO MATE-N-LOK(TM)

PRODUCT SPEC: 108-1836  
 APPLICATION SPEC: 114-13000  
 SIZE: 114-13000  
 WEIGHT: -  
 CUSTOMER DRAWING

SCALE: 8:1 SHEET 1 OF 1 REV: B4

## X-ON Electronics

Largest Supplier of Electrical and Electronic Components

*Click to view similar products for [Pin & Socket Connectors](#) category:*

*Click to view products by [TE Connectivity](#) manufacturer:*

Other Similar products are found below :

[6450822-1](#) [770392-1](#) [794042-1](#) [796885-1](#) [8-794535-1](#) [PLR3455ACS-222](#) [R929991004](#) [R929993003](#) [1403611-1](#) [1-480349-5](#) [152302-5](#)  
[153211-2](#) [1586092-1](#) [1586129-1](#) [1586681-4](#) [1586700-1](#) [1586368-1](#) [1586380-1](#) [1586616-1](#) [1586680-5](#) [16-06-0038](#) [164164-5](#) [1-6609930-1](#)  
[172296-1](#) [19-09-2035](#) [200503-1](#) [200788-2](#) [2029090-4](#) [2029095-4](#) [925061-7](#) [293734-4](#) [293737-2](#) [1-765362-4](#) [1871534-1](#) [200833-4](#)  
[2008625-2](#) [2029027-2](#) [2029096-4](#) [R929991000](#) [R929991002](#) [R929993000](#) [319-10-101-00-005000](#) [319-10-102-00-001000](#) [319-10-104-00-001000](#) [319-10-105-00-001000](#) [319-10-108-00-001000](#) [319-10-112-00-006000](#) [39-01-8019](#) [319-10-101-00-001000](#) [319-10-102-00-005000](#)