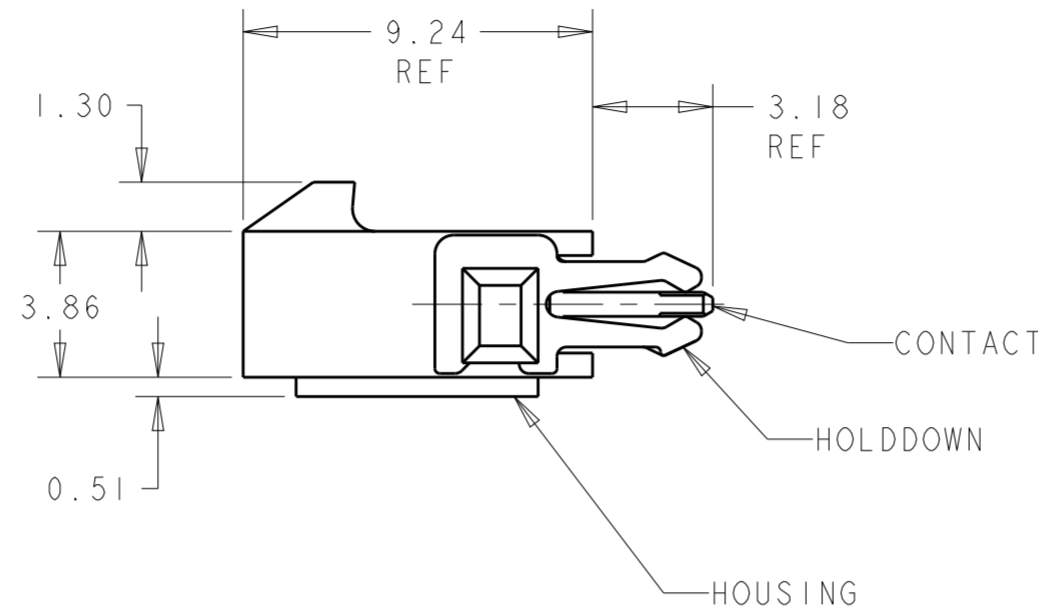
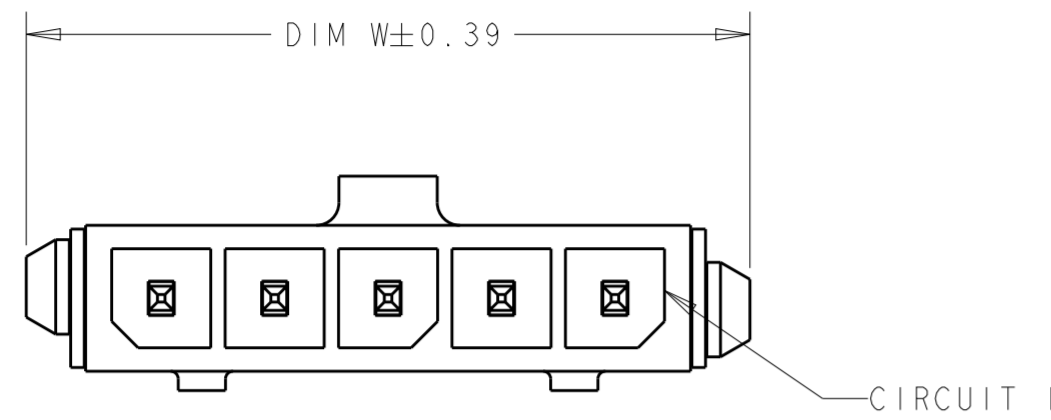
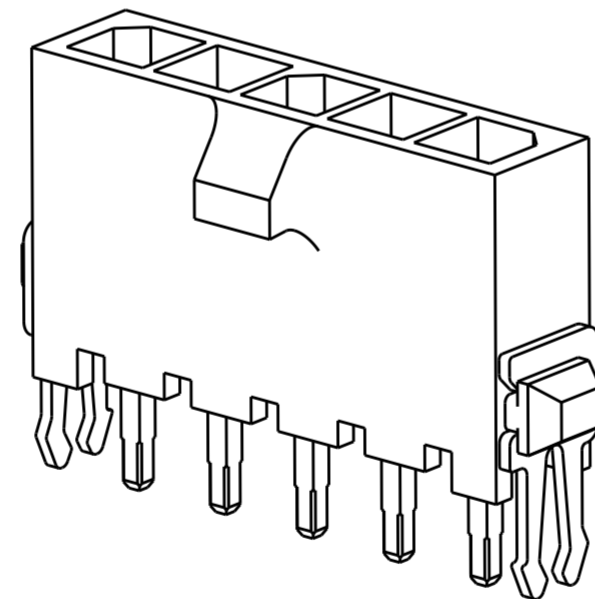
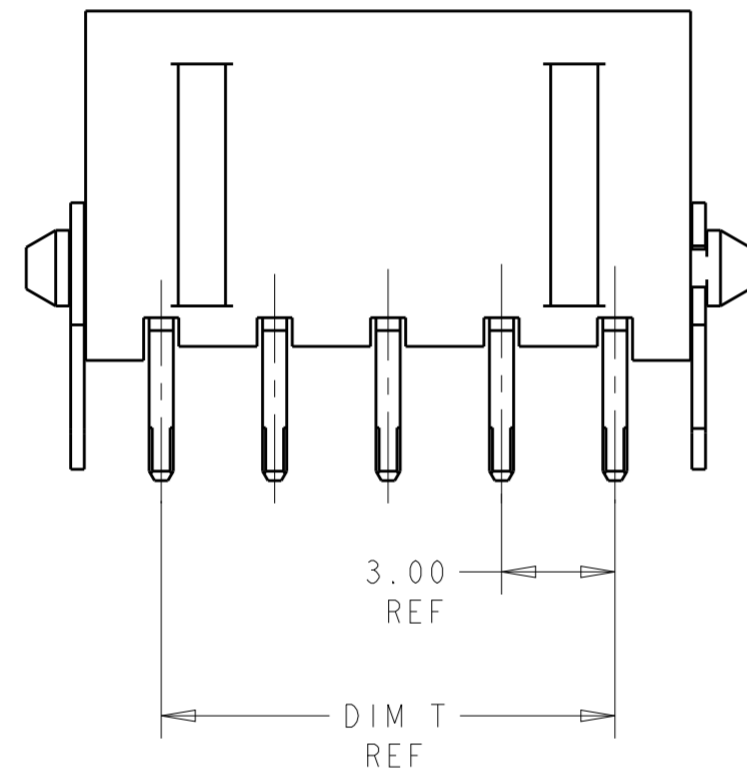


THIS DRAWING IS UNPUBLISHED. RELEASED FOR PUBLICATION 20  
 © COPYRIGHT 20 BY - ALL RIGHTS RESERVED.

| REVISIONS |     |                           |           |     |      |
|-----------|-----|---------------------------|-----------|-----|------|
| P         | LTR | DESCRIPTION               | DATE      | DWN | APVD |
| A3        |     | REVISED PER ECR-16-011494 | 30MAY2017 | NK  | CX   |
| A4        |     | ECO-19-006934             | 10MAY2019 | AP  | WS   |

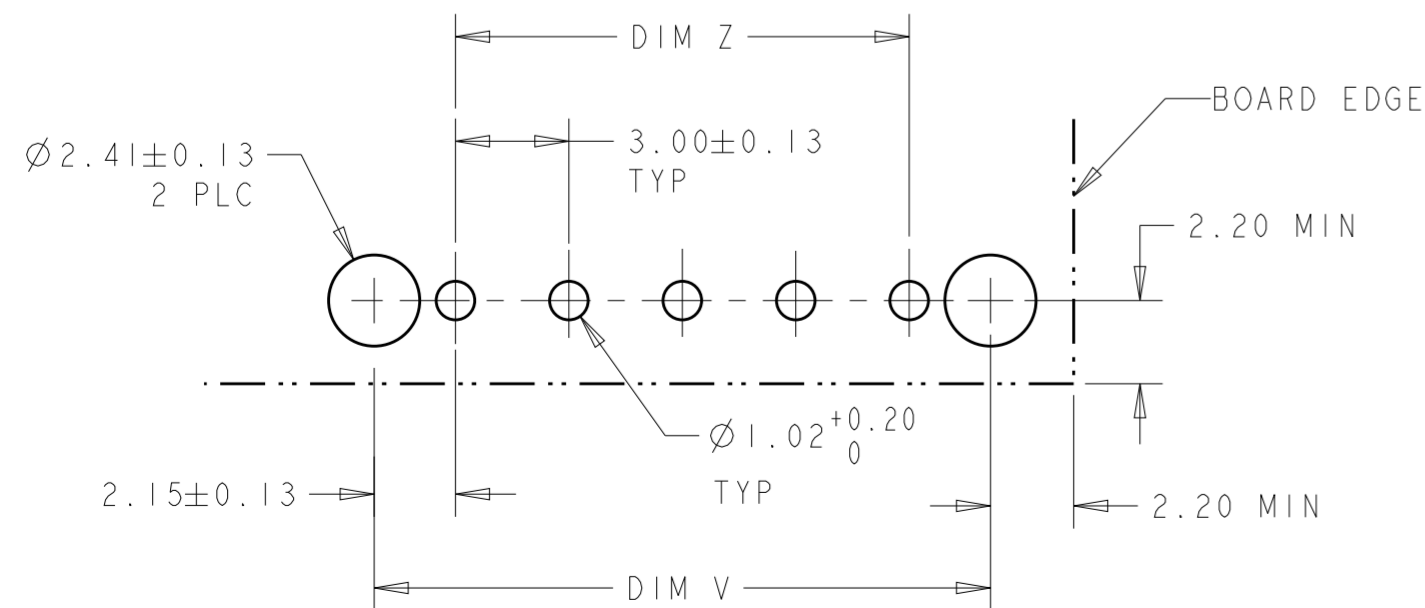


- 1 MATERIAL: CONTACTS - BRASS  
HOUSING - UL 94V-0 RATED HIGH TEMP NYLON, COLOR BLACK.  
HOLDDOWNS: - PHOSPHOR BRONZE.
- 2 PLATING: CONTACTS - 0.76µm MINIMUM GOLD ON MATING END,  
2.54µm MINIMUM TIN LEAD ON SOLDER TAILS, BOTH OVER  
1.27µm MINIMUM NICKEL.  
HOLDDOWNS: 2.54µm MINIMUM MATTE TIN OVER 1.27µm MINIMUM NICKEL.
- 4 RECOMMENDED PC BOARD THICKNESS OF 1.57.
- 5 PLATING: CONTACTS - 0.76µm MINIMUM GOLD ON MATING END,  
2.54µm MINIMUM MATTE TIN ON SOLDER TAILS, BOTH OVER  
1.27µm MINIMUM NICKEL.  
HOLDDOWNS: 2.54µm MINIMUM MATTE TIN OVER 1.27µm MINIMUM NICKEL.



| 5      | 33.00 | 37.43 | 33.00 | 40.14 | 12          | 3-1445094-2 |
|--------|-------|-------|-------|-------|-------------|-------------|
| 5      | 30.00 | 34.43 | 30.00 | 37.14 | 11          | 3-1445094-1 |
| 5      | 27.00 | 31.43 | 27.00 | 34.14 | 10          | 3-1445094-0 |
| 5      | 24.00 | 28.43 | 24.00 | 31.14 | 9           | 2-1445094-9 |
| 5      | 21.00 | 25.43 | 21.00 | 28.14 | 8           | 2-1445094-8 |
| 5      | 18.00 | 22.43 | 18.00 | 25.14 | 7           | 2-1445094-7 |
| 5      | 15.00 | 19.43 | 15.00 | 22.14 | 6           | 2-1445094-6 |
| 5      | 12.00 | 16.43 | 12.00 | 19.14 | 5           | 2-1445094-5 |
| 5      | 9.00  | 13.43 | 9.00  | 16.14 | 4           | 2-1445094-4 |
| 5      | 6.00  | 10.43 | 6.00  | 13.14 | 3           | 2-1445094-3 |
| 5      | 3.00  | 7.43  | 3.00  | 10.14 | 2           | 2-1445094-2 |
| 2      | 33.00 | 37.43 | 33.00 | 40.14 | 12          | 1-1445094-2 |
| 2      | 30.00 | 34.43 | 30.00 | 37.14 | 11          | 1-1445094-1 |
| 2      | 27.00 | 31.43 | 27.00 | 34.14 | 10          | 1-1445094-0 |
| 2      | 24.00 | 28.43 | 24.00 | 31.14 | 9           | 1-1445094-9 |
| 2      | 21.00 | 25.43 | 21.00 | 28.14 | 8           | 1-1445094-8 |
| 2      | 18.00 | 22.43 | 18.00 | 25.14 | 7           | 1-1445094-7 |
| 2      | 15.00 | 19.43 | 15.00 | 22.14 | 6           | 1-1445094-6 |
| 2      | 12.00 | 16.43 | 12.00 | 19.14 | 5           | 1-1445094-5 |
| 2      | 9.00  | 13.43 | 9.00  | 16.14 | 4           | 1-1445094-4 |
| 2      | 6.00  | 10.43 | 6.00  | 13.14 | 3           | 1-1445094-3 |
| 2      | 3.00  | 7.43  | 3.00  | 10.14 | 2           | 1-1445094-2 |
| FINISH | DIM Z | DIM V | DIM T | DIM W | NO. OF POSN | PART NUMBER |

SUPERCEDED BY 3-1445094-2  
 SUPERCEDED BY 3-1445094-1  
 SUPERCEDED BY 3-1445094-0  
 SUPERCEDED BY 2-1445094-9  
 SUPERCEDED BY 2-1445094-8  
 SUPERCEDED BY 2-1445094-7  
 SUPERCEDED BY 2-1445094-6  
 SUPERCEDED BY 2-1445094-5  
 SUPERCEDED BY 2-1445094-4  
 SUPERCEDED BY 2-1445094-3  
 SUPERCEDED BY 2-1445094-2



PCB LAYOUT COMPONENT SIDE



|  |  |                               |  |  |
|--|--|-------------------------------|--|--|
| THIS DRAWING IS A CONTROLLED DOCUMENT. |  | DWN J. ROOT 10OCT2000         | <b>STE</b> TE Connectivity   |  |
| DIMENSIONS: mm                         |  | CHK K. WHITAKER 17-APR-2001   |  |  |
| TOLERANCES UNLESS OTHERWISE SPECIFIED: |  | APVD C. JONES 17-APR-2001     | NAME VERTICAL THRU HOLE HEADER ASSY, 0.76 MIC GOLD CONTACTS, W/THRU HOLE HOLDDOWNS, SGL ROW. MICRO MATE-N-LOK™ |  |
| 0 PLC ±                                |  | PRODUCT SPEC 108-1836         | SIZE A2  |  |
| 1 PLC ±                                |  | APPLICATION SPEC 114-13000    | CAGE CODE C-1445094  |  |
| 2 PLC ±0.20                            |  | WEIGHT -                      | DRAWING NO. 1445094  |  |
| 3 PLC ±                                |  | CUSTOMER DRAWING              |  |  |
| 4 PLC ±                                |  | SCALE 5:1 SHEET 1 OF 1 REV A4 |  |  |
| ANGLES ±                               |  |                               |  |  |
| FINISH SEE TABLE                       |  |                               |  |  |

## X-ON Electronics

Largest Supplier of Electrical and Electronic Components

*Click to view similar products for [Pin & Socket Connectors](#) category:*

*Click to view products by [TE Connectivity](#) manufacturer:*

Other Similar products are found below :

[6450822-1](#) [770392-1](#) [794042-1](#) [796885-1](#) [8-794535-1](#) [PLR3455ACS-222](#) [R929991004](#) [R929993003](#) [1403611-1](#) [1-480349-5](#) [152302-5](#)  
[153211-2](#) [1586092-1](#) [1586129-1](#) [1586681-4](#) [1586700-1](#) [1586368-1](#) [1586380-1](#) [1586616-1](#) [1586680-5](#) [16-06-0038](#) [164164-5](#) [1-6609930-1](#)  
[172296-1](#) [19-09-2035](#) [200503-1](#) [200788-2](#) [2029090-4](#) [2029095-4](#) [925061-7](#) [293734-4](#) [293737-2](#) [1-765362-4](#) [1871534-1](#) [200833-4](#)  
[2008625-2](#) [2029027-2](#) [2029096-4](#) [R929991000](#) [R929991002](#) [R929993000](#) [319-10-101-00-005000](#) [319-10-102-00-001000](#) [319-10-104-00-001000](#) [319-10-105-00-001000](#) [319-10-108-00-001000](#) [319-10-112-00-006000](#) [39-01-8019](#) [319-10-101-00-001000](#) [319-10-102-00-005000](#)