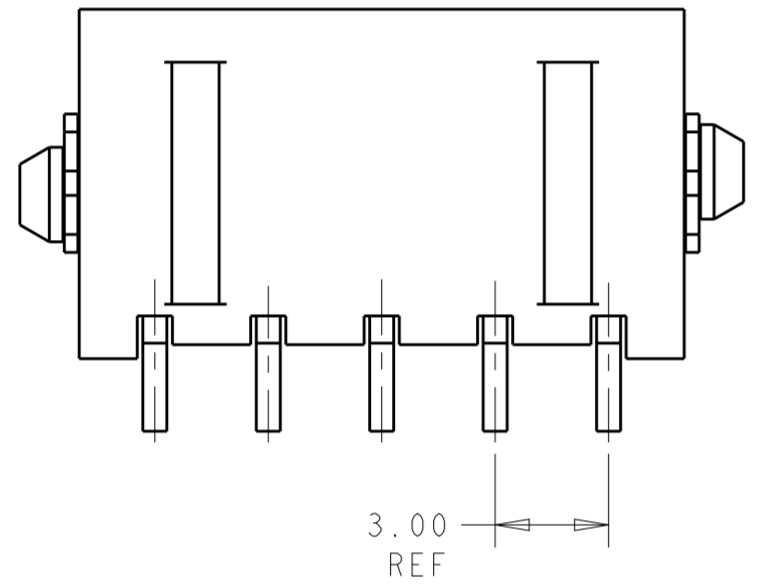
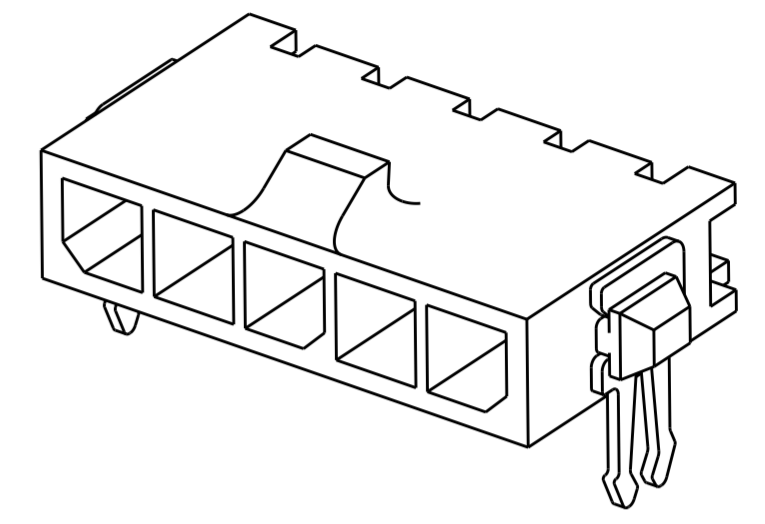
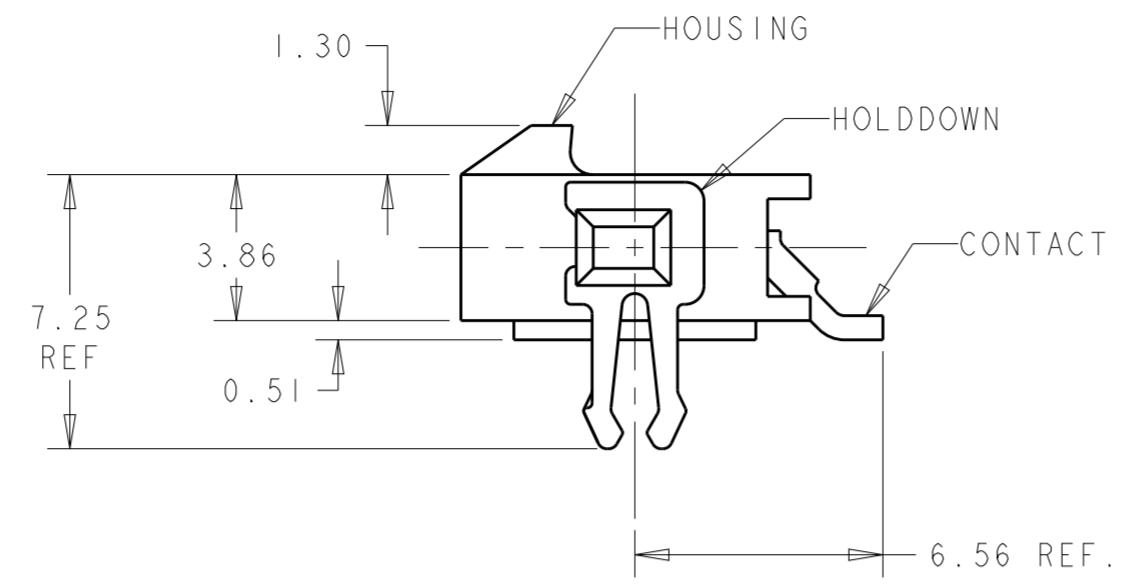
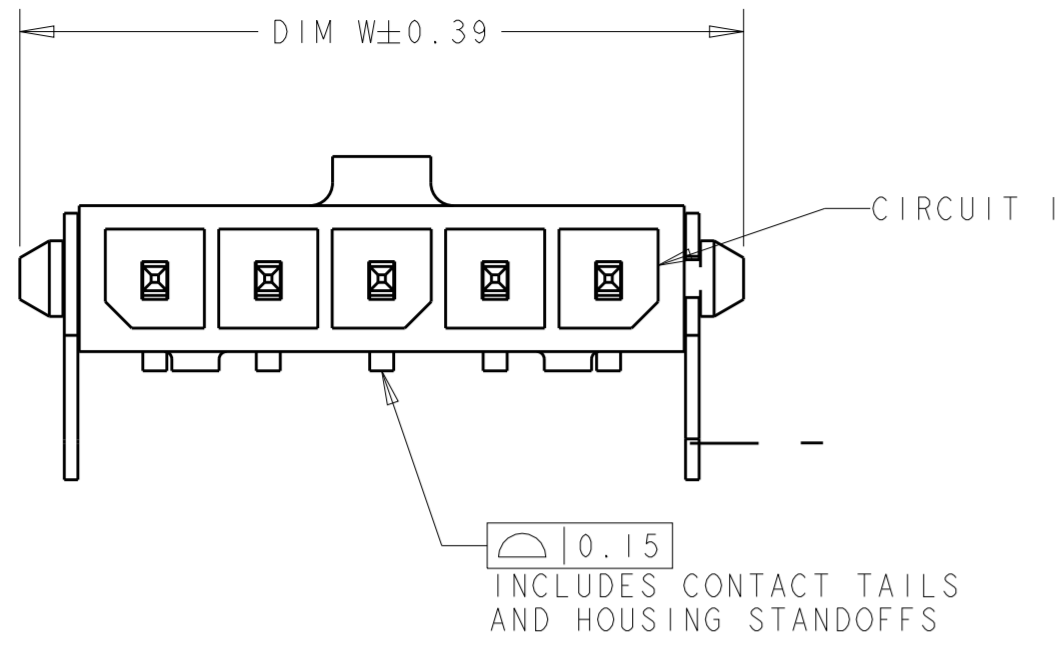


THIS DRAWING IS UNPUBLISHED. RELEASED FOR PUBLICATION 2011
 © COPYRIGHT 2011 ALL RIGHTS RESERVED.

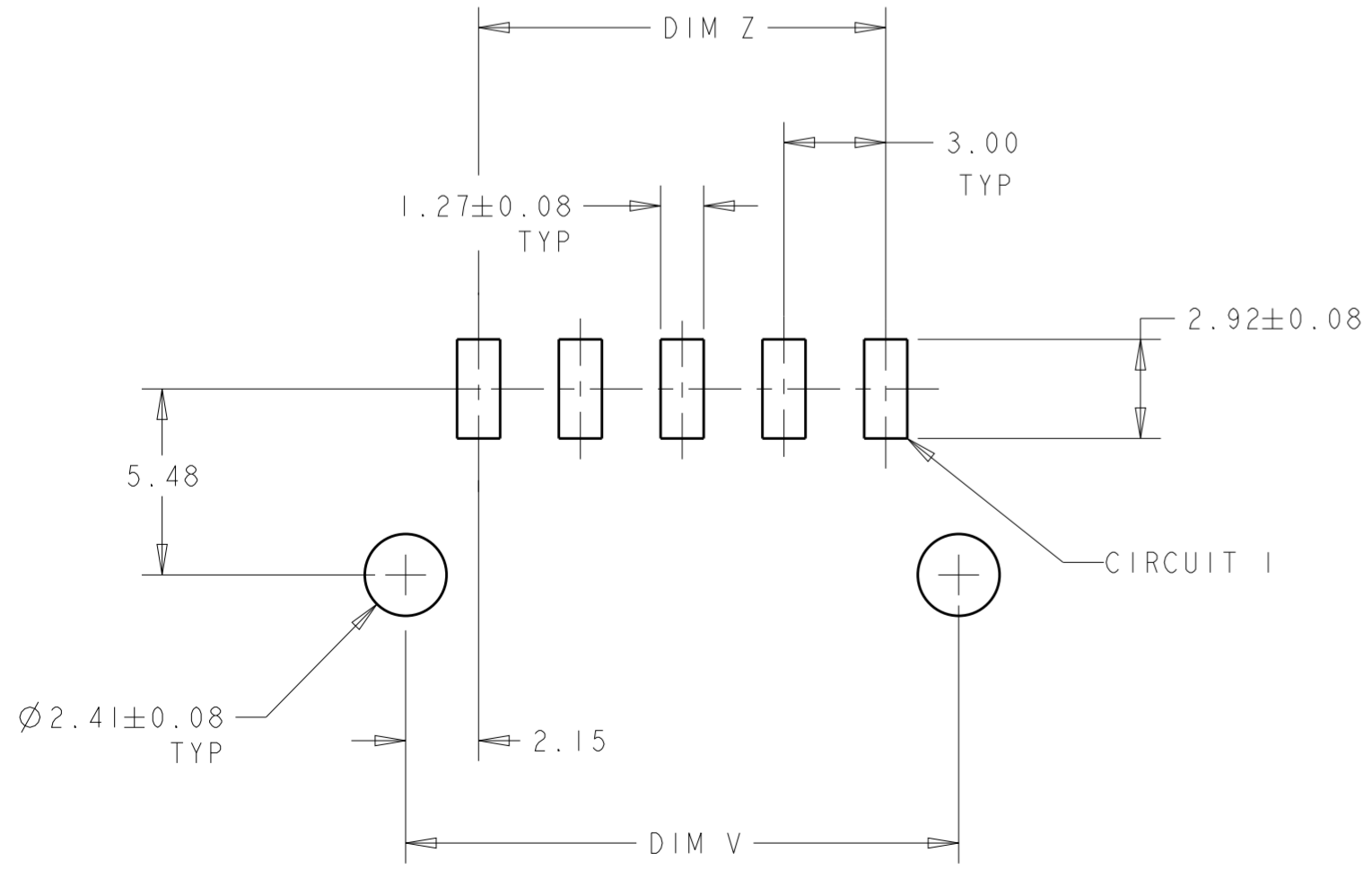
LOC	DIST	REVISIONS					
CM	00	P	LTR	DESCRIPTION	DATE	DWN	APVD
		B2		REVISED PER ECR-16-011506	23JUN2017	NK	CX
		B3		ECO-19-006934	13MAY2019	AP	WLS
		B4		REVISED PER ECO-20-010933	05AUG2020	WLS	VS



- 1 MATERIAL: CONTACTS - BRASS
HOUSING - UL 94V-0 RATED HIGH TEMP NYLON, COLOR BLACK.
HOLDDOWNS: - PHOSPHOR BRONZE.
- 2 PLATING: CONTACTS - 0.76µm MINIMUM GOLD ON MATING END,
2.54µm MINIMUM TIN LEAD ON SOLDER TAILS, BOTH OVER
1.27µm MINIMUM NICKEL.
HOLDDOWNS: 2.54µm MINIMUM MATTE TIN OVER 1.27µm MINIMUM NICKEL.
- 4 RECOMMENDED PC BOARD THICKNESS OF 1.57.
- 5 PLATING: CONTACTS - 0.76µm MINIMUM GOLD ON MATING END,
2.54µm MINIMUM MATTE TIN ON SOLDER TAILS, BOTH OVER
1.27µm MINIMUM NICKEL.
HOLDDOWNS: 2.54µm MINIMUM MATTE TIN OVER 1.27µm MINIMUM NICKEL.

5	33.00	37.43	40.00	12	3-1445099-2
5	30.00	34.43	37.00	11	3-1445099-1
5	27.00	31.43	34.00	10	3-1445099-0
5	24.00	28.43	31.00	9	2-1445099-9
5	21.00	25.43	28.00	8	2-1445099-8
5	18.00	22.43	25.00	7	2-1445099-7
5	15.00	19.43	22.00	6	2-1445099-6
5	12.00	16.43	19.00	5	2-1445099-5
5	9.00	13.43	16.00	4	2-1445099-4
5	6.00	10.43	13.00	3	2-1445099-3
5	3.00	7.43	10.00	2	2-1445099-2
2	33.00	37.43	40.00	12	1445099-2
2	30.00	34.43	37.00	11	1445099-1
2	27.00	31.43	34.00	10	1445099-0
2	24.00	28.43	31.00	9	1445099-9
2	21.00	25.43	28.00	8	1445099-8
2	18.00	22.43	25.00	7	1445099-7
2	15.00	19.43	22.00	6	1445099-6
2	12.00	16.43	19.00	5	1445099-5
2	9.00	13.43	16.00	4	1445099-4
2	6.00	10.43	13.00	3	1445099-3
2	3.00	7.43	10.00	2	1445099-2

SUPERSEDED BY 3-1445099-2
 SUPERSEDED BY 3-1445099-1
 SUPERSEDED BY 3-1445099-0
 SUPERSEDED BY 2-1445099-9
 SUPERSEDED BY 2-1445099-8
 SUPERSEDED BY 2-1445099-7
 SUPERSEDED BY 2-1445099-6
 SUPERSEDED BY 2-1445099-5
 SUPERSEDED BY 2-1445099-4
 SUPERSEDED BY 2-1445099-3
 SUPERSEDED BY 2-1445099-2



PCB LAYOUT COMPONENT SIDE 4

THIS DRAWING IS A CONTROLLED DOCUMENT.

DWN J.ROOT 09OCT2000
 CHK K.WHITAKER 17-APR-2001
 APVD C.JONES 17-APR-2001

STC TE Connectivity

RIGHT ANGLE SURFACE MNT HEADER ASSY,
 0.76 MIC GOLD CONTACTS, W/THRU HOLE
 HOLDDOWNS, SGL ROW, MICRO MATE-N-LOK

PRODUCT SPEC 108-1836
 APPLICATION SPEC 114-13000

SIZE A2 CAGE CODE 00779 DRAWING NO C-1445099
 WEIGHT -

MATERIAL SEE TABLE

CUSTOMER DRAWING SCALE 5:1 SHEET 1 OF 1 REV B4

X-ON Electronics

Largest Supplier of Electrical and Electronic Components

Click to view similar products for [Pin & Socket Connectors](#) category:

Click to view products by [TE Connectivity](#) manufacturer:

Other Similar products are found below :

[6450822-1](#) [770392-1](#) [794042-1](#) [796885-1](#) [8-794535-1](#) [PLR3455ACS-222](#) [R929991004](#) [R929993003](#) [1403611-1](#) [1-480349-5](#) [152302-5](#)
[153211-2](#) [1586092-1](#) [1586129-1](#) [1586681-4](#) [1586700-1](#) [1586368-1](#) [1586380-1](#) [1586616-1](#) [1586680-5](#) [16-06-0038](#) [164164-5](#) [1-6609930-1](#)
[172296-1](#) [19-09-2035](#) [200503-1](#) [200788-2](#) [2029090-4](#) [2029095-4](#) [925061-7](#) [293734-4](#) [293737-2](#) [1-765362-4](#) [1871534-1](#) [200833-4](#)
[2008625-2](#) [2029027-2](#) [2029096-4](#) [R929991000](#) [R929991002](#) [R929993000](#) [319-10-101-00-005000](#) [319-10-102-00-001000](#) [319-10-104-00-001000](#) [319-10-105-00-001000](#) [319-10-108-00-001000](#) [319-10-112-00-006000](#) [39-01-8019](#) [319-10-101-00-001000](#) [319-10-102-00-005000](#)