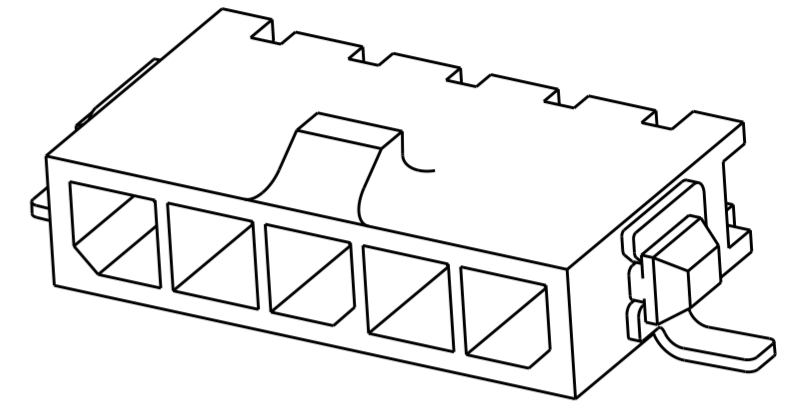
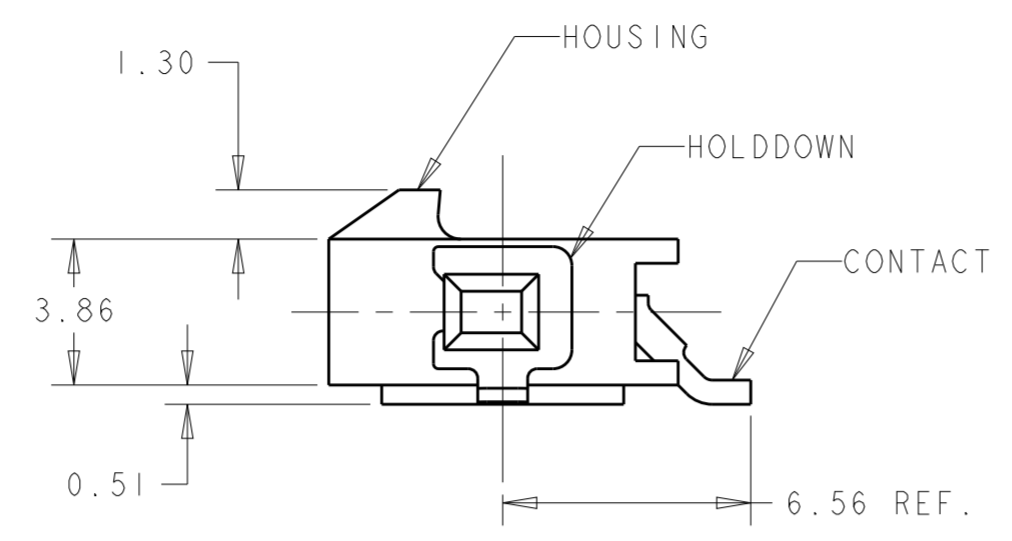
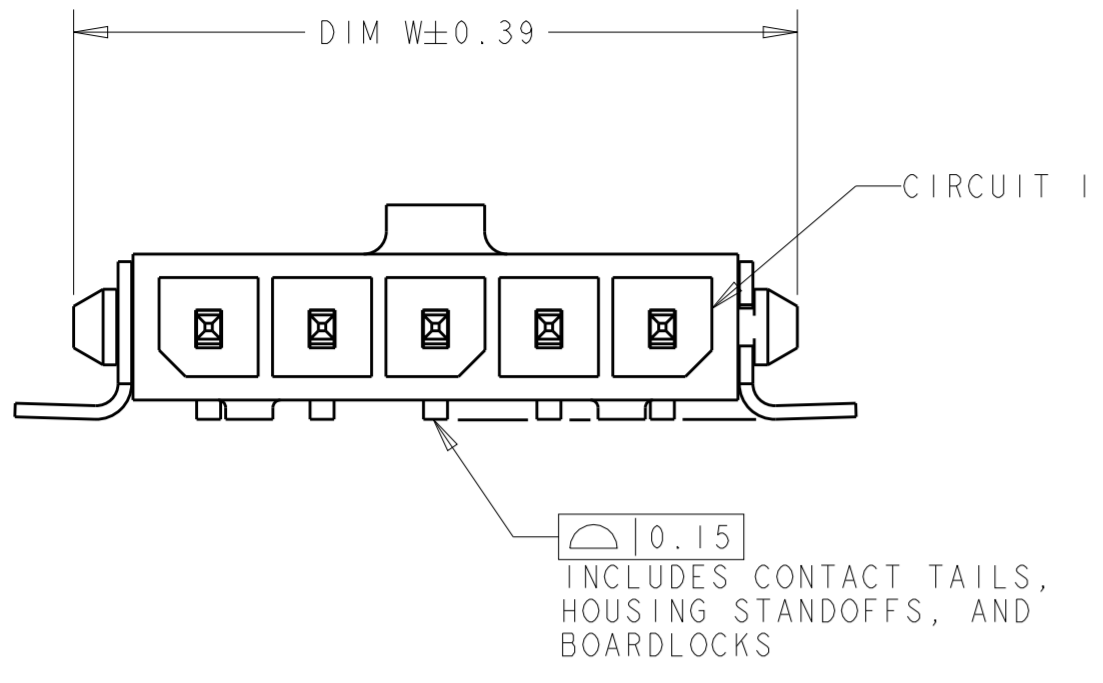
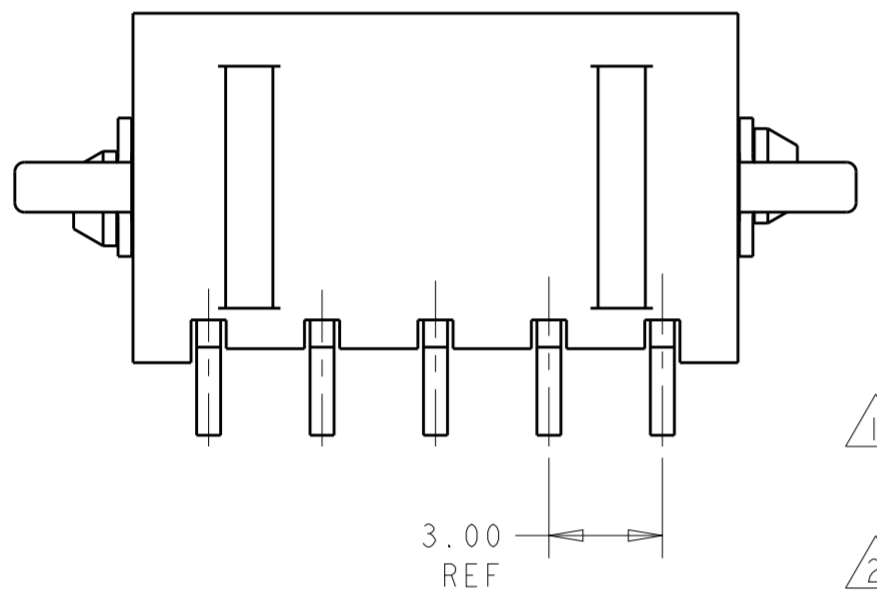


THIS DRAWING IS UNPUBLISHED. RELEASED FOR PUBLICATION 2009
 © COPYRIGHT 2009 BY - ALL RIGHTS RESERVED.

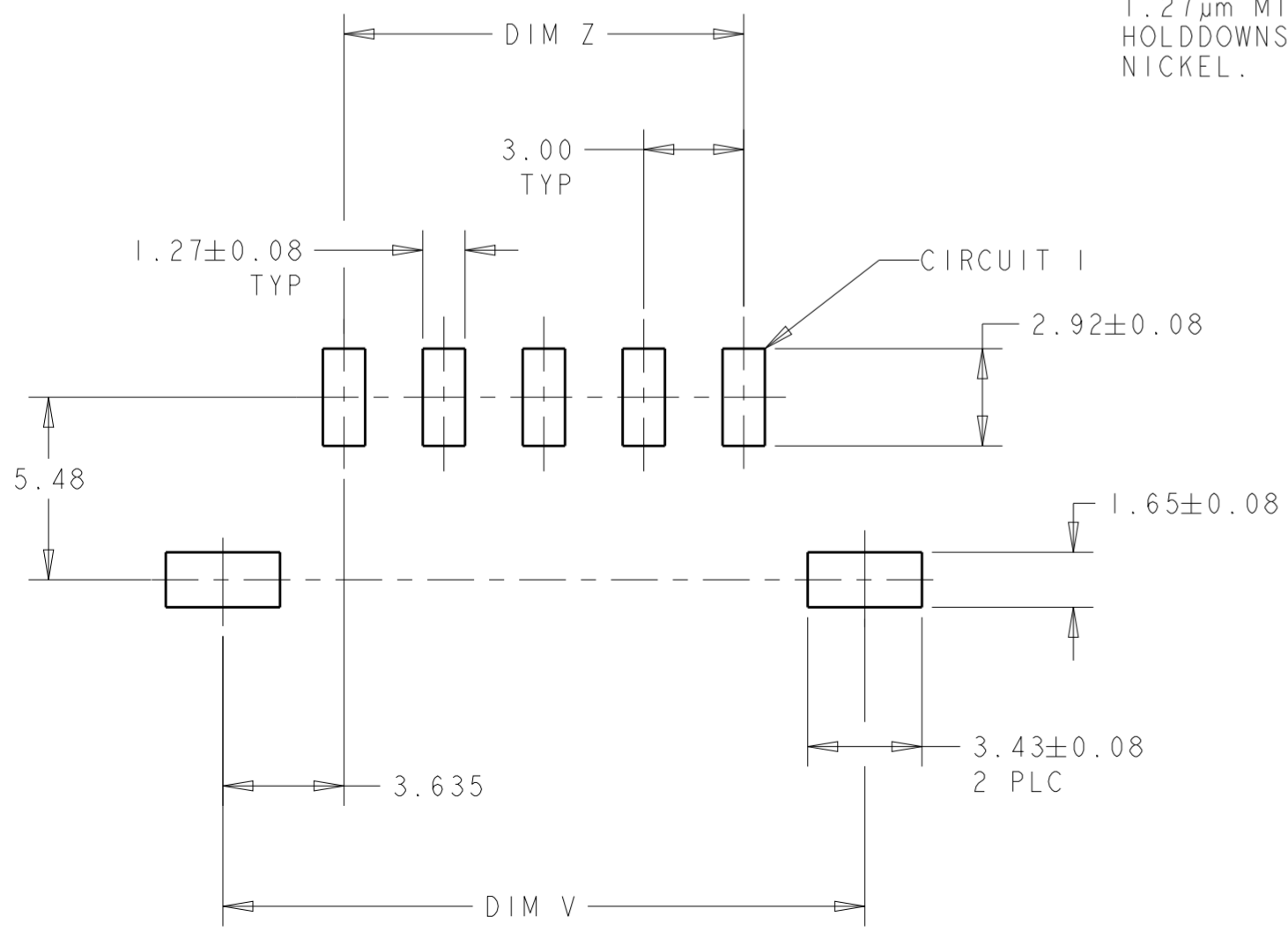
REVISIONS					
P	LTR	DESCRIPTION	DATE	DWN	APVD
C2		REVISED PER ECR-16-011494	20JUN2017	NK	CX
C3		ECO-19-006934	13MAY2019	AP	WLS
C4		REVISED PER ECO-20-010933	05AUG2020	WLS	VS



UNREEL DIRECTION OF REVERSE TAPED



- 1 MATERIAL: CONTACTS - BRASS
HOUSING - UL 94V-0 RATED HIGH TEMP NYLON, COLOR BLACK.
HOLDDOWNS: - PHOSPHOR BRONZE.
- 2 PLATING: CONTACTS - 0.76µm MINIMUM GOLD ON MATING END,
2.54µm MINIMUM TIN LEAD ON SOLDER TAILS, BOTH OVER
1.27µm MINIMUM NICKEL.
HOLDDOWNS: 2.54µm MINIMUM MATTE TIN OVER 1.27µm MINIMUM
NICKEL.
- 4 RECOMMENDED PC BOARD THICKNESS OF 1.57.
- 5 PLATING: CONTACTS - 0.76µm MINIMUM GOLD ON MATING END,
2.54µm MINIMUM MATTE TIN ON SOLDER TAILS, BOTH OVER
1.27µm MINIMUM NICKEL.
HOLDDOWNS: 2.54µm MINIMUM MATTE TIN OVER 1.27µm MINIMUM
NICKEL.



PCB LAYOUT COMPONENT SIDE 4

SUPERSEDED BY 3-1445055-2	TAPED	33.00	40.41	40.00	12	+1445100-2
SUPERSEDED BY 3-1445055-1	TAPED	30.00	37.41	37.00	11	+1445100-1
SUPERSEDED BY 3-1445055-0	TAPED	27.00	34.41	34.00	10	+1445100-0
SUPERSEDED BY 2-1445055-9	TAPED	24.00	31.27	31.00	9	+445100-9
SUPERSEDED BY 2-1445055-8	TAPED	21.00	28.41	28.00	8	+445100-8
SUPERSEDED BY 2-1445055-7	TAPED	18.00	25.41	25.00	7	+445100-7
SUPERSEDED BY 2-1445055-6	TAPED	15.00	22.41	22.00	6	+445100-6
SUPERSEDED BY 2-1445055-5	TAPED	12.00	19.41	19.00	5	+445100-5
SUPERSEDED BY 2-1445055-4	TAPED	9.00	16.41	16.00	4	+445100-4
SUPERSEDED BY 2-1445055-3	TAPED	6.00	13.41	13.00	3	+445100-3
SUPERSEDED BY 2-1445055-2	TAPED	3.00	10.41	10.00	2	+445100-2

REVERSE TAPED	5	9.00	16.41	16.00	4	6-1445100-4
TAPED	5	33.00	40.41	40.00	12	3-1445100-2
TAPED	5	30.00	37.41	37.00	11	3-1445100-1
TAPED	5	27.00	34.41	34.00	10	3-1445100-0
TAPED	5	24.00	31.41	31.00	9	2-1445100-9
TAPED	5	21.00	28.41	28.00	8	2-1445100-8
TAPED	5	18.00	25.41	25.00	7	2-1445100-7
TAPED	5	15.00	22.41	22.00	6	2-1445100-6
TAPED	5	12.00	19.41	19.00	5	2-1445100-5
TAPED	5	9.00	16.41	16.00	4	2-1445100-4
TAPED	5	6.00	13.41	13.00	3	2-1445100-3
TAPED	5	3.00	10.41	10.00	2	2-1445100-2
TAPED	5	33.00	40.41	40.00	12	+1445100-2
TAPED	5	30.00	37.41	37.00	11	+1445100-1
TAPED	5	27.00	34.41	34.00	10	+1445100-0
TAPED	5	24.00	31.27	31.00	9	+445100-9
TAPED	5	21.00	28.41	28.00	8	+445100-8
TAPED	5	18.00	25.41	25.00	7	+445100-7
TAPED	5	15.00	22.41	22.00	6	+445100-6
TAPED	5	12.00	19.41	19.00	5	+445100-5
TAPED	5	9.00	16.41	16.00	4	+445100-4
TAPED	5	6.00	13.41	13.00	3	+445100-3
TAPED	5	3.00	10.41	10.00	2	+445100-2
PACKAGING	FINISH	DIM Z	DIM V	DIM W	NO. OF POSN	PART NUMBER

THIS DRAWING IS A CONTROLLED DOCUMENT. DWN J.ROOT 09OCT2000
 CHK K.WHITAKER 17-APR-2001
 APVD C.JONES 17-APR-2001

STE TE Connectivity

NAME: RIGHT ANGLE SURFACE MNT HEADER ASSY, 0.76 MIC GOLD CONTACTS, W/SURF MOUNT, HOLDDOWNS, SGL ROW, MICRO MATE-N-LOK™

PRODUCT SPEC: 108-1836
 APPLICATION SPEC: 114-13000

SIZE: A2 CAGE CODE: 00779 DRAWING NO: 1445100
 WEIGHT: -

CUSTOMER DRAWING SCALE: 5:1 SHEET: 1 OF 1 REV: C4

X-ON Electronics

Largest Supplier of Electrical and Electronic Components

Click to view similar products for [Pin & Socket Connectors](#) category:

Click to view products by [TE Connectivity](#) manufacturer:

Other Similar products are found below :

[6450822-1](#) [770392-1](#) [794042-1](#) [796885-1](#) [8-794535-1](#) [PLR3455ACS-222](#) [R929991004](#) [R929993003](#) [1403611-1](#) [1-480349-5](#) [152302-5](#)
[153211-2](#) [1586092-1](#) [1586129-1](#) [1586681-4](#) [1586700-1](#) [1586368-1](#) [1586380-1](#) [1586616-1](#) [1586680-5](#) [16-06-0038](#) [164164-5](#) [1-6609930-1](#)
[172296-1](#) [19-09-2035](#) [200503-1](#) [200788-2](#) [2029090-4](#) [2029095-4](#) [925061-7](#) [293734-4](#) [293737-2](#) [1-765362-4](#) [1871534-1](#) [200833-4](#)
[2008625-2](#) [2029027-2](#) [2029096-4](#) [R929991000](#) [R929991002](#) [R929993000](#) [319-10-101-00-005000](#) [319-10-102-00-001000](#) [319-10-104-00-001000](#) [319-10-105-00-001000](#) [319-10-108-00-001000](#) [319-10-112-00-006000](#) [39-01-8019](#) [319-10-101-00-001000](#) [319-10-102-00-005000](#)