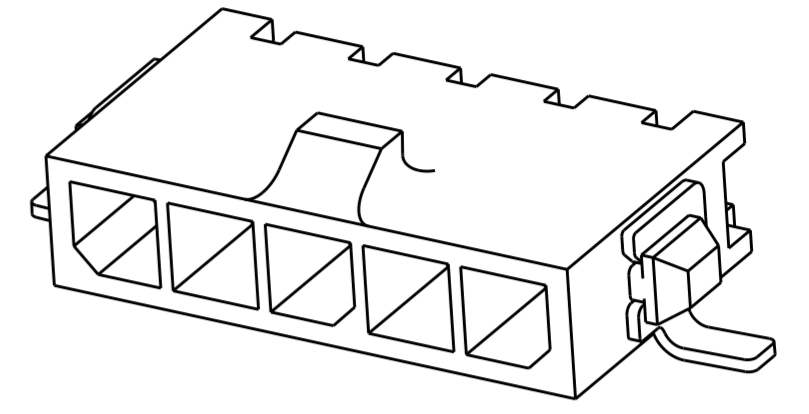
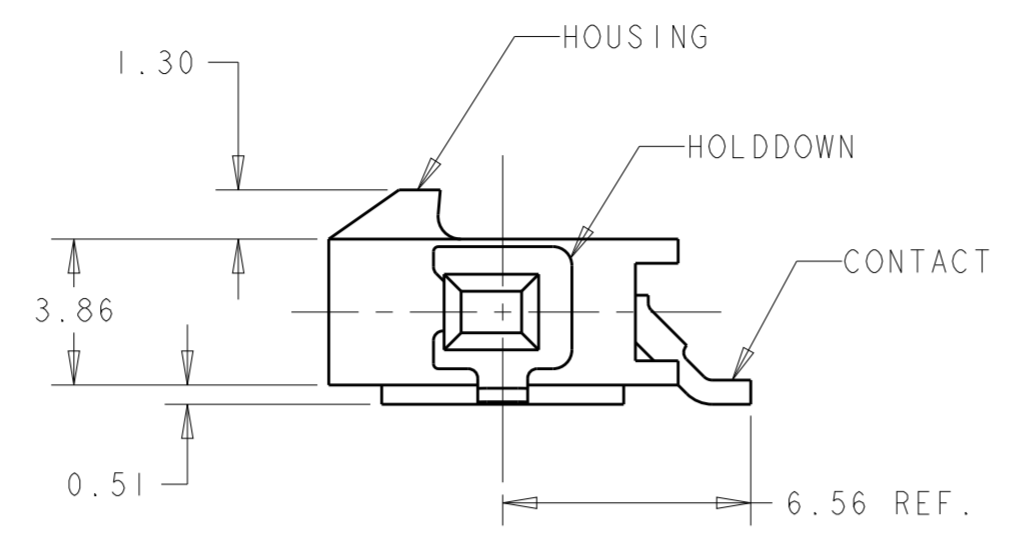
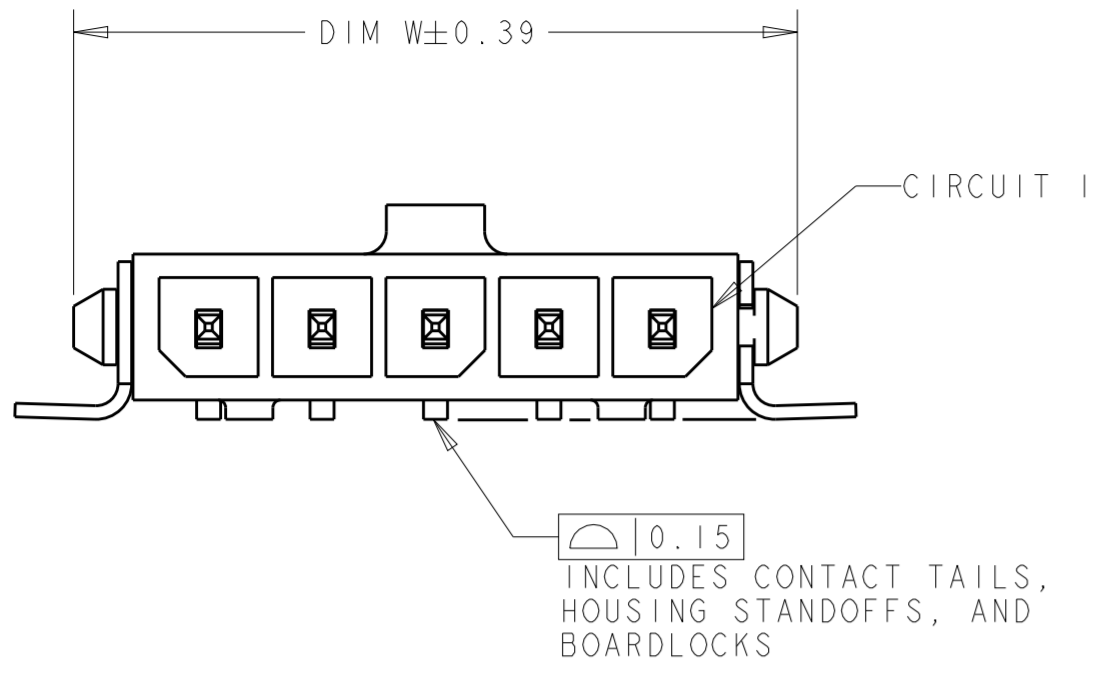
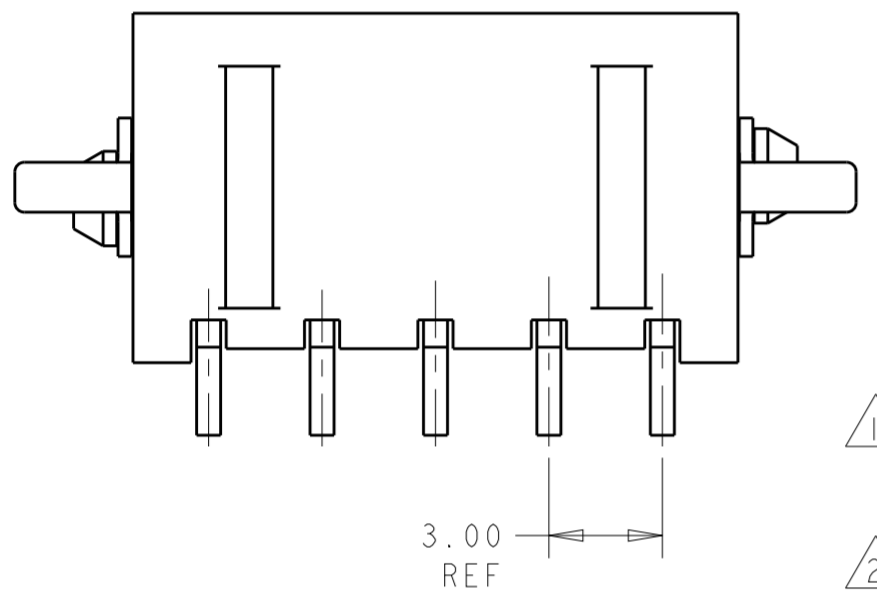


THIS DRAWING IS UNPUBLISHED. RELEASED FOR PUBLICATION 2009
 © COPYRIGHT 2009 BY - ALL RIGHTS RESERVED.

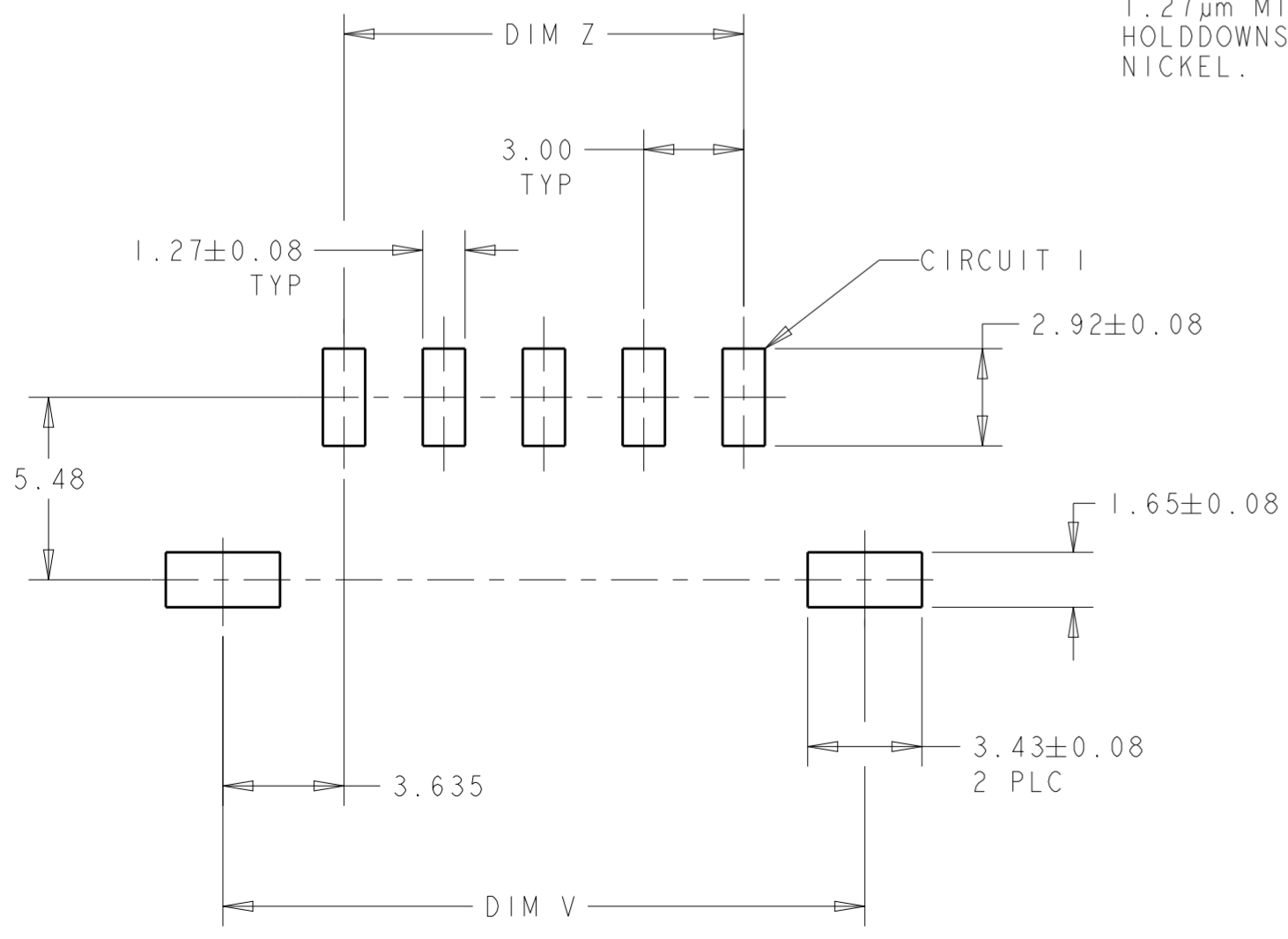
| REVISIONS | | | | |
|-----------|-----|---------------------------|-----------|--------|
| P | LTR | DESCRIPTION | DATE | APVD |
| C2 | | REVISED PER ECR-16-011494 | 20JUN2017 | NK CX |
| C3 | | ECO-19-006934 | 13MAY2019 | AP WLS |
| C4 | | REVISED PER ECO-20-010933 | 05AUG2020 | WLS VS |



UNREEL DIRECTION OF REVERSE TAPED



- 1 MATERIAL: CONTACTS - BRASS
HOUSING - UL 94V-0 RATED HIGH TEMP NYLON, COLOR BLACK.
HOLDDOWNS: - PHOSPHOR BRONZE.
- 2 PLATING: CONTACTS - 0.76µm MINIMUM GOLD ON MATING END,
2.54µm MINIMUM TIN LEAD ON SOLDER TAILS, BOTH OVER
1.27µm MINIMUM NICKEL.
HOLDDOWNS: 2.54µm MINIMUM MATTE TIN OVER 1.27µm MINIMUM
NICKEL.
- 4 RECOMMENDED PC BOARD THICKNESS OF 1.57.
- 5 PLATING: CONTACTS - 0.76µm MINIMUM GOLD ON MATING END,
2.54µm MINIMUM MATTE TIN ON SOLDER TAILS, BOTH OVER
1.27µm MINIMUM NICKEL.
HOLDDOWNS: 2.54µm MINIMUM MATTE TIN OVER 1.27µm MINIMUM
NICKEL.



PCB LAYOUT COMPONENT SIDE 4

| | | | | | | |
|---------------------------|-------|-------|-------|-------|----|------------|
| SUPERSEDED BY 3-1445055-2 | TAPED | 33.00 | 40.41 | 40.00 | 12 | +1445100-2 |
| SUPERSEDED BY 3-1445055-1 | TAPED | 30.00 | 37.41 | 37.00 | 11 | +1445100-1 |
| SUPERSEDED BY 3-1445055-0 | TAPED | 27.00 | 34.41 | 34.00 | 10 | +1445100-0 |
| SUPERSEDED BY 2-1445055-9 | TAPED | 24.00 | 31.27 | 31.00 | 9 | +445100-9 |
| SUPERSEDED BY 2-1445055-8 | TAPED | 21.00 | 28.41 | 28.00 | 8 | +445100-8 |
| SUPERSEDED BY 2-1445055-7 | TAPED | 18.00 | 25.41 | 25.00 | 7 | +445100-7 |
| SUPERSEDED BY 2-1445055-6 | TAPED | 15.00 | 22.41 | 22.00 | 6 | +445100-6 |
| SUPERSEDED BY 2-1445055-5 | TAPED | 12.00 | 19.41 | 19.00 | 5 | +445100-5 |
| SUPERSEDED BY 2-1445055-4 | TAPED | 9.00 | 16.41 | 16.00 | 4 | +445100-4 |
| SUPERSEDED BY 2-1445055-3 | TAPED | 6.00 | 13.41 | 13.00 | 3 | +445100-3 |
| SUPERSEDED BY 2-1445055-2 | TAPED | 3.00 | 10.41 | 10.00 | 2 | +445100-2 |

| PACKAGING | FINISH | DIM Z | DIM V | DIM W | NO. OF POSN | PART NUMBER |
|---------------|--------|-------|-------|-------|-------------|-------------|
| REVERSE TAPED | 5 | 9.00 | 16.41 | 16.00 | 4 | 6-1445100-4 |
| TAPED | 5 | 33.00 | 40.41 | 40.00 | 12 | 3-1445100-2 |
| TAPED | 5 | 30.00 | 37.41 | 37.00 | 11 | 3-1445100-1 |
| TAPED | 5 | 27.00 | 34.41 | 34.00 | 10 | 3-1445100-0 |
| TAPED | 5 | 24.00 | 31.41 | 31.00 | 9 | 2-1445100-9 |
| TAPED | 5 | 21.00 | 28.41 | 28.00 | 8 | 2-1445100-8 |
| TAPED | 5 | 18.00 | 25.41 | 25.00 | 7 | 2-1445100-7 |
| TAPED | 5 | 15.00 | 22.41 | 22.00 | 6 | 2-1445100-6 |
| TAPED | 5 | 12.00 | 19.41 | 19.00 | 5 | 2-1445100-5 |
| TAPED | 5 | 9.00 | 16.41 | 16.00 | 4 | 2-1445100-4 |
| TAPED | 5 | 6.00 | 13.41 | 13.00 | 3 | 2-1445100-3 |
| TAPED | 5 | 3.00 | 10.41 | 10.00 | 2 | 2-1445100-2 |
| TAPED | 5 | 33.00 | 40.41 | 40.00 | 12 | +1445100-2 |
| TAPED | 5 | 30.00 | 37.41 | 37.00 | 11 | +1445100-1 |
| TAPED | 5 | 27.00 | 34.41 | 34.00 | 10 | +1445100-0 |
| TAPED | 5 | 24.00 | 31.27 | 31.00 | 9 | +445100-9 |
| TAPED | 5 | 21.00 | 28.41 | 28.00 | 8 | +445100-8 |
| TAPED | 5 | 18.00 | 25.41 | 25.00 | 7 | +445100-7 |
| TAPED | 5 | 15.00 | 22.41 | 22.00 | 6 | +445100-6 |
| TAPED | 5 | 12.00 | 19.41 | 19.00 | 5 | +445100-5 |
| TAPED | 5 | 9.00 | 16.41 | 16.00 | 4 | +445100-4 |
| TAPED | 5 | 6.00 | 13.41 | 13.00 | 3 | +445100-3 |
| TAPED | 5 | 3.00 | 10.41 | 10.00 | 2 | +445100-2 |

THIS DRAWING IS A CONTROLLED DOCUMENT. DWN J.ROOT 09OCT2000
 CHK K.WHITAKER 17-APR-2001
 APVD C.JONES 17-APR-2001

STE TE Connectivity

NAME: RIGHT ANGLE SURFACE MNT HEADER ASSY, 0.76 MIC GOLD CONTACTS, W/SURF MOUNT, HOLDDOWNS, SGL ROW, MICRO MATE-N-LOK™

PRODUCT SPEC: 108-1836
 APPLICATION SPEC: 114-13000

SIZE: A2 CAGE CODE: 00779 DRAWING NO: 1445100 RESTRICTED TO: -
 WEIGHT: -
 CUSTOMER DRAWING SCALE: 5:1 SHEET: 1 OF 1 REV: C4

X-ON Electronics

Largest Supplier of Electrical and Electronic Components

Click to view similar products for [Pin & Socket Connectors](#) category:

Click to view products by [TE Connectivity](#) manufacturer:

Other Similar products are found below :

[6450822-1](#) [770392-1](#) [794042-1](#) [796885-1](#) [8-794535-1](#) [PLR3455ACS-222](#) [R929991004](#) [R929993003](#) [1403611-1](#) [1-480349-5](#) [152302-5](#)
[153211-2](#) [1586092-1](#) [1586129-1](#) [1586681-4](#) [1586700-1](#) [1586368-1](#) [1586380-1](#) [1586616-1](#) [1586680-5](#) [16-06-0038](#) [164164-5](#) [1-6609930-1](#)
[172296-1](#) [19-09-2035](#) [200503-1](#) [200788-2](#) [2029090-4](#) [2029095-4](#) [925061-7](#) [293734-4](#) [293737-2](#) [1-765362-4](#) [1871534-1](#) [200833-4](#)
[2008625-2](#) [2029027-2](#) [2029096-4](#) [R929991000](#) [R929991002](#) [R929993000](#) [319-10-101-00-005000](#) [319-10-102-00-001000](#) [319-10-104-00-001000](#) [319-10-105-00-001000](#) [319-10-108-00-001000](#) [319-10-112-00-006000](#) [39-01-8019](#) [319-10-101-00-001000](#) [319-10-102-00-005000](#)