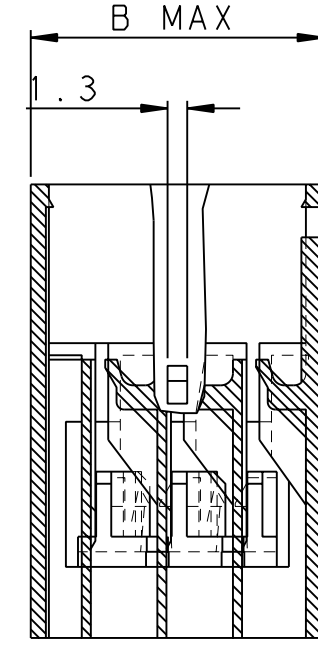
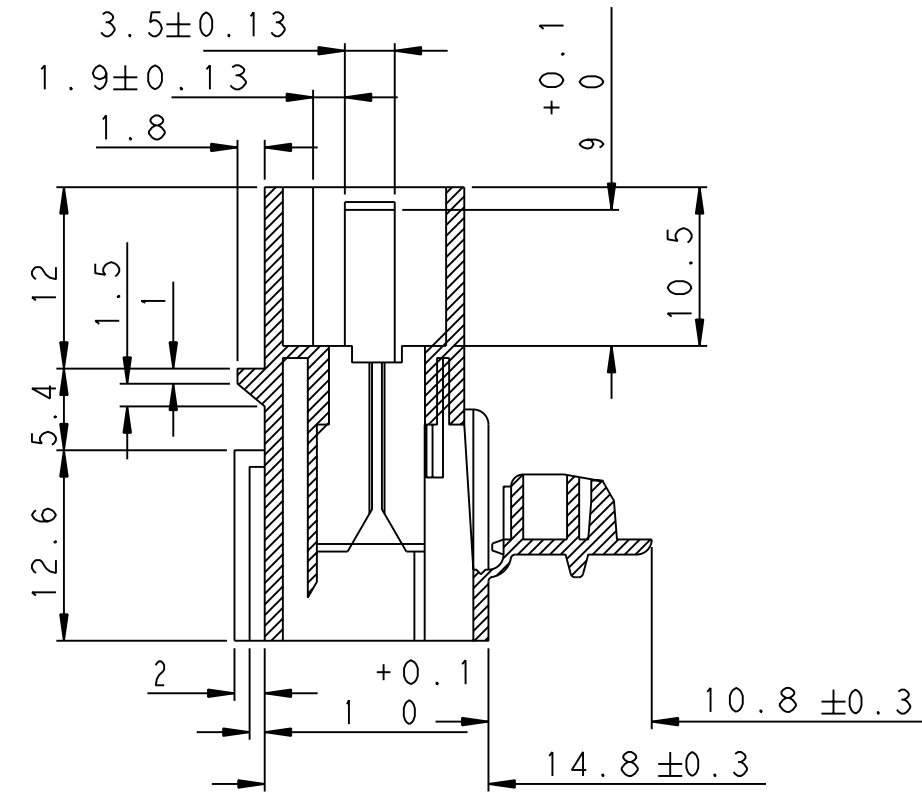


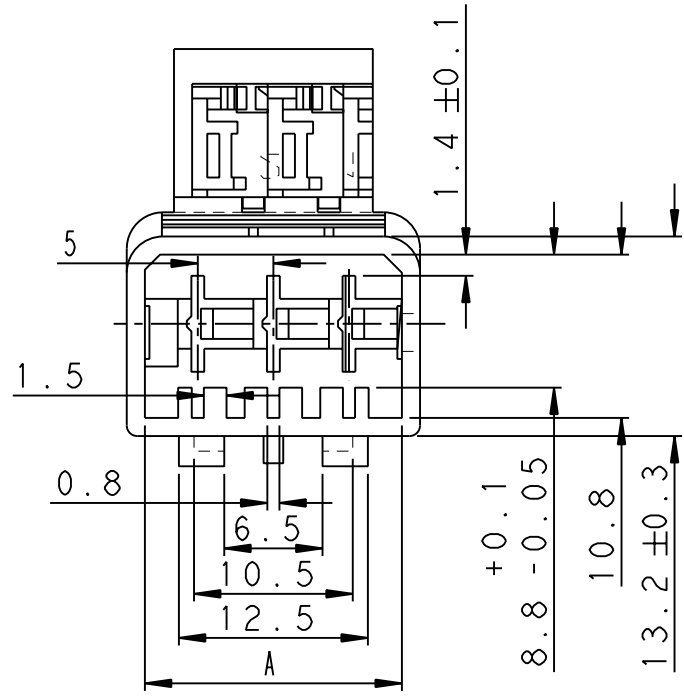
THIS DRAWING IS UNPUBLISHED. RELEASED FOR PUBLICATION 2011
 © COPYRIGHT 2011 BY - ALL RIGHTS RESERVED.

LOC	DIST	REVISIONS			
P	LTR	DESCRIPTION	DATE	DWN	APVD
A1	-				
	C	CHANGE COTES 3.5 ET 1.9	18AUG2011	PB	JPP

COUPE B-B



⚠ OBSOLETE PARTS: OBSOLETE CIS STREAMLINING PER D.RENAUD/D.SINISI



KEYING (DETROMPAGES)			
2 POSITIONS		3 POSITIONS	
	BLACK (NOIR) 0-144835-2		BLACK (NOIR) 0-144835-3
	BROWN (MARRON) 1-144835-2		BROWN (MARRON) 1-144835-3
	RED (ROUGE) 2-144835-2		RED (ROUGE) 2-144835-3
	ORANGE 3-144835-2		ORANGE 3-144835-3
	YELLOW (JAUNE) 4-144835-2		YELLOW (JAUNE) 4-144835-3
	GREEN (VERT) 5-144835-2		GREEN (VERT) 5-144835-3
	BLUE (BLEU) 6-144835-2		BLUE (BLEU) 6-144835-3
	VIOLET 7-144835-2		VIOLET 7-144835-3
	GREY (GREY) 8-144835-2		GREY (GREY) 8-144835-3
	WHITE (BLANC) 9-144835-2		WHITE (BLANC) 9-144835-3

19.7	17	3	144835-3
14.7	12	2	144835-2
B	A	Nb de VOIES (Nb of WAYS)	REFERENCES

⚠ OBSOLETE

THIS DRAWING IS A CONTROLLED DOCUMENT.		DWN P.BACHELOT 18AUG2011	TE Connectivity NAME BOITIER PORTE -LANG 5MM DOUBLE VERROU (housing for tab 5 mm double locking)	
DIMENSIONS: mm		CHK JP PICAUD 18AUG2011		
TOLERANCES UNLESS OTHERWISE SPECIFIED:		APVD JJ REVIL 18AUG2011		
		PRODUCT SPEC -	SIZE A3	
MATERIAL PA 6.6		APPLICATION SPEC -	CAGE CODE 00779	
FINISH -		WEIGHT -	DRAWING NO C-144835	
CUSTOMER DRAWING / PLAN CLIENT			UNTOULEMENT POUR REFERENCE	RESTRICTED TO -
SCALE -			SHEET 1 OF 1	REV C

X-ON Electronics

Largest Supplier of Electrical and Electronic Components

Click to view similar products for [Terminals](#) category:

Click to view products by [TE Connectivity](#) manufacturer:

Other Similar products are found below :

[00-054007-01074-6](#) [00-054007-70206-1](#) [00-054007-70210-8](#) [00-054007-70217-7](#) [00-054007-70226-9](#) [00-054007-70228-3](#) [00-054007-70248-1](#) [00-054007-70256-6](#) [00-054007-70301-3](#) [00-054007-70316-7](#) [00-054007-49560-4](#) [00-054007-70209-2](#) [00-054007-70225-2](#) [00-054007-70227-6](#) [00-054007-70231-3](#) [00-054007-70241-2](#) [00-054007-70242-9](#) [00-054007-70244-3](#) [00-054007-70246-7](#) [00-054007-70263-4](#) [00-054007-70288-7](#) [00-054007-70290-0](#) [00-054007-70300-6](#) [00-054007-70304-4](#) [01-2065-1-0216](#) [01-2900-1-04412](#) [00581P0075](#) [600TS-10](#) [60205-1](#) [604200-1](#) [605601-1](#) [60598-1-CUT-TAPE](#) [61314-6-C](#) [61810-3](#) [61-S](#) [61-SN](#) [626-0194](#) [62-NBM-A](#) [62-SN](#) [62-SP](#) [63-S](#) [640179-1](#) [M55155/059I03](#) [M55155/079C01](#) [M55155/099H02](#) [M55155/109H01](#) [M55155/109H02](#) [M55155/12XH05](#) [M55155/16XH02](#) [M55155/29-5S](#)