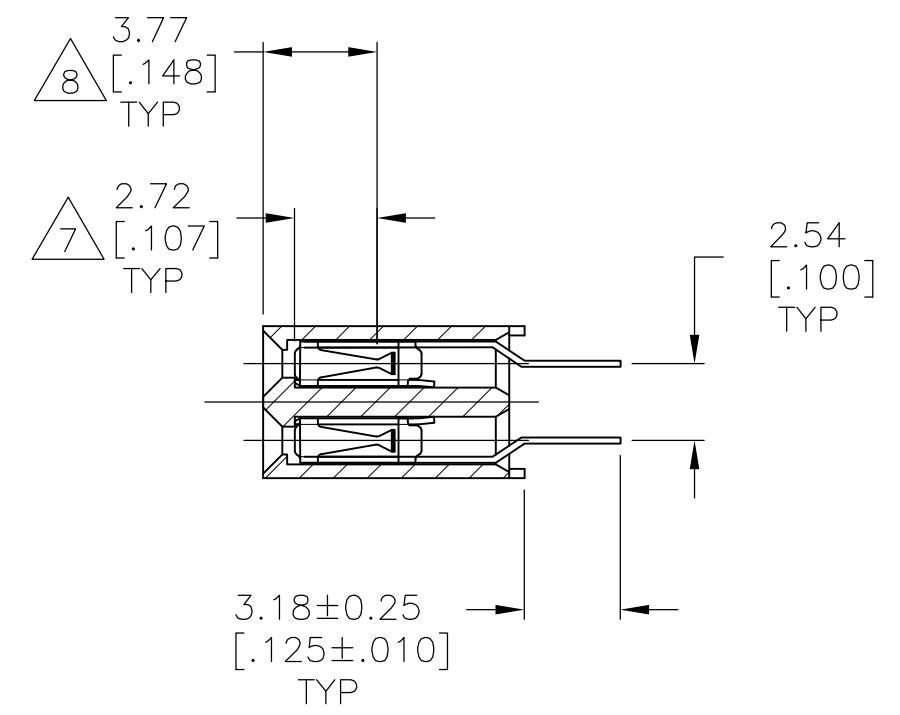
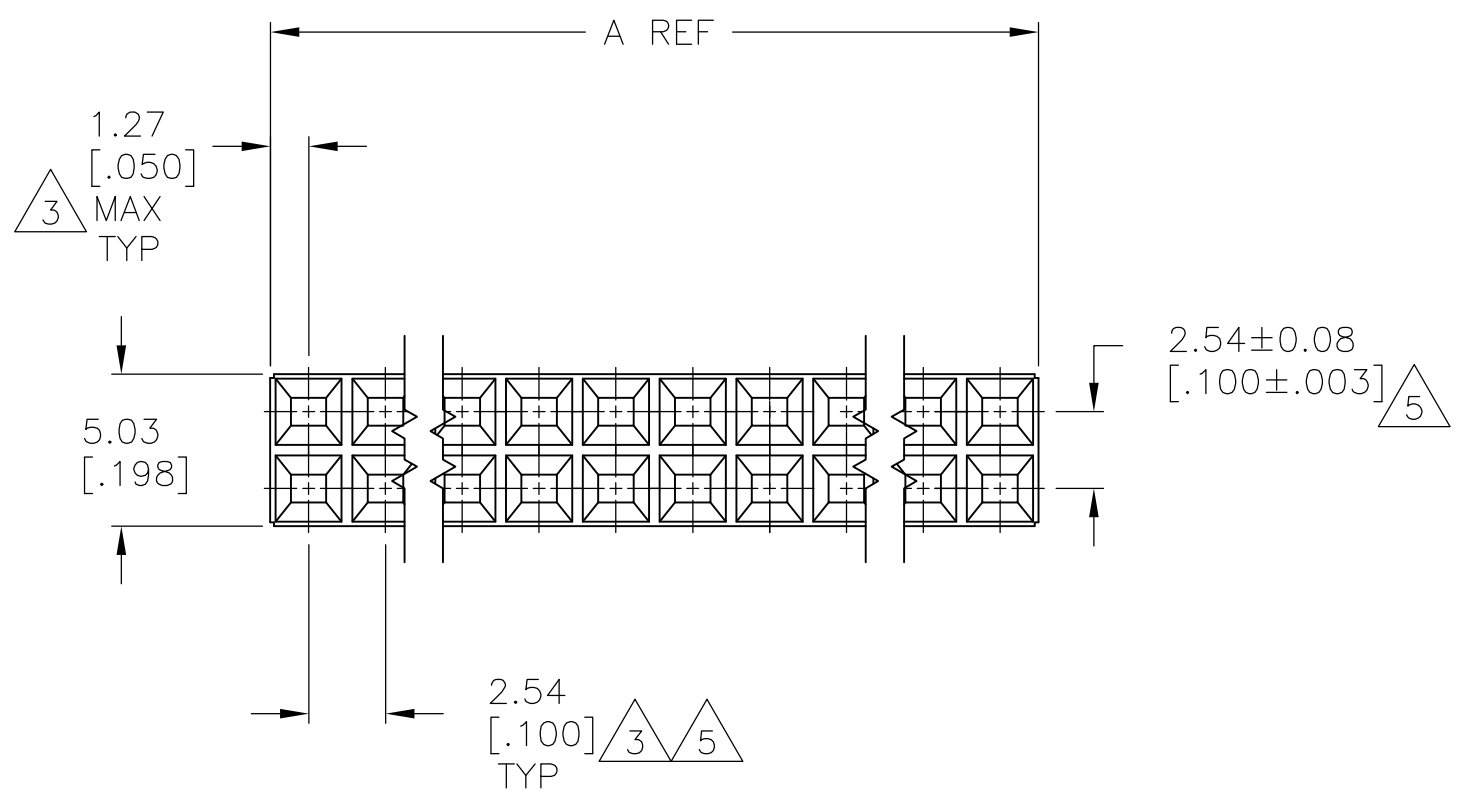
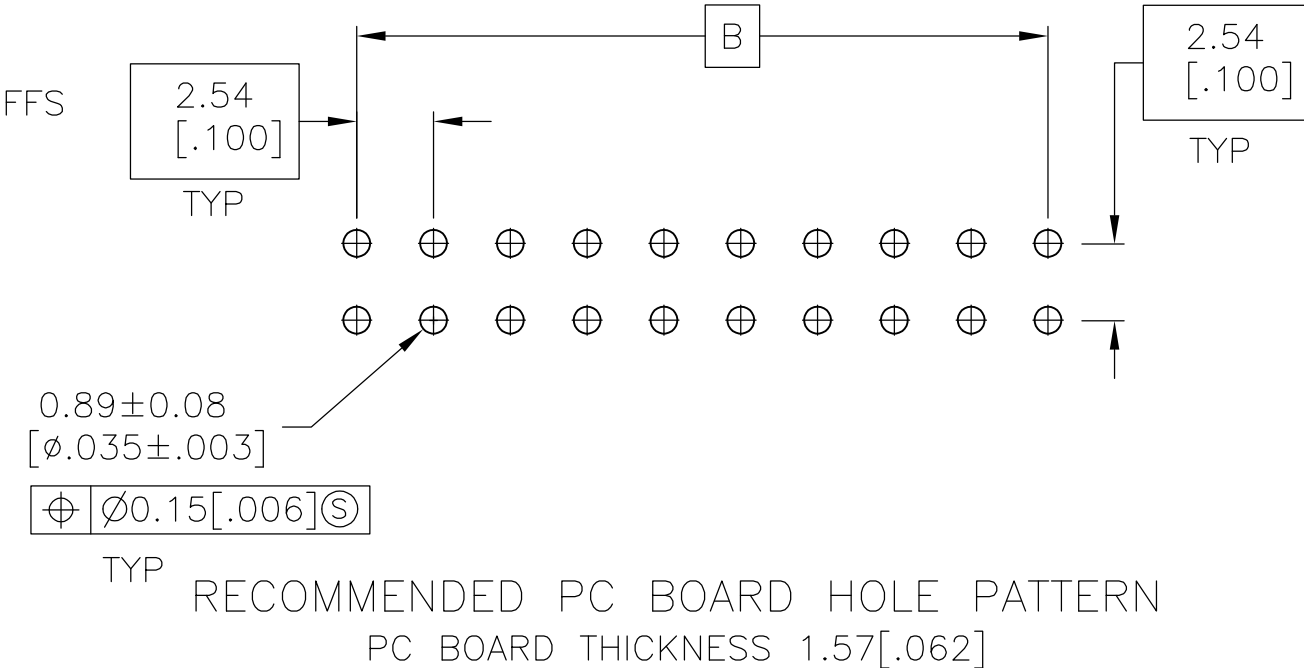
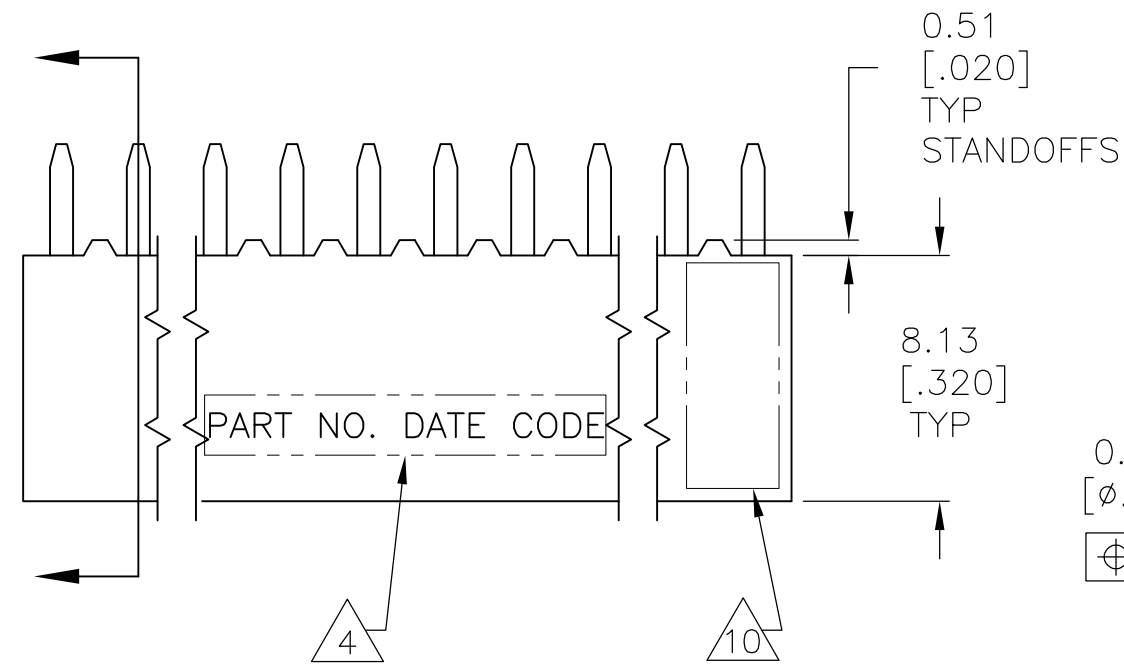


THIS DRAWING IS UNPUBLISHED. RELEASED FOR PUBLICATION
 © COPYRIGHT - By - ALL RIGHTS RESERVED.

LOC		DIST		REVISIONS				
P	LTR	DESCRIPTION			DATE	DWN	APVD	
AD	00	J5	REVISED PER ECO-13-005565	29MAR13	KH	JO		



FINISH	B	A	NO OF POSN	PART NUMBER
2	99.06 [3.900]	101.60 [4.000]	80	4-146762-0
2	96.52 [3.800]	99.06 [3.900]	78	3-146762-9
2	93.98 [3.700]	96.52 [3.800]	76	3-146762-8
2	91.44 [3.600]	93.98 [3.700]	74	3-146762-7
2	88.90 [3.500]	91.44 [3.600]	72	3-146762-6
2	86.36 [3.400]	88.90 [3.500]	70	3-146762-5
2	83.82 [3.300]	86.36 [3.400]	68	3-146762-4
2	81.28 [3.200]	83.82 [3.300]	66	3-146762-3
2	76.20 [3.000]	78.74 [3.100]	62	3-146762-2
2	73.66 [2.900]	76.20 [3.000]	60	3-146762-1
2	71.12 [2.800]	73.66 [2.900]	58	3-146762-0
2	68.58 [2.700]	71.12 [2.800]	56	2-146762-9
2	66.04 [2.600]	68.58 [2.700]	54	2-146762-8
2	63.50 [2.500]	66.04 [2.600]	52	2-146762-7
2	60.96 [2.400]	63.50 [2.500]	50	2-146762-6
2	58.42 [2.300]	60.96 [2.400]	48	2-146762-5
2	55.88 [2.200]	58.42 [2.300]	46	2-146762-4
2	53.34 [2.100]	55.88 [2.200]	44	2-146762-3
2	50.80 [2.000]	53.34 [2.100]	42	2-146762-2
2	45.72 [1.800]	48.26 [1.900]	38	2-146762-1
2	43.18 [1.700]	45.72 [1.800]	36	2-146762-0
2	40.64 [1.600]	43.18 [1.700]	34	1-146762-9
2	38.10 [1.500]	40.64 [1.600]	32	1-146762-8
2	33.02 [1.300]	35.56 [1.400]	28	1-146762-7
2	30.48 [1.200]	33.02 [1.300]	26	1-146762-6
2	27.94 [1.100]	30.48 [1.200]	24	1-146762-5
2	25.40 [1.000]	27.94 [1.100]	22	1-146762-4
2	17.78 [.700]	20.32 [.800]	16	1-146762-3
2	15.24 [.600]	17.78 [.700]	14	1-146762-2
2	12.70 [.500]	15.24 [.600]	12	1-146762-1
9 2	5.08 [.200]	7.62 [.300]	6	1-146762-0
9 2	2.54 [.100]	5.08 [.200]	4	146762-9
9 2	-	2.54 [.100]	2	6 146762-8
2	22.86 [.900]	25.40 [1.000]	20	146762-7
2	78.74 [3.100]	81.28 [3.200]	64	146762-6
2	48.26 [1.900]	50.80 [2.000]	40	146762-5
2	35.56 [1.400]	38.10 [1.500]	30	146762-4
2	20.32 [.800]	22.86 [.900]	18	146762-3
9 2	10.16 [.400]	12.70 [.500]	10	146762-2
9 2	7.62 [.300]	10.16 [.400]	8	146762-1

- 1 HOUSING: FLAME RETARDANT, GLASS FILLED, POLYESTER, COLOR: BLACK. CONTACT: PHOSPHOR BRONZE
- 2 CONTACT: 3.81-7.62MICROMETERS(.000150-.000300) BRIGHT TIN-LEAD OVER 1.27µm[.000050] MINIMUM NICKEL
- 3 THESE DIMENSIONS PERTAIN TO CAVIITY CENTERLINES ONLY - NOT TO CONTACT LOCATIONS
- 4 MARK PART NUMBER AND DATE CODE IN APPROXIMATE LOCATION SHOWN. EITHER SIDE.
- 5 TOLERANCE IS NON-CUMULATIVE.
- 6 2 POSITION DATE CODE IS MARKED OPPOSITE SIDE OF TE CONNECTIVITY LOGO.
- 7 POINT-OF-MEASUREMENT DIMENSION FOR PLATING THICKNESS (INSIDE CONTACT BEAM).
- 8 POINT-OF-CONTACT DIMENSION.
- 9 NO PART NUMBER MARKING REQUIRED FOR THIS PART.
- 10 TE CONNECTIVITY LOGO AND CSA LOGO ARE MOLDED INTO HOUSING.
- 11 CONTACT: 3.81-7.62 MICROMETERS (.000150-.000300) MATTE TIN OVER 1.27 MICROMETERS (.000050) MINIMUM NICKEL
- 12 ROHS 2002 /95/EC COMPLIANT

SUPERSEDED 6-146762-2
 SUPERSEDED 6-146762-0
 SUPERSEDED 5-146762-9

THIS DRAWING IS A CONTROLLED DOCUMENT. DWN M.BINNER 06NOV2002
 CHK J.OLSON 06NOV02
 APVD J.OLSON 06NOV02
 PRODUCT SPEC 108-25022
 APPLICATION SPEC 114-25018

STE TE Connectivity

RECEPTACLE ASSEMBLY, MOD IV, DOUBLE ROW, TOP ENTRY, .100X.100CL, VERTICAL MOUNT, AMPMODU

SIZE A2 CAGE CODE 00779 DRAWING NO. 146762 RESTRICTED TO -
 SCALE 4:1 SHEET 1 OF 2 REV J5

MATERIAL 1 FINISH 2 11
 CUSTOMER DRAWING


THIS DRAWING IS UNPUBLISHED. RELEASED FOR PUBLICATION
 © COPYRIGHT - By - ALL RIGHTS RESERVED.

LOC	DIST	REVISIONS					
AD	00	P	LTR	DESCRIPTION	DATE	DWN	APVD
		-		SEE SHEET I	-	-	-

11	99.06 [3.900]	101.60 [4.000]	80	12	9-146762-0
11	96.52 [3.800]	99.06 [3.900]	78	12	8-146762-9
11	93.98 [3.700]	96.52 [3.800]	76	12	8-146762-8
11	91.44 [3.600]	93.98 [3.700]	74	12	8-146762-7
11	88.90 [3.500]	91.44 [3.600]	72	12	8-146762-6
11	86.36 [3.400]	88.90 [3.500]	70	12	8-146762-5
11	83.82 [3.300]	86.36 [3.400]	68	12	8-146762-4
11	81.28 [3.200]	83.82 [3.300]	66	12	8-146762-3
11	76.20 [3.000]	78.74 [3.100]	62	12	8-146762-2
11	73.66 [2.900]	76.20 [3.000]	60	12	8-146762-1
11	71.12 [2.800]	73.66 [2.900]	58	12	8-146762-0
11	68.58 [2.700]	71.12 [2.800]	56	12	7-146762-9
11	66.04 [2.600]	68.58 [2.700]	54	12	7-146762-8
11	63.50 [2.500]	66.04 [2.600]	52	12	7-146762-7
11	60.96 [2.400]	63.50 [2.500]	50	12	7-146762-6
11	58.42 [2.300]	60.96 [2.400]	48	12	7-146762-5
11	55.88 [2.200]	58.42 [2.300]	46	12	7-146762-4
11	53.34 [2.100]	55.88 [2.200]	44	12	7-146762-3
11	50.80 [2.000]	53.34 [2.100]	42	12	7-146762-2
11	45.72 [1.800]	48.26 [1.900]	38	12	7-146762-1
11	43.18 [1.700]	45.72 [1.800]	36	12	7-146762-0
11	40.64 [1.600]	43.18 [1.700]	34	12	6-146762-9
11	38.10 [1.500]	40.64 [1.600]	32	12	6-146762-8
11	33.02 [1.300]	35.56 [1.400]	28	12	6-146762-7
11	30.48 [1.200]	33.02 [1.300]	26	12	6-146762-6
11	27.94 [1.100]	30.48 [1.200]	24	12	6-146762-5
11	25.40 [1.000]	27.94 [1.100]	22	12	6-146762-4
11	17.78 [.700]	20.32 [.800]	16	12	6-146762-3
11	15.24 [.600]	17.78 [.700]	14	12	6-146762-2
11	12.70 [.500]	15.24 [.600]	12	12	6-146762-1
9	5.08 [.200]	7.62 [.300]	6	12	6-146762-0
9	2.54 [.100]	5.08 [.200]	4	12	5-146762-9
9		2.54 [.100]	2	12	5-146762-8
11	22.86 [.900]	25.40 [1.000]	20	12	5-146762-7
11	78.74 [3.100]	81.28 [3.200]	64	12	5-146762-6
11	48.26 [1.900]	50.80 [2.000]	40	12	5-146762-5
11	35.56 [1.400]	38.10 [1.500]	30	12	5-146762-4
11	20.32 [.800]	22.86 [.900]	18	12	5-146762-3
9	10.16 [.400]	12.70 [.500]	10	12	5-146762-2
9	7.62 [.300]	10.16 [.400]	8	12	5-146762-1
FINISH	B	A	NO OF POSN	PART NUMBER	

OBSOLETE

146762

THIS DRAWING IS A CONTROLLED DOCUMENT.		DWN M.BINNER 06NOV2002	 TE Connectivity		
DIMENSIONS: mm [INCHES]		CHK J.OLSON 06NOV02			
TOLERANCES UNLESS OTHERWISE SPECIFIED:		APVD J.OLSON 06NOV02	NAME RECEPTACLE ASSEMBLY, MOD IV, DOUBLE ROW, TOP ENTRY, .100X.100CL, VERTICAL MOUNT, AMPMODU		
0 PLC ± - 1 PLC ± - 2 PLC ± 0.13 [.005] 3 PLC ± - 4 PLC ± - ANGLES ± -		PRODUCT SPEC 108-25022	SIZE A2	CAGE CODE 00779	DRAWING NO C=146762
MATERIAL 1	FINISH 2 11	APPLICATION SPEC 114-25018	RESTRICTED TO -	SCALE 1:1 SHEET 2 of 2 REV J5	
CUSTOMER DRAWING					

X-ON Electronics

Largest Supplier of Electrical and Electronic Components

Click to view similar products for [Headers & Wire Housings](#) category:

Click to view products by [TE Connectivity](#) manufacturer:

Other Similar products are found below :

[892-18-020-10-001101](#) [58102-G61-06LF](#) [582553-1](#) [0009485154](#) [009176003701906](#) [0050291907](#) [LY20-4P-DT1-P1E-BR](#) [02.125.8002.8](#)
[609-3404](#) [61062-3](#) [61082-181009](#) [622-3653LF](#) [63453-116](#) [636-1030](#) [636-1427](#) [636-3427](#) [636-4007](#) [641938-9](#) [641991-4](#) [644827-2](#) [65817-010LF](#) [65817-015LF](#) [65863-015LF](#) [66207-023LF](#) [67095-007LF](#) [67601157](#) [68645-018](#) [68648-049](#) [70.362.1628.0](#) [70-4210](#) [70-4226B](#) [70-4853B](#) [707-5020](#) [707-5028](#) [71.350.2428.0](#) [71918-208LF](#) [71961-016LF](#) [733-134](#) [733-162](#) [754199-000](#) [760-3052](#) [787-8014-00](#) [79531-3000](#)
[FCN-360C032-B](#) [FCN-367T-T012/H](#) [FCN-723D010/2](#) [80.063.4001.1](#) [800-90-001-10-001000](#) [800-90-010-10-002000](#) [801-43-002-10-013000](#)