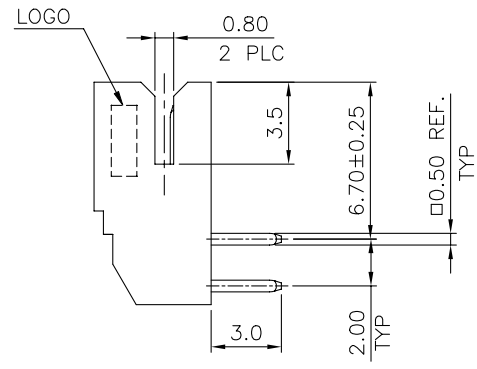
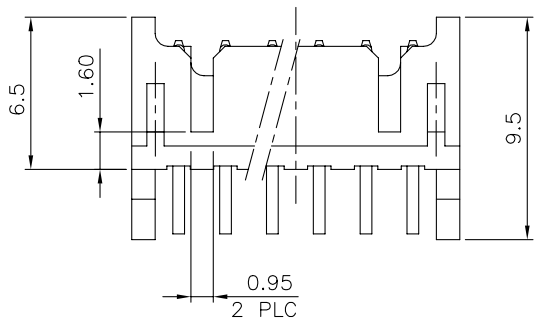
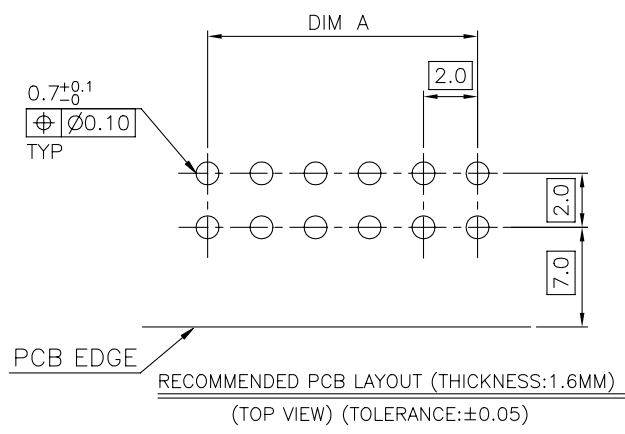
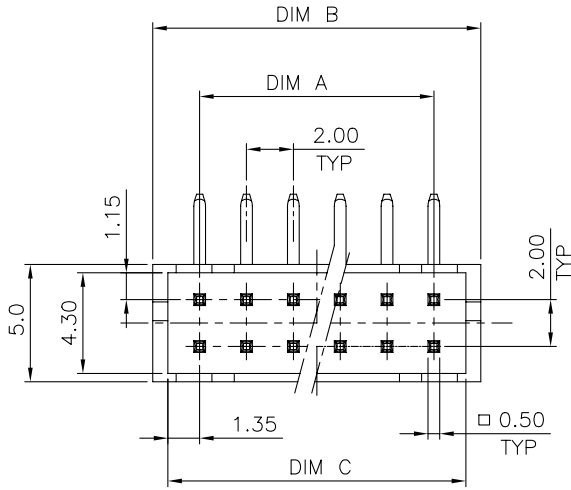


REVISIONS					
P	LTR	DESCRIPTION	DATE	DWN	APVD
	F5	ECR-20-009643	20JUL2020	T.Q	W.H



DIM C	DIM B	DIM A	POS.	PART NUMBER
32.74	34.0	30.0	32	3-1470108-2
30.74	32.0	28.0	30	3-1470108-0
28.74	30.0	26.0	28	2-1470108-8
26.74	28.0	24.0	26	2-1470108-6
24.74	26.0	22.0	24	2-1470108-4
22.74	24.0	20.0	22	2-1470108-2
20.74	22.0	18.0	20	2-1470108-0
REACTIVE 18.74	20.0	16.0	18	1-1470108-8
16.74	18.0	14.0	16	1-1470108-6
14.74	16.0	12.0	14	1-1470108-4
12.74	14.0	10.0	12	1-1470108-2
10.74	12.0	8.0	10	1-1470108-0
8.74	10.0	6.0	8	1470108-8
6.74	8.0	4.0	6	1470108-6

NOTE:

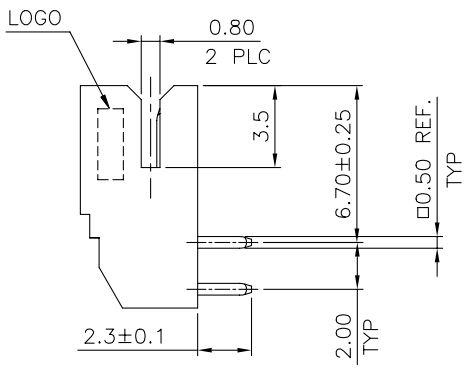
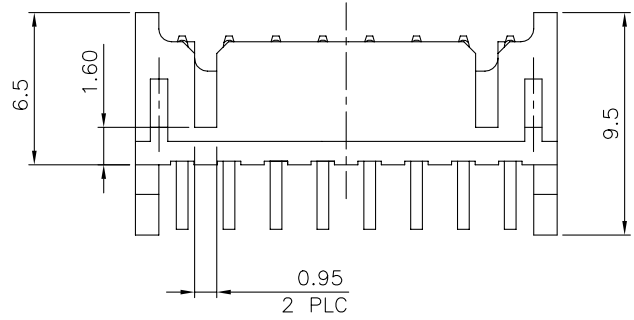
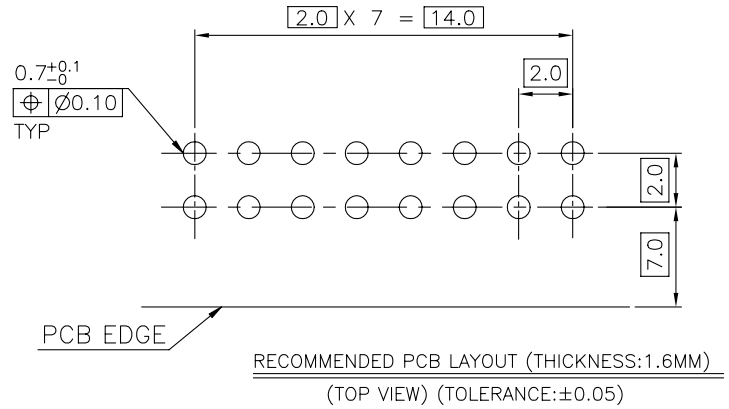
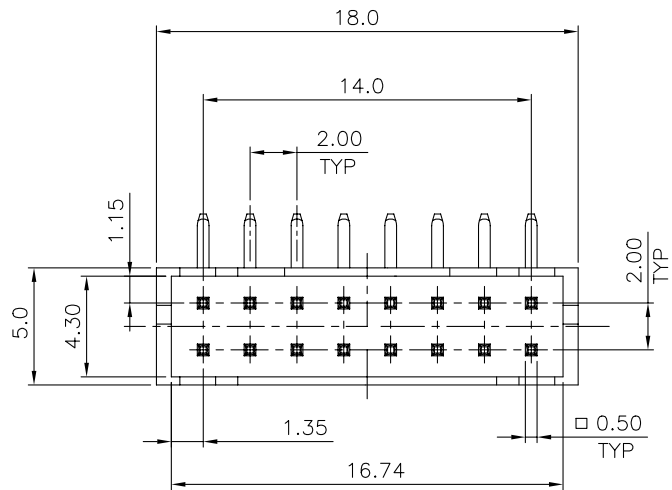
- MATERIAL:  
HOUSING: THERMOPLASTIC UL94V-0, NATURAL COLOR.  
CONTACT: BRASS, THICKNESS=0.20MM.
- FINISH:  
CONTACT: 100u" MIN. TIN PLATED ON CONTACT AREA,  
30u" MIN. NICKEL UNDERPLATED OVER ALL.
- WAVE SOLDER CAPABLE TO 240°C PER TEST SPEC.  
109-202, CONDITION B.

THIS DRAWING IS A CONTROLLED DOCUMENT.		DWN J. LEE 24OCT2005	TE Connectivity	
DIMENSIONS: MM		CHK S. HOU 24OCT2005		
TOLERANCES UNLESS OTHERWISE SPECIFIED:		APVD W.J. KE 24OCT2005	NAME 2.0MM PITCH HEADER, DIP, RIGHT ANGLE TYPE	
0 PLC ± - 1 PLC ± 0.3 2 PLC ± 0.2 3 PLC ± 0.1 4 PLC ± 0.1 ANGLES ± 3°		PRODUCT SPEC 108-57217	QUALIFICATION TEST REPORT	
MATERIAL SEE NOTE		FINISH SEE NOTE	501-57218	RESTRICTED TO
		WEIGHT - GRAMS	SIZE A3	CAGE CODE 00779
		CUSTOMER DRAWING	DRAWING NO C=1470108	SCALE -
			SHEET 1 of 3	REV F5

4 | 3 | 2 | 1

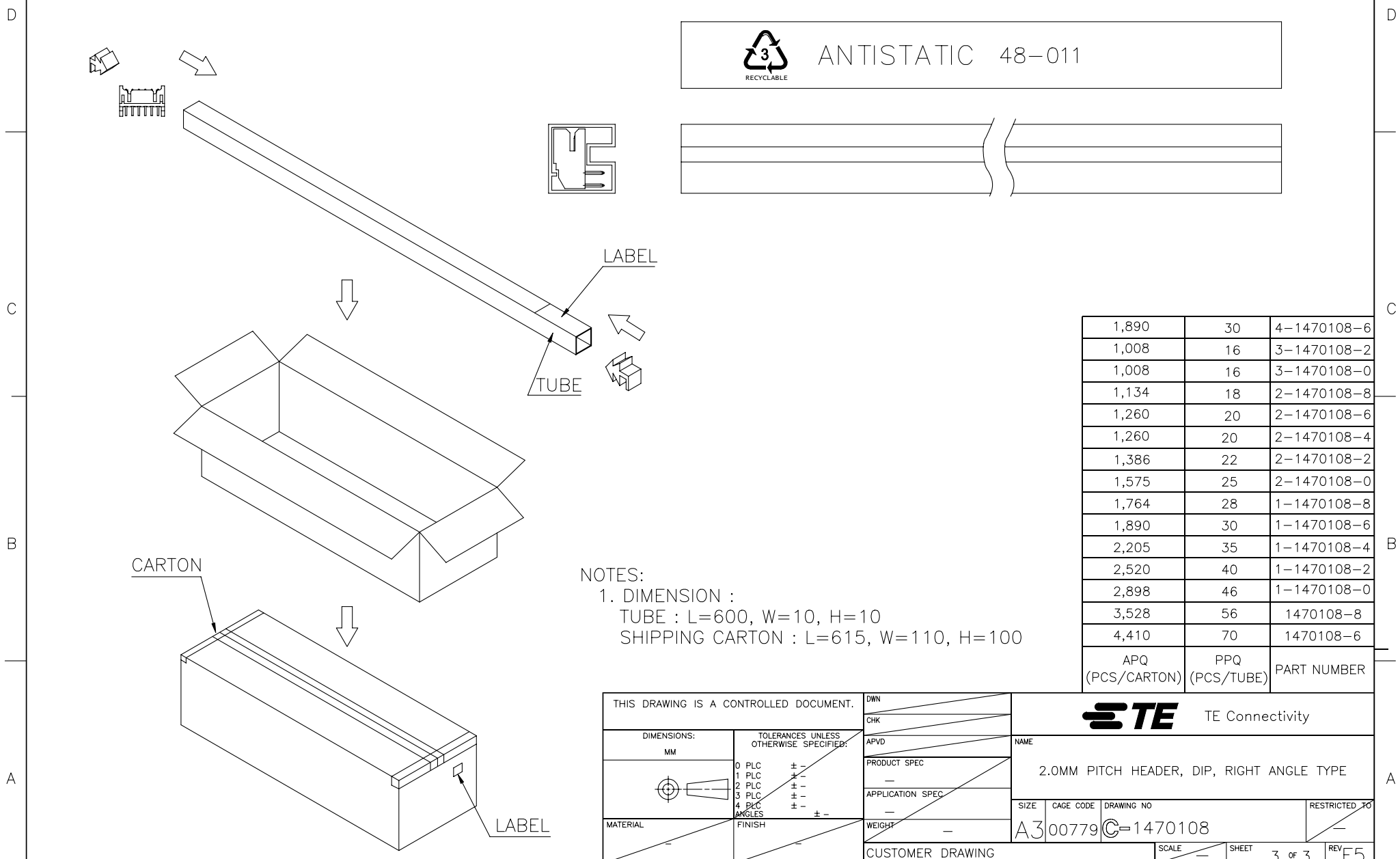
THIS DRAWING IS UNPUBLISHED. RELEASED FOR PUBLICATION AUG. 2006.  
 © COPYRIGHT 2009 BY TYCO ELECTRONICS CORPORATION. ALL RIGHTS RESERVED.

LOC		DIST		REVISIONS			
P	LTR	DESCRIPTION		DATE	DWN	APVD	
DW							
SEE SHEET 1.							



16	4-1470108-6
POS.	PART NUMBER

THIS DRAWING IS A CONTROLLED DOCUMENT.		DWN	<b>TE</b> TE Connectivity		
DIMENSIONS: MM		CHK			
TOLERANCES UNLESS OTHERWISE SPECIFIED:		APVD	NAME		
0 PLC ± -		PRODUCT SPEC	2.0MM PITCH HEADER, DIP, RIGHT ANGLE TYPE		
1 PLC ± 0.3		APPLICATION SPEC	SIZE	CAGE CODE	DRAWING NO
2 PLC ± 0.2		WEIGHT	A3	00779	C=1470108
3 PLC ± 0.1		RESTRICTED TO			
4 PLC ± -		CUSTOMER DRAWING			
ANGLES ± 3'		SCALE	SHEET	REV	
MATERIAL SEE SHEET 1.		F5		2 of 3	
FINISH SEE SHEET 1.					



NOTES:  
 1. DIMENSION :  
 TUBE : L=600, W=10, H=10  
 SHIPPING CARTON : L=615, W=110, H=100

THIS DRAWING IS A CONTROLLED DOCUMENT.		DWN	<b>STE</b> TE Connectivity	
DIMENSIONS: MM		CHK		
TOLERANCES UNLESS OTHERWISE SPECIFIED:		APVD	NAME 2.0MM PITCH HEADER, DIP, RIGHT ANGLE TYPE	
0 PLC ± -		PRODUCT SPEC	SIZE CAGE CODE DRAWING NO RESTRICTED TO	
1 PLC ± -		APPLICATION SPEC	A3 00779 C=1470108	
2 PLC ± -		WEIGHT	CUSTOMER DRAWING	
3 PLC ± -			SCALE SHEET 3 of 3 REV F5	
4 PLC ± -				
ANGLES ± -				
MATERIAL FINISH				

## X-ON Electronics

Largest Supplier of Electrical and Electronic Components

*Click to view similar products for [Headers & Wire Housings](#) category:*

*Click to view products by [TE Connectivity](#) manufacturer:*

Other Similar products are found below :

[892-18-020-10-001101](#) [58102-G61-06LF](#) [582553-1](#) [0009485154](#) [009176003701906](#) [0050291907](#) [LY20-4P-DT1-P1E-BR](#) [02.125.8002.8](#)  
[609-3404](#) [61062-3](#) [61082-181009](#) [622-3653LF](#) [63453-116](#) [636-1030](#) [636-1427](#) [636-3427](#) [636-4007](#) [641938-9](#) [641991-4](#) [644827-2](#) [65817-](#)  
[010LF](#) [65817-015LF](#) [65863-015LF](#) [66207-023LF](#) [67095-007LF](#) [67601157](#) [68645-018](#) [68648-049](#) [70.362.1628.0](#) [70-4210](#) [70-4226B](#) [70-](#)  
[4853B](#) [707-5020](#) [707-5028](#) [71.350.2428.0](#) [71918-208LF](#) [71961-016LF](#) [733-134](#) [733-162](#) [754199-000](#) [760-3052](#) [787-8014-00](#) [79531-3000](#)  
[FCN-360C032-B](#) [FCN-367T-T012/H](#) [FCN-723D010/2](#) [80.063.4001.1](#) [800-90-001-10-001000](#) [800-90-010-10-002000](#) [801-43-002-10-013000](#)