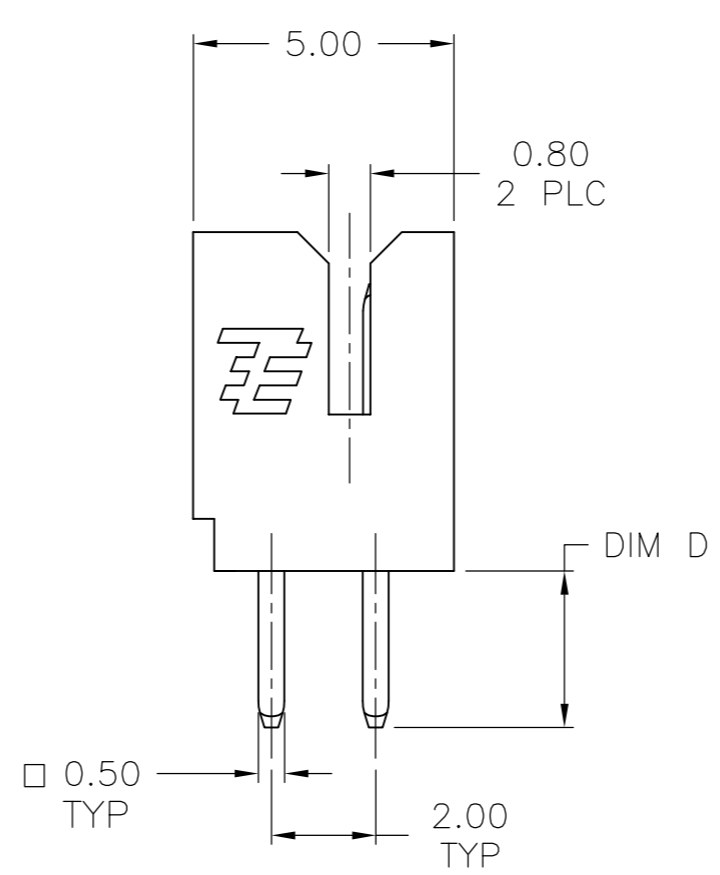
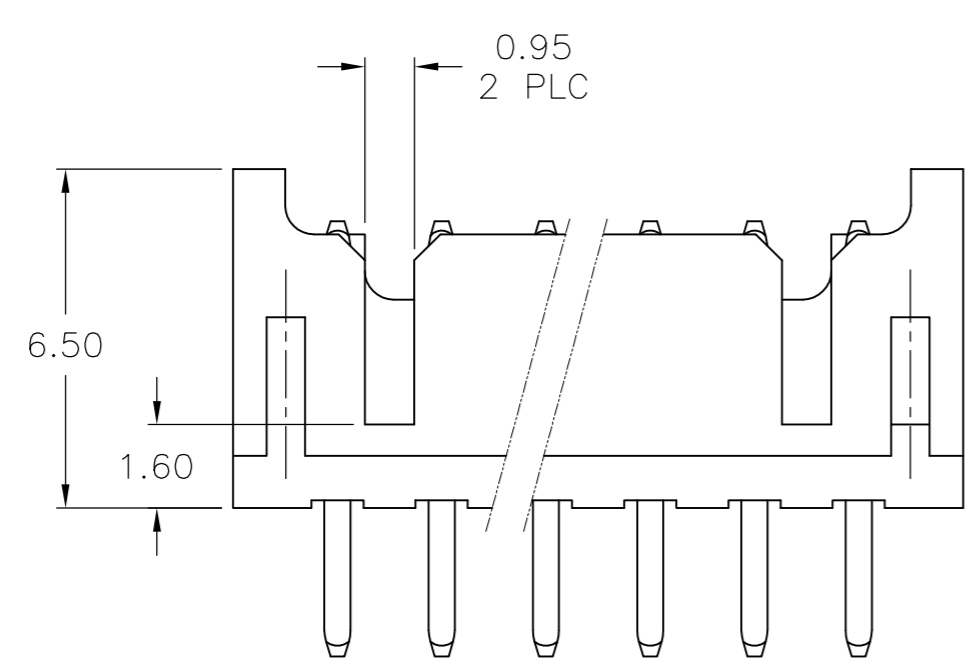
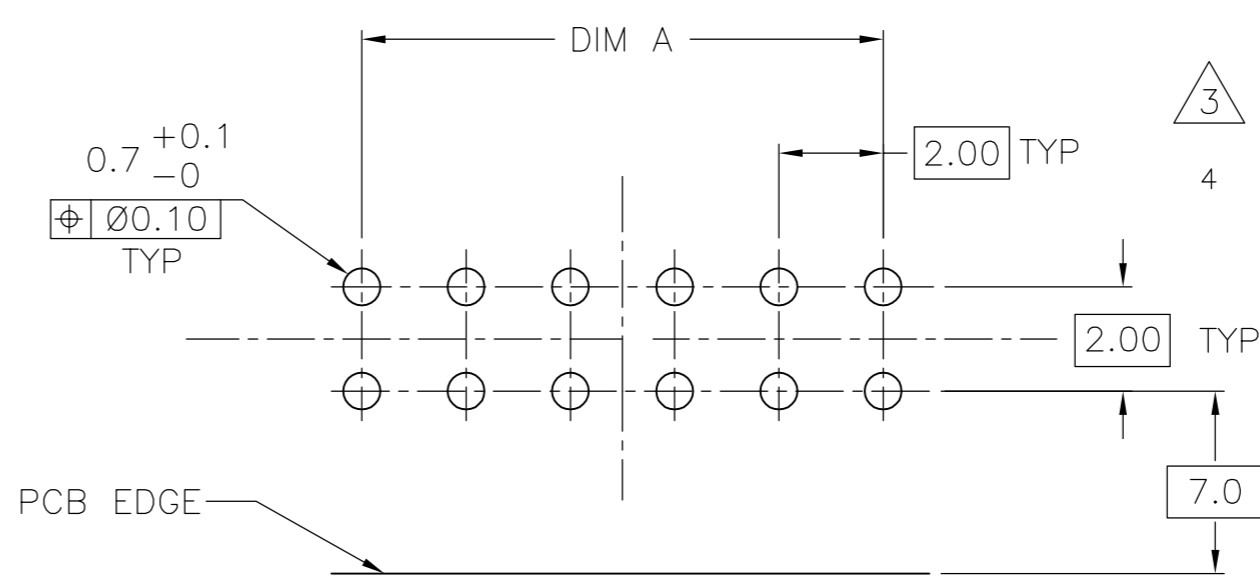
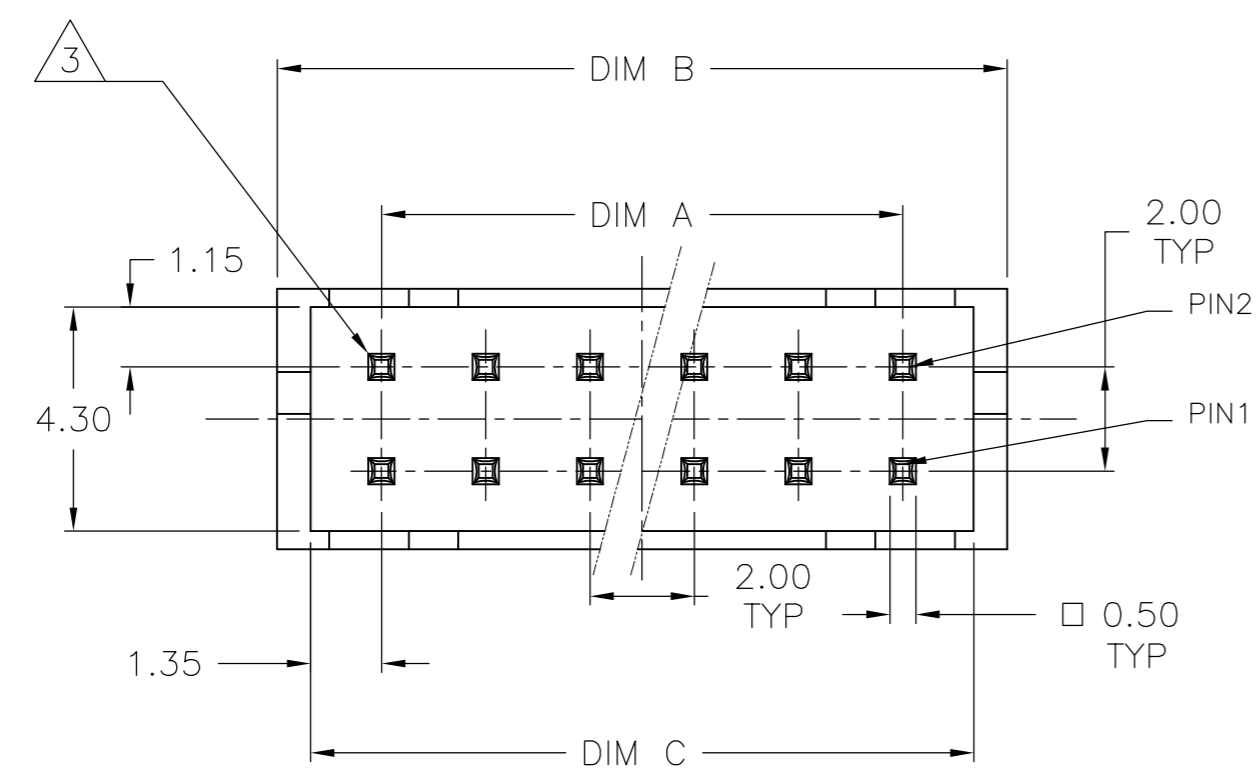


THIS DRAWING IS UNPUBLISHED. RELEASED FOR PUBLICATION  
 © COPYRIGHT - By - ALL RIGHTS RESERVED.

REVISIONS					
P	LTR	DESCRIPTION	DATE	DWN	APVD
E2		REVISED PER ECO-15-013423	24SEP2015	NK	JO

- MATERIAL:  
HOUSING: NYLON66 UL94V-0, NATURAL COLOR.  
CONTACT: BRASS, THICKNESS=0.20MM
- FINISH:  
CONTACT: 100μ" MIN. BRIGHT TIN PLATED ON CONTACT AREA  
30μ" MIN. NICKEL UNDERPLATED OVER ALL.
- NO PIN AT THIS POSITION.
- WAVE SOLDER CAPABLE TO 240°C PER TE CONNECTIVITY TEST SPEC. 109-202, CONDITION A.



DIM D	3 OMITTED PIN	DIM C	DIM B	DIM A	POS.	PART NO.
3.00	PIN 3&4	6.74	8.0	4.0	6	9-1470109-6
2.40		30.74	32.0	28.0	30	8-▲ -0
	PIN 32	32.74	34.0	30.0	32	7- -2
	PIN 30	30.74	32.0	28.0	30	7- -0
	PIN 28	28.74	30.0	26.0	28	6- -8
	PIN 26	26.74	28.0	24.0	26	6- -6
	PIN 24	24.74	26.0	22.0	24	6- -4
	PIN 22	22.74	24.0	20.0	22	6- -2
	PIN 20	20.74	22.0	18.0	20	6- -0
	PIN 18	18.74	20.0	16.0	18	5- -8
	PIN 16	16.74	18.0	14.0	16	5- -6
	PIN 14	14.74	16.0	12.0	14	5- -4
	PIN 12	12.74	14.0	10.0	12	5- -2
	PIN 10	10.74	12.0	8.0	10	5- -0
	PIN 8	8.74	10.0	6.0	8	4- -8
	PIN 6	6.74	8.0	4.0	6	4- -6
		32.74	34.0	30.0	32	3- -2
		30.74	32.0	28.0	30	3- -0
		28.74	30.0	26.0	28	2- -8
		26.74	28.0	24.0	26	2- -6
		24.74	26.0	22.0	24	2- -4
		22.74	24.0	20.0	22	2- -2
		20.74	22.0	18.0	20	2- -0
		18.74	20.0	16.0	18	1- -8
		16.74	18.0	14.0	16	1- -6
		14.74	16.0	12.0	14	1- -4
		12.74	14.0	10.0	12	1- -2
		10.74	12.0	8.0	10	1- -0
		8.74	10.0	6.0	8	- -8
		6.74	8.0	4.0	6	1470109-6

THIS DRAWING IS A CONTROLLED DOCUMENT.

DWN: O. HU 27JUN2007  
 CHK: S. HOU 27JUN2007  
 APVD: W.J. KE 27JUN2007

TE Connectivity

NAME: 2.0MM PITCH HEADER, DIP, VERTICAL TYPE

PRODUCT SPEC: 108-57217

APPLICATION SPEC: -

WEIGHT: -

SIZE: A2 CAGE CODE: 00779 DRAWING NO: 1470109

RESTRICTED TO: -

CUSTOMER DRAWING SCALE: 7:1 SHEET: 1 of 2 REV: E2

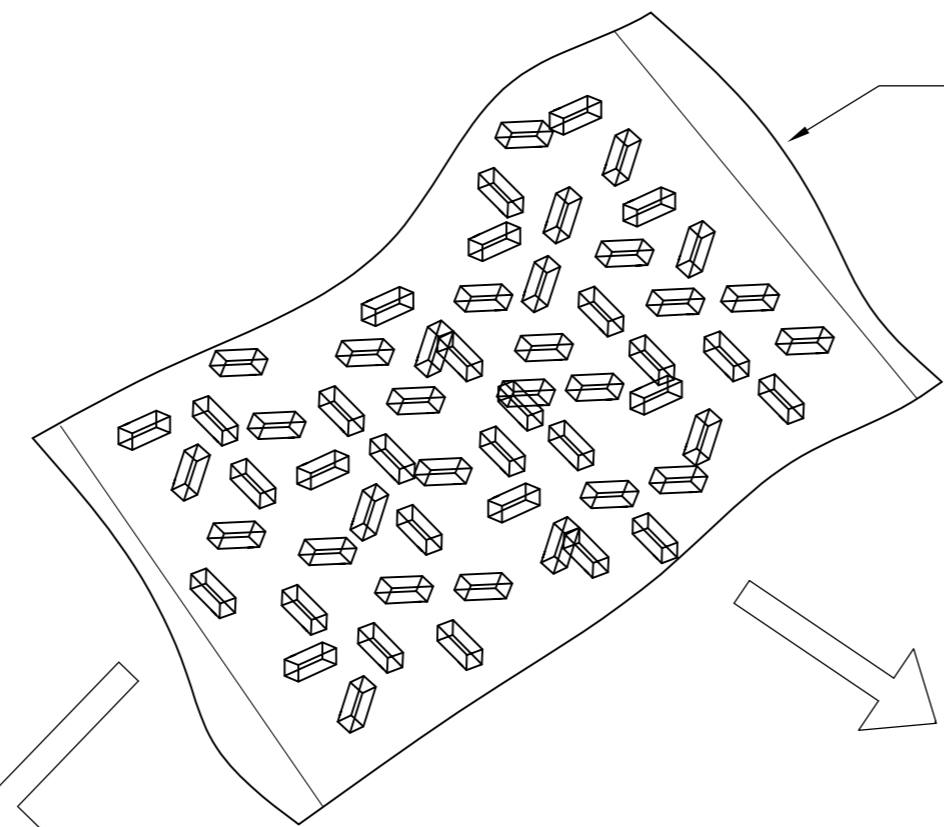
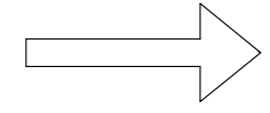
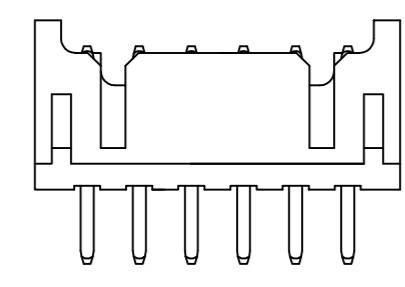
QUALIFICATION TEST REPORT  
501-57218

THIS DRAWING IS UNPUBLISHED.  
 RELEASED FOR PUBLICATION  
 ALL RIGHTS RESERVED.

REVISIONS					
P	LTR	DESCRIPTION	DATE	DWN	APVD
-	-	SEE SHEET 1	-	-	-

D

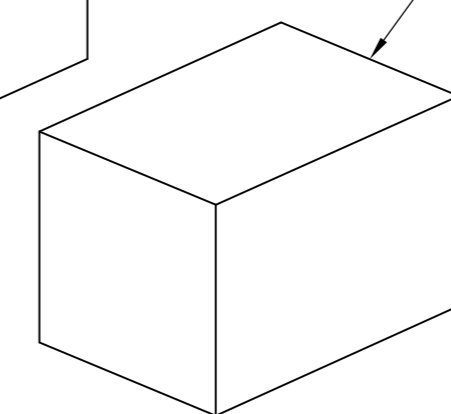
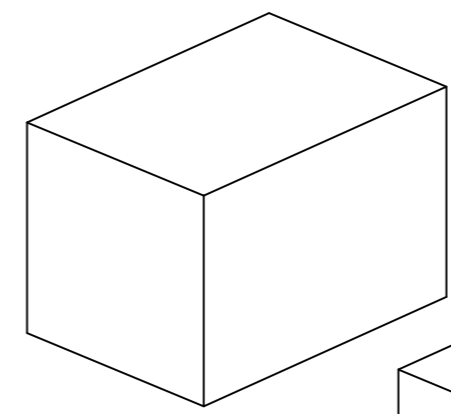
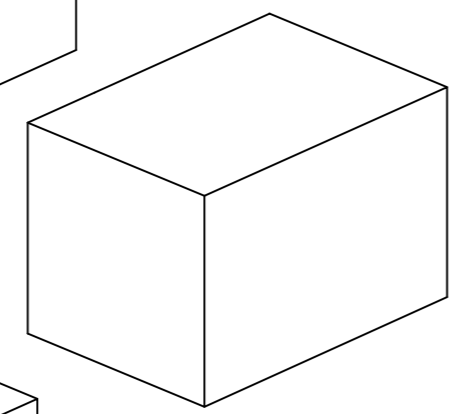
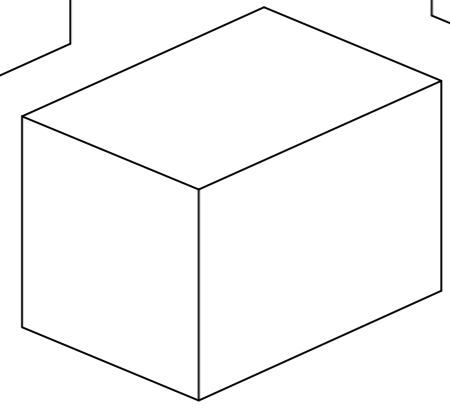
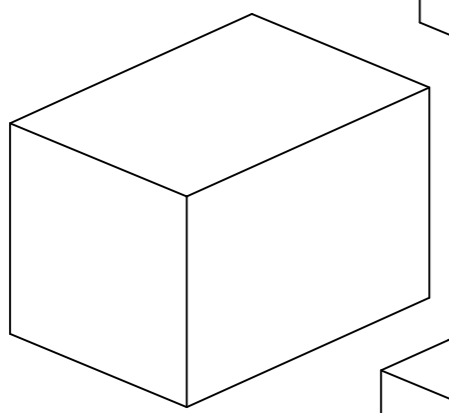
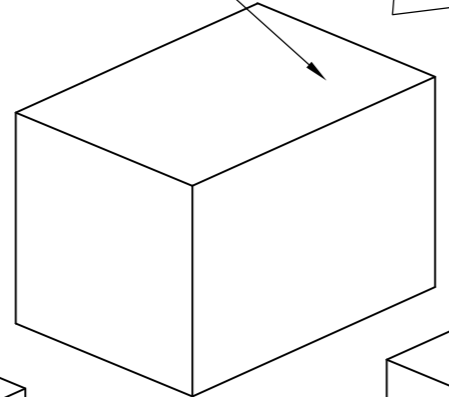
D



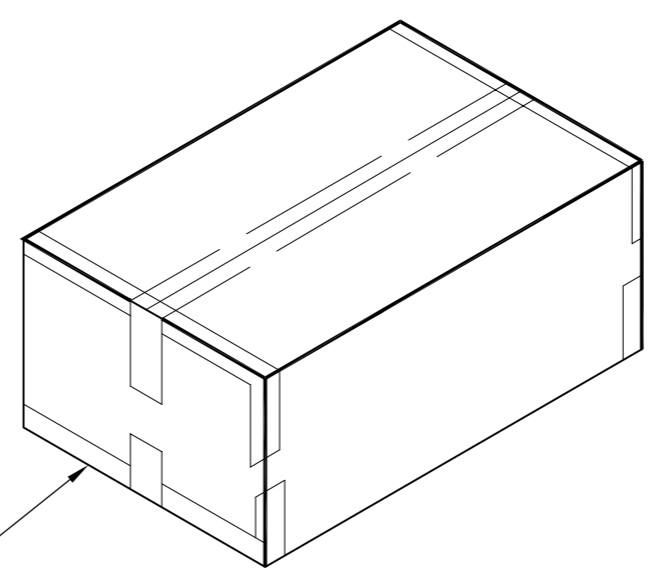
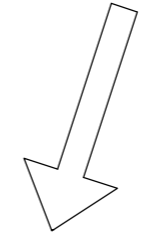
POLY BAG  
 127mm(L)X 203mm(W)X0.07mm(H)



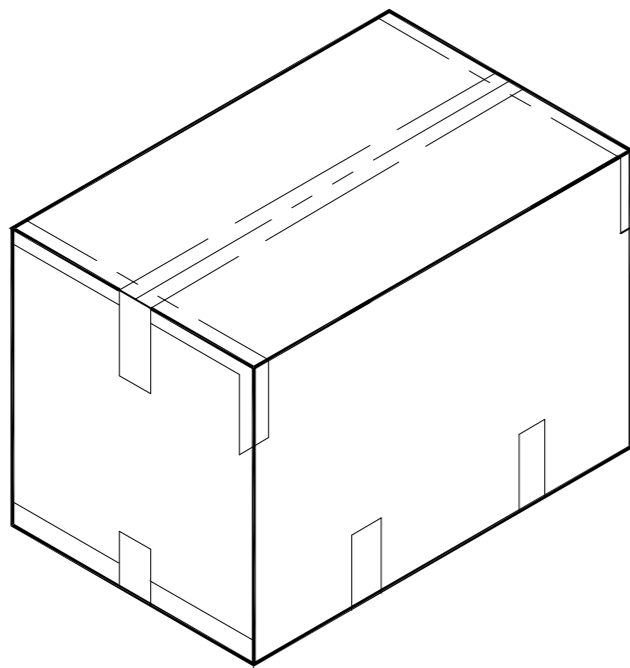
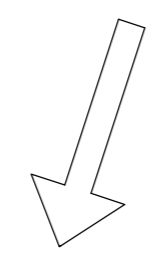
INEER BOX 320mm(L)X220mm  
 (W)X155mm(H)



INEER BOX  
 320mm(L)X220mm(W)X155mm(H)



CARTON  
 340mm(L)X470mm(W)X178mm(H)  
 (FOR HEADER 6P~10P ONLY)



CARTON  
 340mm(L)X470mm(W)X365mm(H)  
 (FOR HEADER 12P~32P ONLY)

23,400	650		9-1470109-6
10,240	160		8-1470109-0
10,240	160	7-1470109-2	3-1470109-2
10,240	160	7-1470109-0	3-1470109-0
10,240	160	6-1470109-8	2-1470109-8
14,400	200	6-1470109-6	2-1470109-6
14,400	200	6-1470109-4	2-1470109-4
14,400	200	6-1470109-2	2-1470109-2
16,000	250	6-1470109-0	2-1470109-0
19,200	300	5-1470109-8	1-1470109-8
19,200	300	5-1470109-6	1-1470109-6
22,400	350	5-1470109-4	1-1470109-4
25,600	400	5-1470109-2	1-1470109-2
14,400	450	5-1470109-0	1-1470109-0
17,600	550	4-1470109-8	1470109-8
23,400	650	4-1470109-6	1470109-6
APQ (POS/CARTON)	PPQ (POS/BAG)		PART NO.

1470109

B

B

A

A

THIS DRAWING IS A CONTROLLED DOCUMENT.

DWN	O. HU	27JUN2007	 TE Connectivity	NAME 2.0MM PITCH HEADER, DIP, VERTICAL TYPE
CHK	S. HOU	27JUN2007		
APVD	W.J. KE	27JUN2007		
DIMENSIONS:			PRODUCT SPEC	SIZE
mm			APPLICATION SPEC	CAGE CODE
TOLERANCES UNLESS OTHERWISE SPECIFIED:			FINISH	DRAWING NO
0 PLC	±	-	WEIGHT	RESTRICTED TO
1 PLC	±	-	CUSTOMER DRAWING	SCALE
2 PLC	±	-		SHEET
3 PLC	±	-		REV
4 PLC	±	-		
ANGLES	±	-		

## X-ON Electronics

Largest Supplier of Electrical and Electronic Components

*Click to view similar products for [Board to Board & Mezzanine Connectors](#) category:*

*Click to view products by [TE Connectivity](#) manufacturer:*

Other Similar products are found below :

[589158040000018](#) [MDF7C-18P-2.54DSA\(55\)](#) [FCN-230C068-11](#) [FCN-268F012-G/BD](#) [FCN-268F036-G/BD](#) [FCN-268M012-G/0D](#) [FCN-268M024-G/1D](#) [FCN-723J004/1](#) [MIS-048-01-F-D-DP-K](#) [832-10-034-10-001000](#) [FX4C-80S-1.27DSA](#) [FCN-214Q030-G/0](#) [FCN-234P048-G/0](#) [FCN-235D050-G/C](#) [210-93-314-41-105000](#) [2-22603-0](#) [MDF7-40DP-2.54DSA\(55\)](#) [AXG720047](#) [5031084030](#) [MIT-114-03-F-D-K](#) [55323-1519](#) [DF33-2P-3.3DSA\(24\)](#) [YFT-20-05-H-03-SB-K](#) [503308-3040](#) [026-6203-PDB](#) [027-6203-PDB](#) [069159702701000](#) [10123981-102LF](#) [101A10019X](#) [55650-0588-C](#) [68684-306](#) [75140-7012](#) [194261-1](#) [FCN-268F024-G0D](#) [10124054-515LF](#) [68685-603](#) [8-1616154-3](#) [MIS-019-01-F-D](#) [541371078](#) [IL-WX-10PB-HF-B-E1000E](#) [FCN-268M024-G/3D](#) [20021832-06016C1LF](#) [KX15-20KLDL-E1000E](#) [MDF7-16DP-2.54DSA\(55\)](#) [AXE810124](#) [FCN-214J100-G/0](#) [FCN-230C068-E/S](#) [AXE812124](#) [AXE816124](#) [AXE720127](#)