

THIS DRAWING IS UNPUBLISHED.

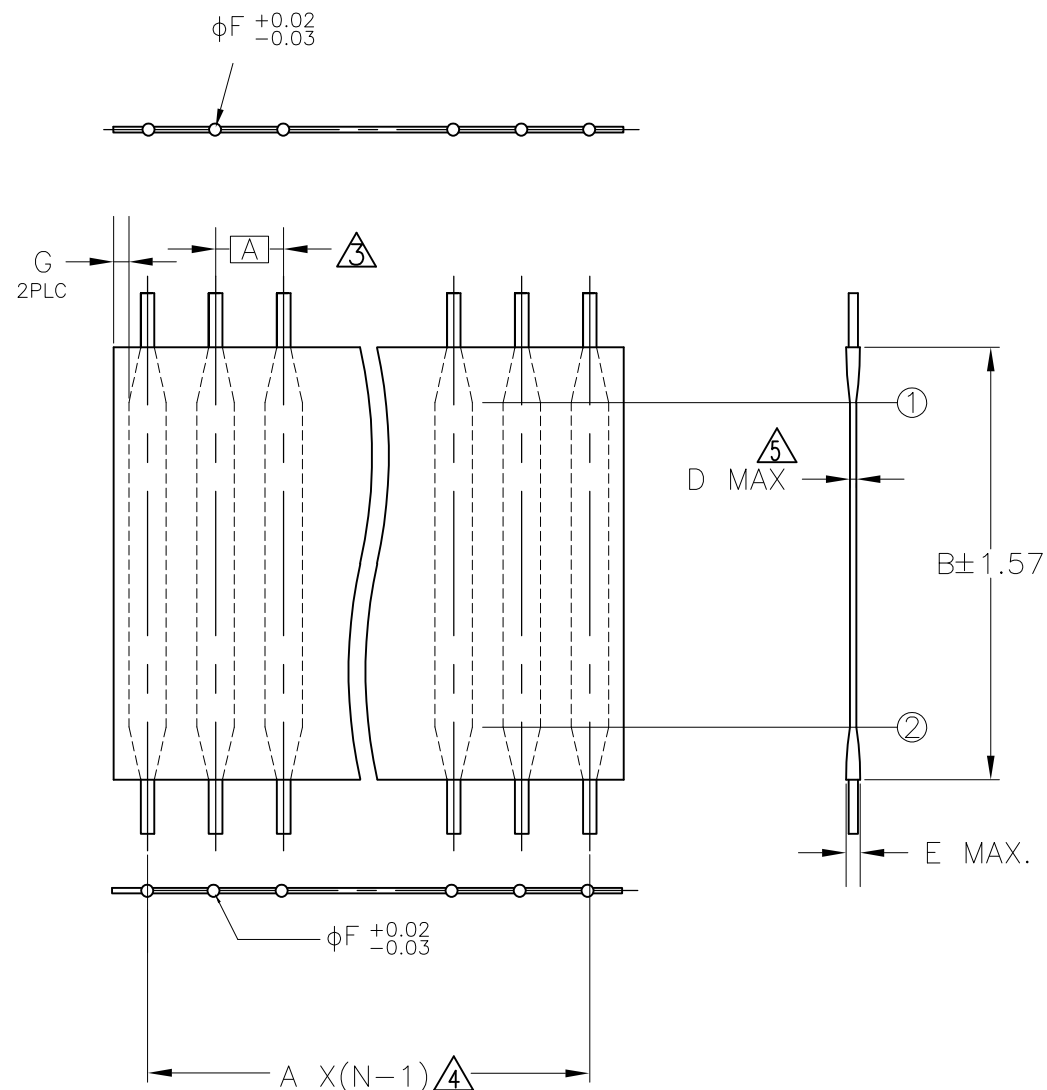
RELEASED FOR PUBLICATION

REVISIONS

© COPYRIGHT - By -

ALL RIGHTS RESERVED.

P	LTR	DESCRIPTION	DATE	DWN	APVD
	A6	REVISED	23AUG2016	H.M	N.Y



1 プリント基板スルーホール径： $\phi 0.94 \pm 0.025$ また、スルーホールピッチ公差は ± 0.127 である（参考）

2 本仕様から逸脱する場合は、必ず仕様打合わせを行うこと。

3 リード位置寸法は、リード根元寸法とする。

4 公差は以下の表を参照。

PITCH	2~30PINS	31~50PINS
2.30~5.08	± 0.35	± 0.40
1.78~2.00	± 0.30	± 0.35
0.80~1.50	± 0.30	± 0.35

5 D寸法は、①~②間のワイヤー部の厚さを指す。

1 RECOMMENDED THROUGH HOLE DIA. FOR P.C.BOARD : $\phi 0.94 \pm 0.025$
THROUGH HOLE PITCH TOLERANCE : ± 0.127

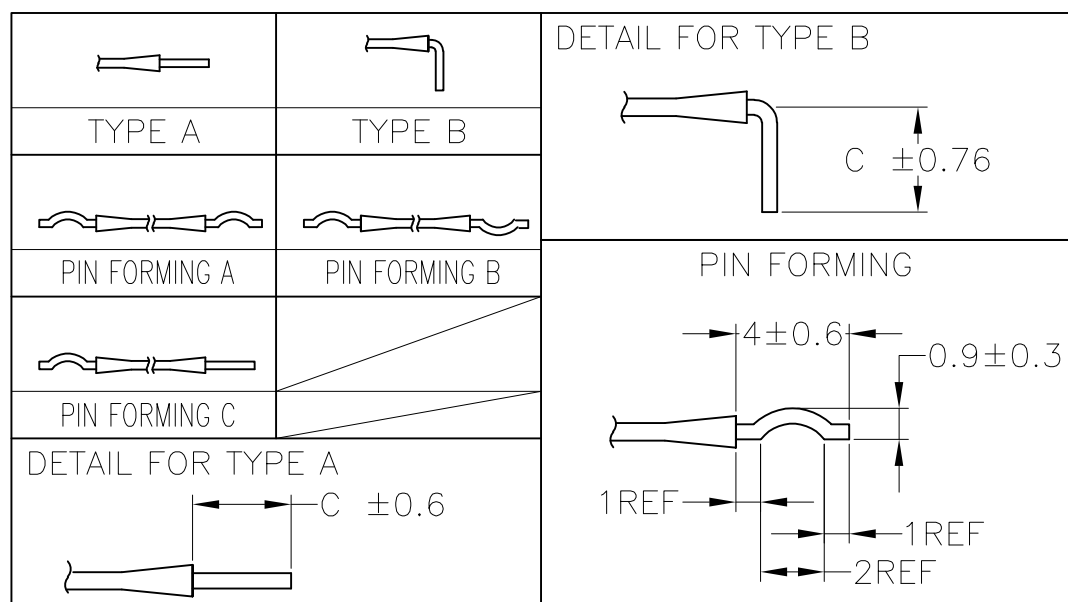
2 THE SPECIFICATION NEEDS TO BE DISCUSSED WHEN ANY OTHER CHANGE HAPPENED.

3 LEAD'S POSITIONAL DIMENSION IS MEASURED AT THE EDGE OF PAPER.

4 TOLERANCE CHART

PITCH	2~30PINS	31~50PINS
2.30~5.08	± 0.35	± 0.40
1.78~2.00	± 0.30	± 0.35
0.80~1.50	± 0.30	± 0.35

5 DIMENSION D INDICATES WIRE THICKNESS BETWEEN ① AND ②



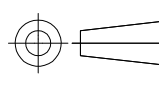
THIS DRAWING IS A CONTROLLED DOCUMENT.		DWN H.OSABE 14JAN2014	TE Connectivity	
		CHK M.HARASAWA 14JAN2014		
		APVD N.YAMASAKI 14JAN2014	NAME FLEXSTRIP JUMPER	
DIMENSIONS: mm		PRODUCT SPEC 108-78002	SIZE CAGE CODE DRAWING NO RESTRICTED TO	
		APPLICATION SPEC	A3 00779 C-1447169	
MATERIAL		WEIGHT 0	SCALE NTS SHEET 1 OF 9 REV A6	
		CUSTOMER DRAWING		

FS1.27N, FS1.78N SERIES

P/N	Description	Pitch (A)	Tape Length (B)	Pin Length (C)	Tape Thickness (D)	Tape Thickness (E)	Pin Diameter (F)	Margin (G)	POS
1-1447169-5	FS1.27N16A11=JUMPER NOMEX	1.27	16.0	3.18	0.35MAX	0.84MAX	φ0.32	0.25MIN	11
2-1447169-8	FS1.27N33A30=JUMPER NOMEX	1.27	33.0	3.18	0.35MAX	0.84MAX	φ0.32	0.25MIN	30
7-1447169-8	FS1.78N25.4A30=JUMPER NOMEX	1.78	25.4	3.18	0.35MAX	0.84MAX	φ0.40	0.25MIN	30
8-1447169-9	FS1.78N38.1A40=JUMPER NOMEX	1.78	38.1	3.18	0.35MAX	0.84MAX	φ0.40	0.25MIN	40
1447170-7	FS1.78N63.5A40=JUMPER NOMEX	1.78	63.5	3.18	0.35MAX	0.84MAX	φ0.40	0.25MIN	40
1447170-8	FS1.78N63.5A5=JUMPER NOMEX	1.78	63.5	3.18	0.35MAX	0.84MAX	φ0.40	0.25MIN	5
1-1447170-4	FS1.78N76.2A30=JUMPER NOMEX	1.78	76.2	3.18	0.35MAX	0.84MAX	φ0.40	0.25MIN	30

THIS DRAWING IS UNPUBLISHED. RELEASED FOR PUBLICATION
 © COPYRIGHT - By - ALL RIGHTS RESERVED.

REVISIONS				
P	LTR	DESCRIPTION	DATE	APVD
-	-	SEE SHEET 1	-	-

THIS DRAWING IS A CONTROLLED DOCUMENT.		DWN	-		
DIMENSIONS: mm		CHK	-		
TOLERANCES UNLESS OTHERWISE SPECIFIED:		APVD	-		
		SEE SHEET 1			
MATERIAL		PRODUCT SPEC	-		
FINISH		APPLICATION SPEC	-		
		WEIGHT	0		
		SIZE	CAGE CODE	DRAWING NO	RESTRICTED TO
		A3	00779	C-1447169	-
CUSTOMER DRAWING		SCALE	SHEET	REV	
		NTS	2 of 9	A6	



FLEXSTRIP JUMPER

108-78002

THIS DRAWING IS UNPUBLISHED.

RELEASED FOR PUBLICATION

ALL RIGHTS RESERVED.

© COPYRIGHT - By -

REVISIONS

P	LTR	DESCRIPTION	DATE	DWN	APVD
-	-	SEE SHEET 1	-	-	-

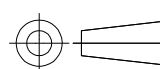
FS2.54N SERIES

P/N	Description	Pitch (A)	Tape Length (B)	Pin Length (C)	Tape Thickness (D)	Tape Thickness (E)	Pin Diameter (F)	Margin (G)	POS
9-1447170-8	FS2.54N15A18 =JUMPER NOMEX	2.54	15.0	3.18	0.35MAX	0.84MAX	φ0.51	0.25MIN	18
1447171-3	FS2.54N15A5 =JUMPER NOMEX	2.54	15.0	3.18	0.35MAX	0.84MAX	φ0.51	0.25MIN	5
1447171-5	FS2.54N15A8 =JUMPER NOMEX	2.54	15.0	3.18	0.35MAX	0.84MAX	φ0.51	0.25MIN	8
1447171-6	FS2.54N16A10 =JUMPER NOMEX	2.54	16.0	3.18	0.35MAX	0.84MAX	φ0.51	0.25MIN	10
2-1447171-0	FS2.54N17A8 =JUMPER NOMEX	2.54	17.0	3.18	0.35MAX	0.84MAX	φ0.51	0.25MIN	8
2-1447171-6	FS2.54N18A4 =JUMPER NOMEX	2.54	18.0	3.18	0.35MAX	0.84MAX	φ0.51	0.25MIN	4
3-1447171-5	FS2.54N20A20 =JUMPER NOMEX	2.54	20.0	3.18	0.35MAX	0.84MAX	φ0.51	0.25MIN	20
4-1447171-1	FS2.54N21A12 =JUMPER NOMEX	2.54	21.0	3.18	0.35MAX	0.84MAX	φ0.51	0.25MIN	12
4-1447171-9	FS2.54N30A10 =JUMPER NOMEX	2.54	30.0	3.18	0.35MAX	0.84MAX	φ0.51	0.25MIN	10
5-1447171-8	FS2.54N30A15 =JUMPER NOMEX	2.54	30.0	3.18	0.35MAX	0.84MAX	φ0.51	0.25MIN	15
6-1447171-2	FS2.54N30A17 =JUMPER NOMEX	2.54	30.0	3.18	0.35MAX	0.84MAX	φ0.51	0.25MIN	17
6-1447171-3	FS2.54N30A18 =JUMPER NOMEX	2.54	30.0	3.18	0.35MAX	0.84MAX	φ0.51	0.25MIN	18
6-1447171-6	FS2.54N30A20 =JUMPER NOMEX	2.54	30.0	3.18	0.35MAX	0.84MAX	φ0.51	0.25MIN	20
8-1447171-3	FS2.54N30A1 =JUMPER NOMEX	2.54	30.0	3.18	0.35MAX	0.84MAX	φ0.51	0.25MIN	4
8-1447171-5	FS2.54N30A7 =JUMPER NOMEX	2.54	30.0	3.18	0.35MAX	0.84MAX	φ0.51	0.25MIN	7
8-1447171-8	FS2.54N30A9 =JUMPER NOMEX	2.54	30.0	3.18	0.35MAX	0.84MAX	φ0.51	0.25MIN	9
9-1447171-0	FS2.54N33A10 =JUMPER NOMEX	2.54	33.0	3.18	0.35MAX	0.84MAX	φ0.51	0.25MIN	10
9-1447171-3	FS2.54N35A13 =JUMPER NOMEX	2.54	35.0	3.18	0.35MAX	0.84MAX	φ0.51	0.25MIN	13
9-1447171-8	FS2.54N35A19 =JUMPER NOMEX	2.54	35.0	3.18	0.35MAX	0.84MAX	φ0.51	0.25MIN	19
2-1447172-0	FS2.54N40A22P39 =JUMPER NOMEX	2.54	40.0	3.90	0.35MAX	0.84MAX	φ0.51	0.25MIN	22
2-1447172-9	FS2.54N40A28 =JUMPER NOMEX	2.54	40.0	3.18	0.35MAX	0.84MAX	φ0.51	0.25MIN	28
3-1447172-5	FS2.54N40A6 =JUMPER NOMEX	2.54	40.0	3.18	0.35MAX	0.84MAX	φ0.51	0.25MIN	6
3-1447172-7	FS2.54N40A8 =JUMPER NOMEX	2.54	40.0	3.18	0.35MAX	0.84MAX	φ0.51	0.25MIN	8
1473635-1	FS2.54N42A20 =JUMPER NOMEX	2.54	42.0	3.18	0.35MAX	0.84MAX	φ0.51	0.25MIN	20
1717056-4	FS2.54N55A15 =JUMPER NOMEX	2.54	55.0	3.18	0.35MAX	0.84MAX	φ0.51	0.25MIN	15
5-1447172-2	FS2.54N55A18 =JUMPER NOMEX	2.54	55.0	3.18	0.35MAX	0.84MAX	φ0.51	0.25MIN	18
5-1447172-6	FS2.54N55A30 =JUMPER NOMEX	2.54	55.0	3.18	0.35MAX	0.84MAX	φ0.51	0.25MIN	30
1717056-3	FS2.54N55A5 =JUMPER NOMEX	2.54	55.0	3.18	0.35MAX	0.84MAX	φ0.51	0.25MIN	5
5-1447172-9	FS2.54N68A22 =JUMPER NOMEX	2.54	58.0	3.18/4.5	0.35MAX	0.84MAX	φ0.51	0.25MIN	22
6-1447172-3	FS2.54N70A17PA =JUMPER (PA4.0)	2.54	70.0	4.00	0.35MAX	0.84MAX	φ0.51	0.25MIN	17

THIS DRAWING IS A CONTROLLED DOCUMENT.

DIMENSIONS:

mm



TOLERANCES UNLESS OTHERWISE SPECIFIED:

- 0 PLC ± -
- 1 PLC ± -
- 2 PLC ± -
- 3 PLC ± -
- 4 PLC ± -
- ANGLES ± -
- FINISH -

MATERIAL

DWN	-
CHK	-
APVD	-
PRODUCT SPEC	108-78002
APPLICATION SPEC	-
WEIGHT	0
CUSTOMER DRAWING	-

SEE SHEET 1



FLEXSTRIP JUMPER

NAME	SIZE	CAGE CODE	DRAWING NO	RESTRICTED TO
	A3	00779	C-1447169	-
SCALE	SHEET	REV		
NTS	3 of 9	A6		

THIS DRAWING IS UNPUBLISHED.

RELEASED FOR PUBLICATION

ALL RIGHTS RESERVED.

© COPYRIGHT - By -

REVISIONS

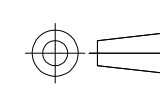
P	LTR	DESCRIPTION	DATE	DWN	APVD
-	-	SEE SHEET 1	-	-	-

FS2N SERIES NO.1

PIN	Description	Pitch (A)	Tape Length (B)	Pin Length (C)	Tape Thickness (D)	Tape Thickness (E)	Pin Diameter (F)	Margin (G)	POS
7-1447173-2	FS2N101.6A12PA =JUMPER NOMEX	2.00	101.6	4.00	0.35MAX	0.84MAX	ø 0.40	0.25MIN	12
7-1447173-9	FS2N101.6A16PA =JUMPER NOMEX	2.00	101.6	4.00	0.35MAX	0.84MAX	ø 0.40	0.25MIN	16
8-1447173-2	FS2N101.6A20 =JUMPER NOMEX	2.00	101.6	3.18	0.35MAX	0.84MAX	ø 0.40	0.25MIN	20
8-1447173-9	FS2N101.6A3 =JUMPER NOMEX	2.00	101.6	3.18	0.35MAX	0.84MAX	ø 0.40	0.25MIN	3
9-1447173-4	FS2N101.6A6 =JUMPER NOMEX	2.00	101.6	3.18	0.35MAX	0.84MAX	ø 0.40	0.25MIN	6
1-1447174-5	FS2N12.7A10 =JUMPER NOMEX	2.00	12.7	3.18	0.35MAX	0.84MAX	ø 0.40	0.25MIN	10
2-1447174-0	FS2N12.7A13 =JUMPER NOMEX	2.00	12.7	3.18	0.35MAX	0.84MAX	ø 0.40	0.25MIN	13
2-1447174-1	FS2N12.7A14 =JUMPER NOMEX	2.00	12.7	3.18	0.35MAX	0.84MAX	ø 0.40	0.25MIN	14
2-1447174-5	FS2N12.7A17 =JUMPER NOMEX	2.00	12.7	3.18	0.35MAX	0.84MAX	ø 0.40	0.25MIN	17
2-1447174-9	FS2N12.7A20 =JUMPER NOMEX	2.00	12.7	3.18	0.35MAX	0.84MAX	ø 0.40	0.25MIN	20
3-1447174-0	FS2N12.7A22 =JUMPER NOMEX	2.00	12.7	3.18	0.35MAX	0.84MAX	ø 0.40	0.25MIN	22
3-1447174-1	FS2N12.7A24 =JUMPER NOMEX	2.00	12.7	3.18	0.35MAX	0.84MAX	ø 0.40	0.25MIN	24
3-1447174-3	FS2N12.7A26 =JUMPER NOMEX	2.00	12.7	3.18	0.35MAX	0.84MAX	ø 0.40	0.25MIN	26
3-1447174-8	FS2N12.7A4 =JUMPER NOMEX	2.00	12.7	3.18	0.35MAX	0.84MAX	ø 0.40	0.25MIN	4
4-1447174-0	FS2N12.7A5 =JUMPER NOMEX	2.00	12.7	3.18	0.35MAX	0.84MAX	ø 0.40	0.25MIN	5
4-1447174-2	FS2N12.7A6 =JUMPER NOMEX	2.00	12.7	3.18	0.35MAX	0.84MAX	ø 0.40	0.25MIN	6
1437127-7	FS2N12.7A8 =JUMPER NOMEX	2.00	12.7	3.18	0.35MAX	0.84MAX	ø 0.40	0.25MIN	8
4-1447174-6	FS2N12.7A9 =JUMPER NOMEX	2.00	12.7	3.18	0.35MAX	0.84MAX	ø 0.40	0.25MIN	9
9-1447174-9	FS2N18A =JUMPER NOMEX	2.00	18.0	3.18	0.35MAX	0.84MAX	ø 0.40	0.25MIN	4
1447175-5	FS2N20A18 =JUMPER NOMEX	2.00	20.0	3.18	0.35MAX	0.84MAX	ø 0.40	0.25MIN	18
1447175-9	FS2N20A9 =JUMPER NOMEX	2.00	20.0	3.18	0.35MAX	0.84MAX	ø 0.40	0.25MIN	9
1-1447175-5	FS2N25.4A10 =JUMPER NOMEX	2.00	25.4	3.18	0.35MAX	0.84MAX	ø 0.40	0.25MIN	10
2-1447175-1	FS2N25.4A12 =JUMPER NOMEX	2.00	25.4	3.18	0.35MAX	0.84MAX	ø 0.40	0.25MIN	12
2-1447175-5	FS2N25.4A12PA =JUMPER (PA4.0)	2.00	25.4	4.00	0.35MAX	0.84MAX	ø 0.40	0.25MIN	12
2-1447175-6	FS2N25.4A13 =JUMPER NOMEX	2.00	25.4	3.18	0.35MAX	0.84MAX	ø 0.40	0.25MIN	13
3-1447175-2	FS2N25.4A14 =JUMPER NOMEX	2.00	25.4	3.18	0.35MAX	0.84MAX	ø 0.40	0.25MIN	14
3-1447175-7	FS2N25.4A16 =JUMPER NOMEX	2.00	25.4	3.18	0.35MAX	0.84MAX	ø 0.40	0.25MIN	16
4-1447175-0	FS2N25.4A17 =JUMPER NOMEX	2.00	25.4	3.18	0.35MAX	0.84MAX	ø 0.40	0.25MIN	17
4-1447175-3	FS2N25.4A19 =JUMPER NOMEX	2.00	25.4	3.18	0.35MAX	0.84MAX	ø 0.40	0.25MIN	19
4-1447175-4	FS2N25.4A2 =JUMPER NOMEX	2.00	25.4	3.18	0.35MAX	0.84MAX	ø 0.40	0.25MIN	2
4-1447175-6	FS2N25.4A20 =JUMPER NOMEX	2.00	25.4	3.18	0.35MAX	0.84MAX	ø 0.40	0.25MIN	20
4-1447175-9	FS2N25.4A21 =JUMPER NOMEX	2.00	25.4	3.18	0.35MAX	0.84MAX	ø 0.40	0.25MIN	21
5-1447175-0	FS2N25.4A22 =JUMPER NOMEX	2.00	25.4	3.18	0.35MAX	0.84MAX	ø 0.40	0.25MIN	22
5-1447175-2	FS2N25.4A23 =JUMPER NOMEX	2.00	25.4	3.18	0.35MAX	0.84MAX	ø 0.40	0.25MIN	23
5-1447175-4	FS2N25.4A25 =JUMPER NOMEX	2.00	25.4	3.18	0.35MAX	0.84MAX	ø 0.40	0.25MIN	25
5-1447175-6	FS2N25.4A26 =JUMPER NOMEX	2.00	25.4	3.18	0.35MAX	0.84MAX	ø 0.40	0.25MIN	26
5-1447175-1	FS2N25.4A3 =JUMPER NOMEX	2.00	25.4	3.18	0.35MAX	0.84MAX	ø 0.40	0.25MIN	3
6-1447175-4	FS2N25.4A30 =JUMPER NOMEX	2.00	25.4	3.18	0.35MAX	0.84MAX	ø 0.40	0.25MIN	30
6-1447175-5	FS2N25.4A32 =JUMPER NOMEX	2.00	25.4	3.18	0.35MAX	0.84MAX	ø 0.40	0.25MIN	32
6-1447175-9	FS2N25.4A4 =JUMPER NOMEX	2.00	25.4	3.18	0.35MAX	0.84MAX	ø 0.40	0.25MIN	4
7-1447175-1	FS2N25.4A5 =JUMPER NOMEX	2.00	25.4	3.18	0.35MAX	0.84MAX	ø 0.40	0.25MIN	5
7-1447175-3	FS2N25.4A59 =JUMPER NOMEX	2.00	25.4	3.18	0.35MAX	0.84MAX	ø 0.40	0.25MIN	59
7-1447175-4	FS2N25.4A6 =JUMPER NOMEX	2.00	25.4	3.18	0.35MAX	0.84MAX	ø 0.40	0.25MIN	6
7-1447175-6	FS2N25.4A7 =JUMPER NOMEX	2.00	25.4	3.18	0.35MAX	0.84MAX	ø 0.40	0.25MIN	7
8-1447175-0	FS2N25.4A8 =JUMPER NOMEX	2.00	25.4	3.18	0.35MAX	0.84MAX	ø 0.40	0.25MIN	8
8-1447175-4	FS2N25.4A9 =JUMPER NOMEX	2.00	25.4	3.18	0.35MAX	0.84MAX	ø 0.40	0.25MIN	9
1437127-9	FS2N29A20 =JUMPER NOMEX	2.00	28.0	3.18	0.35MAX	0.84MAX	ø 0.40	0.25MIN	20
1447176-6	FS2N30A25 =JUMPER NOMEX	2.00	30.0	3.18	0.35MAX	0.84MAX	ø 0.40	0.25MIN	25
1-1447176-2	FS2N32A15 =JUMPER NOMEX	2.00	32.0	3.18	0.35MAX	0.84MAX	ø 0.40	0.25MIN	15
2-1447176-1	FS2N35A7 =JUMPER NOMEX	2.00	35.0	3.18	0.35MAX	0.84MAX	ø 0.40	0.25MIN	7
1437127-9	FS2N36A20 =JUMPER NOMEX	2.00	36.0	3.18	0.35MAX	0.84MAX	ø 0.40	0.25MIN	20
2-1447176-4	FS2N38.1A10 =JUMPER NOMEX	2.00	38.1	3.18	0.35MAX	0.84MAX	ø 0.40	0.25MIN	10
2-1447176-6	FS2N38.1A11 =JUMPER NOMEX	2.00	38.1	3.18	0.35MAX	0.84MAX	ø 0.40	0.25MIN	11
2-1447176-7	FS2N38.1A12 =JUMPER NOMEX	2.00	38.1	3.18	0.35MAX	0.84MAX	ø 0.40	0.25MIN	12
3-1447176-1	FS2N38.1A13 =JUMPER NOMEX	2.00	38.1	3.18	0.35MAX	0.84MAX	ø 0.40	0.25MIN	13
3-1447176-6	FS2N38.1A14 =JUMPER NOMEX	2.00	38.1	3.18	0.35MAX	0.84MAX	ø 0.40	0.25MIN	14
4-1447176-0	FS2N38.1A15 =JUMPER NOMEX	2.00	38.1	3.18	0.35MAX	0.84MAX	ø 0.40	0.25MIN	15
4-1447176-7	FS2N38.1A16 =JUMPER NOMEX	2.00	38.1	3.18	0.35MAX	0.84MAX	ø 0.40	0.25MIN	16
5-1447176-2	FS2N38.1A17 =JUMPER NOMEX	2.00	38.1	3.18	0.35MAX	0.84MAX	ø 0.40	0.25MIN	17
5-1447176-3	FS2N38.1A18 =JUMPER NOMEX	2.00	38.1	3.18	0.35MAX	0.84MAX	ø 0.40	0.25MIN	18
5-1447176-5	FS2N38.1A19 =JUMPER NOMEX	2.00	38.1	3.18	0.35MAX	0.84MAX	ø 0.40	0.25MIN	19
5-1447176-7	FS2N38.1A2 =JUMPER NOMEX	2.00	38.1	3.18	0.35MAX	0.84MAX	ø 0.40	0.25MIN	2
5-1447176-8	FS2N38.1A20 =JUMPER NOMEX	2.00	38.1	3.18	0.35MAX	0.84MAX	ø 0.40	0.25MIN	20
5-1447176-9	FS2N38.1A21 =JUMPER NOMEX	2.00	38.1	3.18	0.35MAX	0.84MAX	ø 0.40	0.25MIN	21
6-1447176-1	FS2N38.1A22 =JUMPER NOMEX	2.00	38.1	3.18	0.35MAX	0.84MAX	ø 0.40	0.25MIN	22
6-1447176-3	FS2N38.1A23 =JUMPER NOMEX	2.00	38.1	3.18	0.35MAX	0.84MAX	ø 0.40	0.25MIN	23
6-1447176-4	FS2N38.1A24 =JUMPER NOMEX	2.00	38.1	3.18	0.35MAX	0.84MAX	ø 0.40	0.25MIN	24
6-1447176-6	FS2N38.1A25 =JUMPER NOMEX	2.00	38.1	3.18	0.35MAX	0.84MAX	ø 0.40	0.25MIN	25
6-1447176-8	FS2N38.1A26 =JUMPER NOMEX	2.00	38.1	3.18	0.35MAX	0.84MAX	ø 0.40	0.25MIN	26
7-1447176-5	FS2N38.1A29 =JUMPER NOMEX	2.00	38.1	3.18	0.35MAX	0.84MAX	ø 0.40	0.25MIN	29
7-1447176-6	FS2N38.1A3 =JUMPER NOMEX	2.00	38.1	3.18	0.35MAX	0.84MAX	ø 0.40	0.25MIN	3
7-1447176-9	FS2N38.1A31 =JUMPER NOMEX	2.00	38.1	3.18	0.35MAX	0.84MAX	ø 0.40	0.25MIN	31
8-1447176-4	FS2N38.1A4 =JUMPER NOMEX	2.00	38.1	3.18	0.35MAX	0.84MAX	ø 0.40	0.25MIN	4
8-1447176-7	FS2N38.1A5 =JUMPER NOMEX	2.00	38.1	3.18	0.35MAX	0.84MAX	ø 0.40	0.25MIN	5
9-1447176-2	FS2N38.1A6 =JUMPER NOMEX	2.00	38.1	3.18	0.35MAX	0.84MAX	ø 0.40	0.25MIN	6
9-1447176-4	FS2N38.1A7 =JUMPER NOMEX	2.00	38.1	3.18	0.35MAX	0.84MAX	ø 0.40	0.25MIN	7
9-1447176-5	FS2N38.1A8 =JUMPER NOMEX	2.00	38.1	3.18	0.35MAX	0.84MAX	ø 0.40	0.25MIN	8

THIS DRAWING IS A CONTROLLED DOCUMENT.

DIMENSIONS:
mm



TOLERANCES UNLESS OTHERWISE SPECIFIED:

- 0 PLC ± -
- 1 PLC ± -
- 2 PLC ± -
- 3 PLC ± -
- 4 PLC ± -
- ANGLES ± -

MATERIAL

FINISH

DWN	-
CHK	-
APVD	-
PRODUCT SPEC	108-78002
APPLICATION SPEC	-
WEIGHT	0

SEE SHEET 1



FLEXSTRIP JUMPER

NAME	SIZE	CAGE CODE	DRAWING NO	RESTRICTED TO
	A3	00779	C-1447169	-

CUSTOMER DRAWING

SCALE	SHEET	REV
NTS	4 of 9	A6

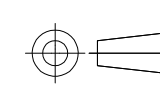
P	LTR	DESCRIPTION	DATE	DWN	APVD
-	-	SEE SHEET 1	-	-	-

FS2N SERIES NO.2

P/N	Description	Pitch (A)	Tape Length (B)	Pin Length (C)	Tape Thickness (D)	Tape Thickness (E)	Pin Diameter (F)	Margh (G)	POS
1447177-1	FS2N38.1A0 =JUMPER NOMEX	2.00	38.1	3.18	0.35MAX	0.84MAX	φ0.40	0.25MIN	9
1447177-7	FS2N38.1B12 =JUMPER NOMEX	2.00	38.1	3.18	0.35MAX	0.84MAX	φ0.40	0.25MIN	12
1-1447177-4	FS2N40A14 =JUMPER NOMEX	2.00	40.0	3.18	0.35MAX	0.84MAX	φ0.40	0.25MIN	14
2-1447177-2	FS2N42A11 =JUMPER NOMEX	2.00	42.0	3.18	0.35MAX	0.84MAX	φ0.40	0.25MIN	11
2-1447177-3	FS2N42A15 =JUMPER NOMEX	2.00	42.0	3.18	0.35MAX	0.84MAX	φ0.40	0.25MIN	15
2-1447177-5	FS2N42A9 =JUMPER NOMEX	2.00	42.0	3.18	0.35MAX	0.84MAX	φ0.40	0.25MIN	9
3-1447177-2	FS2N50.8A10 =JUMPER NOMEX	2.00	50.8	3.18	0.35MAX	0.84MAX	φ0.40	0.25MIN	10
3-1447177-5	FS2N50.8A11 =JUMPER NOMEX	2.00	50.8	3.18	0.35MAX	0.84MAX	φ0.40	0.25MIN	11
3-1447177-8	FS2N50.8A12 =JUMPER NOMEX	2.00	50.8	3.18	0.35MAX	0.84MAX	φ0.40	0.25MIN	12
4-1447177-1	FS2N50.8A13 =JUMPER NOMEX	2.00	50.8	3.18	0.35MAX	0.84MAX	φ0.40	0.25MIN	13
4-1447177-2	FS2N50.8A14 =JUMPER NOMEX	2.00	50.8	3.18	0.35MAX	0.84MAX	φ0.40	0.25MIN	14
4-1447177-4	FS2N50.8A15 =JUMPER NOMEX	2.00	50.8	3.18	0.35MAX	0.84MAX	φ0.40	0.25MIN	15
5-1447177-2	FS2N50.8A16 =JUMPER NOMEX	2.00	50.8	3.18	0.35MAX	0.84MAX	φ0.40	0.25MIN	16
5-1447177-5	FS2N50.8A17 =JUMPER NOMEX	2.00	50.8	3.18	0.35MAX	0.84MAX	φ0.40	0.25MIN	17
5-1447177-6	FS2N50.8A18 =JUMPER NOMEX	2.00	50.8	3.18	0.35MAX	0.84MAX	φ0.40	0.25MIN	18
5-1447177-8	FS2N50.8A19 =JUMPER NOMEX	2.00	50.8	3.18	0.35MAX	0.84MAX	φ0.40	0.25MIN	19
6-1447177-0	FS2N50.8A2 =JUMPER NOMEX	2.00	50.8	3.18	0.35MAX	0.84MAX	φ0.40	0.25MIN	2
6-1447177-3	FS2N50.8A20PA =JUMPER NOMEX	2.00	50.8	4.00	0.35MAX	0.84MAX	φ0.40	0.25MIN	20
6-1447177-4	FS2N50.8A21 =JUMPER NOMEX	2.00	50.8	3.18	0.35MAX	0.84MAX	φ0.40	0.25MIN	21
6-1447177-6	FS2N50.8A22 =JUMPER NOMEX	2.00	50.8	3.18	0.35MAX	0.84MAX	φ0.40	0.25MIN	22
6-1447177-8	FS2N50.8A23 =JUMPER NOMEX	2.00	50.8	3.18	0.35MAX	0.84MAX	φ0.40	0.25MIN	23
6-1447177-9	FS2N50.8A24 =JUMPER NOMEX	2.00	50.8	3.18	0.35MAX	0.84MAX	φ0.40	0.25MIN	24
7-1447177-1	FS2N50.8A25 =JUMPER NOMEX	2.00	50.8	3.18	0.35MAX	0.84MAX	φ0.40	0.25MIN	25
7-1447177-2	FS2N50.8A26 =JUMPER NOMEX	2.00	50.8	3.18	0.35MAX	0.84MAX	φ0.40	0.25MIN	26
7-1447177-5	FS2N50.8A3 =JUMPER NOMEX	2.00	50.8	3.18	0.35MAX	0.84MAX	φ0.40	0.25MIN	3
7-1447177-6	FS2N50.8A30 =JUMPER NOMEX	2.00	50.8	3.18	0.35MAX	0.84MAX	φ0.40	0.25MIN	30
7-1447177-9	FS2N50.8A33 =JUMPER NOMEX	2.00	50.8	3.18	0.35MAX	0.84MAX	φ0.40	0.25MIN	33
8-1447177-4	FS2N50.8A1 =JUMPER NOMEX	2.00	50.8	3.18	0.35MAX	0.84MAX	φ0.40	0.25MIN	4
8-1447177-5	FS2N50.8A40 =JUMPER NOMEX	2.00	50.8	3.18	0.35MAX	0.84MAX	φ0.40	0.25MIN	40
8-1447177-9	FS2N50.8A6 =JUMPER NOMEX	2.00	50.8	3.18	0.35MAX	0.84MAX	φ0.40	0.25MIN	6
9-1447177-1	FS2N50.8A7 =JUMPER NOMEX	2.00	50.8	3.18	0.35MAX	0.84MAX	φ0.40	0.25MIN	7
9-1447177-4	FS2N50.8A8 =JUMPER NOMEX	2.00	50.8	3.18	0.35MAX	0.84MAX	φ0.40	0.25MIN	8
9-1447177-6	FS2N50.8A9 =JUMPER NOMEX	2.00	50.8	3.18	0.35MAX	0.84MAX	φ0.40	0.25MIN	9
9-1447177-8	FS2N50.8A6 =JUMPER NOMEX	2.00	50.8	3.18	0.35MAX	0.84MAX	φ0.40	0.25MIN	6
1447178-8	FS2N63.5A12 =JUMPER NOMEX	2.00	63.5	3.18	0.35MAX	0.84MAX	φ0.40	0.25MIN	12
1447178-9	FS2N63.5A13 =JUMPER NOMEX	2.00	63.5	3.18	0.35MAX	0.84MAX	φ0.40	0.25MIN	13
1-1447178-1	FS2N63.5A15 =JUMPER NOMEX	2.00	63.5	3.18	0.35MAX	0.84MAX	φ0.40	0.25MIN	15
1-1447178-5	FS2N63.5A16PA =JUMPER (PA4.0)	2.00	63.5	4.00	0.35MAX	0.84MAX	φ0.40	0.25MIN	16
2-1447178-1	FS2N63.5A20 =JUMPER NOMEX	2.00	63.5	3.18	0.35MAX	0.84MAX	φ0.40	0.25MIN	20
2-1447178-3	FS2N63.5A21 =JUMPER NOMEX	2.00	63.5	3.18	0.35MAX	0.84MAX	φ0.40	0.25MIN	21
2-1447178-5	FS2N63.5A25 =JUMPER NOMEX	2.00	63.5	3.18	0.35MAX	0.84MAX	φ0.40	0.25MIN	25
2-1447178-8	FS2N63.5A28 =JUMPER NOMEX	2.00	63.5	3.18	0.35MAX	0.84MAX	φ0.40	0.25MIN	28
2-1447178-9	FS2N63.5A3 =JUMPER NOMEX	2.00	63.5	3.18	0.35MAX	0.84MAX	φ0.40	0.25MIN	3
3-1447178-0	FS2N63.5A30 =JUMPER NOMEX	2.00	63.5	3.18	0.35MAX	0.84MAX	φ0.40	0.25MIN	30
3-1447178-8	FS2N63.5A4 =JUMPER NOMEX	2.00	63.5	3.18	0.35MAX	0.84MAX	φ0.40	0.25MIN	4
3-1447178-9	FS2N63.5A5 =JUMPER NOMEX	2.00	63.5	3.18	0.35MAX	0.84MAX	φ0.40	0.25MIN	5
4-1447178-1	FS2N63.5A6 =JUMPER NOMEX	2.00	63.5	3.18	0.35MAX	0.84MAX	φ0.40	0.25MIN	6
4-1447178-3	FS2N63.5A8 =JUMPER NOMEX	2.00	63.5	3.18	0.35MAX	0.84MAX	φ0.40	0.25MIN	8
4-1447178-4	FS2N63.5A9 =JUMPER NOMEX	2.00	63.5	3.18	0.35MAX	0.84MAX	φ0.40	0.25MIN	9
5-1447178-0	FS2N72A25 =JUMPER NOMEX	2.00	72.0	3.18	0.35MAX	0.84MAX	φ0.40	0.25MIN	25
5-1447178-1	FS2N72A28 =JUMPER NOMEX	2.00	72.0	3.18	0.35MAX	0.84MAX	φ0.40	0.25MIN	28
5-1447178-2	FS2N72A32 =JUMPER NOMEX	2.00	72.0	3.18	0.35MAX	0.84MAX	φ0.40	0.25MIN	32
5-1447178-9	FS2N76.2A12 =JUMPER NOMEX	2.00	76.2	3.18	0.35MAX	0.84MAX	φ0.40	0.25MIN	12
6-1447178-2	FS2N76.2A14 =JUMPER NOMEX	2.00	76.2	3.18	0.35MAX	0.84MAX	φ0.40	0.25MIN	14
7-1447178-1	FS2N76.2A20 =JUMPER NOMEX	2.00	76.2	3.18	0.35MAX	0.84MAX	φ0.40	0.25MIN	20
7-1447178-2	FS2N76.2A20PA =JUMPER NOMEX	2.00	76.2	4.00	0.35MAX	0.84MAX	φ0.40	0.25MIN	20
7-1447178-4	FS2N76.2A26 =JUMPER NOMEX	2.00	76.2	3.18	0.35MAX	0.84MAX	φ0.40	0.25MIN	26
7-1447178-5	FS2N76.2A28 =JUMPER NOMEX	2.00	76.2	3.18	0.35MAX	0.84MAX	φ0.40	0.25MIN	28
8-1447178-1	FS2N76.2A4 =JUMPER NOMEX	2.00	76.2	3.18	0.35MAX	0.84MAX	φ0.40	0.25MIN	4
1376986-1	FS2N76.2A10 =JUMPER NOMEX	2.00	76.2	3.18	0.35MAX	0.84MAX	φ0.40	0.25MIN	40
8-1447178-4	FS2N76.2A5 =JUMPER NOMEX	2.00	76.2	3.18	0.35MAX	0.84MAX	φ0.40	0.25MIN	5
8-1447178-6	FS2N76.2A6 =JUMPER NOMEX	2.00	76.2	3.18	0.35MAX	0.84MAX	φ0.40	0.25MIN	6
8-1447178-7	FS2N76.2A7 =JUMPER NOMEX	2.00	76.2	3.18	0.35MAX	0.84MAX	φ0.40	0.25MIN	7
8-1447178-8	FS2N76.2A8 =JUMPER NOMEX	2.00	76.2	3.18	0.35MAX	0.84MAX	φ0.40	0.25MIN	8
9-1447178-5	FS2N80A28 =JUMPER NOMEX	2.00	80.0	3.18	0.35MAX	0.84MAX	φ0.40	0.25MIN	28
9-1447178-6	FS2N80A32 =JUMPER NOMEX	2.00	80.0	3.18	0.35MAX	0.84MAX	φ0.40	0.25MIN	32
1447179-2	FS2N88.9A10 =JUMPER NOMEX	2.00	88.9	3.18	0.35MAX	0.84MAX	φ0.40	0.25MIN	10
1447179-4	FS2N88.9A12 =JUMPER NOMEX	2.00	88.9	3.18	0.35MAX	0.84MAX	φ0.40	0.25MIN	12
1-1447179-6	FS2N88.9A20PA =JUMPER (PA4.0)	2.00	88.9	4.00	0.35MAX	0.84MAX	φ0.40	0.25MIN	20
2-1447179-6	FS2N88.9A6 =JUMPER NOMEX	2.00	88.9	3.18	0.35MAX	0.84MAX	φ0.40	0.25MIN	6
2-1447179-8	FS2N88.9A8 =JUMPER NOMEX	2.00	88.9	3.18	0.35MAX	0.84MAX	φ0.40	0.25MIN	8

THIS DRAWING IS A CONTROLLED DOCUMENT.

DIMENSIONS: mm



TOLERANCES UNLESS OTHERWISE SPECIFIED:

- 0 PLC ± -
- 1 PLC ± -
- 2 PLC ± -
- 3 PLC ± -
- 4 PLC ± -
- ANGLES ± -

MATERIAL

FINISH

DWN
CHK
APVD
PRODUCT SPEC
108-78002
APPLICATION SPEC
WEIGHT
0

SEE SHEET 1



NAME
FLEXSTRIP JUMPER
SIZE
A3
CAGE CODE
00779
DRAWING NO
G-1447169
RESTRICTED TO
SCALE
NTS
SHEET
5 of 9
REV
A6

THIS DRAWING IS UNPUBLISHED.

RELEASED FOR PUBLICATION

REVISIONS


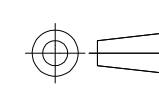
© COPYRIGHT - By -

ALL RIGHTS RESERVED.

P	LTR	DESCRIPTION	DATE	DWN	APVD
-	-	SEE SHEET 1	-	-	-

FSN SERIES NO.1

P/N	Description	Pitch (A)	Tape Length (B)	Pin Length (C)	Tape Thickness (D)	Tape Thickness (E)	Pin Diameter (F)	Margin (G)	POS
6-1447182-9	FSN-1.5A-10= JUMPER NOMEX	1.27	12.7	3.18	0.35MAX	0.44MAX	ø 0.32	0.25MIN	10
7-1447182-1	FSN-1.5A-12= JUMPER NOMEX	1.27	12.7	3.18	0.35MAX	0.44MAX	ø 0.32	0.25MIN	12
3-1437127-7	FSN-1.5A-13= JUMPER NOMEX	1.27	12.7	3.18	0.35MAX	0.44MAX	ø 0.32	0.25MIN	13
4-1437127-1	FSN-1.5A-17= JUMPER NOMEX	1.27	12.7	3.18	0.35MAX	0.44MAX	ø 0.32	0.25MIN	17
4-1437127-2	FSN-1.5A-18= JUMPER NOMEX	1.27	12.7	3.18	0.35MAX	0.44MAX	ø 0.32	0.25MIN	18
7-1447182-4	FSN-1.5A-19= JUMPER NOMEX	1.27	12.7	3.18	0.35MAX	0.44MAX	ø 0.32	0.25MIN	19
4-1437127-3	FSN-1.5A-20= JUMPER NOMEX	1.27	12.7	3.18	0.35MAX	0.44MAX	ø 0.32	0.25MIN	20
7-1447182-7	FSN-1.5A-22= JUMPER NOMEX	1.27	12.7	3.18	0.35MAX	0.44MAX	ø 0.32	0.25MIN	22
4-1437127-8	FSN-1.5A-25= JUMPER NOMEX	1.27	12.7	3.18	0.35MAX	0.44MAX	ø 0.32	0.25MIN	25
8-1447182-0	FSN-1.5A-3= JUMPER NOMEX	1.27	12.7	3.18	0.35MAX	0.44MAX	ø 0.32	0.25MIN	3
5-1437127-1	FSN-1.5A-32= JUMPER NOMEX	1.27	12.7	3.18	0.35MAX	0.44MAX	ø 0.32	0.25MIN	32
5-1437127-6	FSN-1.5A-5= JUMPER NOMEX	1.27	12.7	3.18	0.35MAX	0.44MAX	ø 0.32	0.25MIN	5
8-1447182-3	FSN-1.5A-6= JUMPER NOMEX	1.27	12.7	3.18	0.35MAX	0.44MAX	ø 0.32	0.25MIN	6
1437129-6	FSN-11.5A-10= JUMPER NOMEX	1.27	38.1	3.18	0.35MAX	0.44MAX	ø 0.32	0.25MIN	10
8-1447182-9	FSN-11.5A-13= JUMPER NOMEX	1.27	38.1	3.18	0.35MAX	0.44MAX	ø 0.32	0.25MIN	13
9-1447182-0	FSN-11.5A-16= JUMPER NOMEX	1.27	38.1	3.18	0.35MAX	0.44MAX	ø 0.32	0.25MIN	16
1-1437129-1	FSN-11.5A-18= JUMPER NOMEX	1.27	38.1	3.18	0.35MAX	0.44MAX	ø 0.32	0.25MIN	18
1-1437129-3	FSN-11.5A-20= JUMPER NOMEX	1.27	38.1	3.18	0.35MAX	0.44MAX	ø 0.32	0.25MIN	20
9-1447182-4	FSN-11.5A-22= JUMPER NOMEX	1.27	38.1	3.18	0.35MAX	0.44MAX	ø 0.32	0.25MIN	22
9-1447182-8	FSN-11.5A-25= JUMPER NOMEX	1.27	38.1	3.18	0.35MAX	0.44MAX	ø 0.32	0.25MIN	25
1447183-6	FSN-11.5A-4= JUMPER NOMEX	1.27	38.1	3.18	0.35MAX	0.44MAX	ø 0.32	0.25MIN	4
2-1437129-2	FSN-11.5A-5= JUMPER NOMEX	1.27	38.1	3.18	0.35MAX	0.44MAX	ø 0.32	0.25MIN	5
2-1437129-5	FSN-11.5A-7= JUMPER NOMEX	1.27	38.1	3.18	0.35MAX	0.44MAX	ø 0.32	0.25MIN	7
2-1437129-6	FSN-11.5A-8= JUMPER NOMEX	1.27	38.1	3.18	0.35MAX	0.44MAX	ø 0.32	0.25MIN	8
2-1437129-7	FSN-11.5A-9= JUMPER NOMEX	1.27	38.1	3.18	0.35MAX	0.44MAX	ø 0.32	0.25MIN	9
1437130-4	FSN-11A-10= JUMPER NOMEX	1.27	25.4	3.18	0.35MAX	0.44MAX	ø 0.32	0.25MIN	10
1437130-8	FSN-11A-12= JUMPER NOMEX	1.27	25.4	3.18	0.35MAX	0.44MAX	ø 0.32	0.25MIN	12
1-1437130-1	FSN-11A-14= JUMPER NOMEX	1.27	25.4	3.18	0.35MAX	0.44MAX	ø 0.32	0.25MIN	14
1-1437130-3	FSN-11A-15= JUMPER NOMEX	1.27	25.4	3.18	0.35MAX	0.44MAX	ø 0.32	0.25MIN	15
1-1437130-4	FSN-11A-16= JUMPER NOMEX	1.27	25.4	3.18	0.35MAX	0.44MAX	ø 0.32	0.25MIN	16
1-1437130-6	FSN-11A-18= JUMPER NOMEX	1.27	25.4	3.18	0.35MAX	0.44MAX	ø 0.32	0.25MIN	18
1-1437130-9	FSN-11A-20= JUMPER NOMEX	1.27	25.4	3.18	0.35MAX	0.44MAX	ø 0.32	0.25MIN	20
2-1437130-1	FSN-11A-22= JUMPER NOMEX	1.27	25.4	3.18	0.35MAX	0.44MAX	ø 0.32	0.25MIN	22
2-1437130-2	FSN-11A-23= JUMPER NOMEX	1.27	25.4	3.18	0.35MAX	0.44MAX	ø 0.32	0.25MIN	23
2-1437130-3	FSN-11A-24= JUMPER NOMEX	1.27	25.4	3.18	0.35MAX	0.44MAX	ø 0.32	0.25MIN	24
2-1437130-5	FSN-11A-26= JUMPER NOMEX	1.27	25.4	3.18	0.35MAX	0.44MAX	ø 0.32	0.25MIN	26
1-1447183-7	FSN-11A-27= JUMPER NOMEX	1.27	25.4	3.18	0.35MAX	0.44MAX	ø 0.32	0.25MIN	27
2-1437130-6	FSN-11A-28= JUMPER NOMEX	1.27	25.4	3.18	0.35MAX	0.44MAX	ø 0.32	0.25MIN	28
2-1437130-9	FSN-11A-30= JUMPER NOMEX	1.27	25.4	3.18	0.35MAX	0.44MAX	ø 0.32	0.25MIN	30
3-1437130-3	FSN-11A-5= JUMPER NOMEX	1.27	25.4	3.18	0.35MAX	0.44MAX	ø 0.32	0.25MIN	5
3-1437130-4	FSN-11A-6= JUMPER NOMEX	1.27	25.4	3.18	0.35MAX	0.44MAX	ø 0.32	0.25MIN	6
3-1437130-6	FSN-11A-8= JUMPER NOMEX	1.27	25.4	3.18	0.35MAX	0.44MAX	ø 0.32	0.25MIN	8
2-1447183-1	FSN-11A-8PL2.5= JUMPER NOMEX	1.27	25.4	2.50	0.35MAX	0.44MAX	ø 0.32	0.25MIN	8
2-1447183-7	FSN-12.5A-13= JUMPER NOMEX	1.27	63.5	3.18	0.35MAX	0.44MAX	ø 0.32	0.25MIN	13
1-1437131-1	FSN-12.5A-20= JUMPER NOMEX	1.27	63.5	3.18	0.35MAX	0.44MAX	ø 0.32	0.25MIN	20
1-1437131-5	FSN-12.5A-30= JUMPER NOMEX	1.27	63.5	3.18	0.35MAX	0.44MAX	ø 0.32	0.25MIN	30
5-1437131-2	FSN-12A-14= JUMPER NOMEX	1.27	50.8	3.18	0.35MAX	0.44MAX	ø 0.32	0.25MIN	14
5-1437131-3	FSN-12A-15= JUMPER NOMEX	1.27	50.8	3.18	0.35MAX	0.44MAX	ø 0.32	0.25MIN	15
6-1437131-0	FSN-12A-21= JUMPER NOMEX	1.27	50.8	3.18	0.35MAX	0.44MAX	ø 0.32	0.25MIN	21
6-1437131-4	FSN-12A-25= JUMPER NOMEX	1.27	50.8	3.18	0.35MAX	0.44MAX	ø 0.32	0.25MIN	25
6-1437131-8	FSN-12A-30= JUMPER NOMEX	1.27	50.8	3.18	0.35MAX	0.44MAX	ø 0.32	0.25MIN	30
2-1437181-8	FSN-12A-4= JUMPER NOMEX	1.27	50.8	3.18	0.35MAX	0.44MAX	ø 0.32	0.25MIN	4
7-1437131-5	FSN-12A-8= JUMPER NOMEX	1.27	50.8	3.18	0.35MAX	0.44MAX	ø 0.32	0.25MIN	8
4-1447183-3	FSN-13.5A-24= JUMPER NOMEX	1.27	88.9	3.18	0.35MAX	0.44MAX	ø 0.32	0.25MIN	24
1-1437133-9	FSN-14A-10= JUMPER NOMEX	1.27	101.6	3.18	0.35MAX	0.44MAX	ø 0.32	0.25MIN	10
4-1447183-9	FSN-14A-16= JUMPER NOMEX	1.27	101.6	3.18	0.35MAX	0.44MAX	ø 0.32	0.25MIN	16
6-1447183-1	FSN-15A-25= JUMPER NOMEX	1.27	127.0	3.18	0.35MAX	0.44MAX	ø 0.32	0.25MIN	25

THIS DRAWING IS A CONTROLLED DOCUMENT.		DWN	-	 TE Connectivity	
DIMENSIONS: mm		CHK	-		
		APVD	-		
TOLERANCES UNLESS OTHERWISE SPECIFIED:		PRODUCT SPEC	108-78002		
MATERIAL		APPLICATION SPEC	-	FLEXSTRIP JUMPER	
FINISH		SIZE	A3	CAGE CODE	00779
-		WEIGHT	0	DRAWING NO	C-1447169
-		CUSTOMER DRAWING		RESTRICTED TO	-
		SCALE	NTS	SHEET	6 OF 9
				REV	A6

P	LTR	DESCRIPTION	DATE	DWN	APVD
-	-	SEE SHEET 1	-	-	-

FSN SERIES NO.2

PIN	Description	Pitch (A)	Tape Length (B)	Pin Length (C)	Tape Thickness (D)	Tape Thickness (E)	Pin Diameter (F)	Margin (G)	POS
7-1447183-3	FSN-2.5A-10=JUMPER NOMEX	2.54	12.7	3.18	0.35MAX	0.84MAX	φ0.51	0.25MIN	10
7-1447183-5	FSN-2.5A-11=JUMPER NOMEX	2.54	12.7	3.18	0.35MAX	0.84MAX	φ0.51	0.25MIN	11
7-1447183-7	FSN-2.5A-12=JUMPER NOMEX	2.54	12.7	3.18	0.35MAX	0.84MAX	φ0.51	0.25MIN	12
7-1447183-8	FSN-2.5A-13=JUMPER NOMEX	2.54	12.7	3.18	0.35MAX	0.84MAX	φ0.51	0.25MIN	13
8-1447183-0	FSN-2.5A-14=JUMPER NOMEX	2.54	12.7	3.18	0.35MAX	0.84MAX	φ0.51	0.25MIN	14
4-1437134-9	FSN-2.5A-15=JUMPER NOMEX	2.54	12.7	3.18	0.35MAX	0.84MAX	φ0.51	0.25MIN	15
8-1447183-2	FSN-2.5A-16=JUMPER NOMEX	2.54	12.7	3.18	0.35MAX	0.84MAX	φ0.51	0.25MIN	16
8-1447183-4	FSN-2.5A-18=JUMPER NOMEX	2.54	12.7	3.18	0.35MAX	0.84MAX	φ0.51	0.25MIN	18
8-1447183-5	FSN-2.5A-20=JUMPER NOMEX	2.54	12.7	3.18	0.35MAX	0.84MAX	φ0.51	0.25MIN	20
8-1447183-6	FSN-2.5A-20=JUMPER NOMEX	2.54	12.7	3.18	0.35MAX	0.84MAX	φ0.51	0.25MIN	2
9-1447183-8	FSN-2.5A-5=JUMPER NOMEX	2.54	12.7	3.18	0.35MAX	0.84MAX	φ0.51	0.25MIN	5
1447184-1	FSN-2.5A-6=JUMPER NOMEX	2.54	12.7	3.18	0.35MAX	0.84MAX	φ0.51	0.25MIN	6
1447184-3	FSN-2.5A-7=JUMPER NOMEX	2.54	12.7	3.18	0.35MAX	0.84MAX	φ0.51	0.25MIN	7
1447184-7	FSN-2.5A-9=JUMPER NOMEX	2.54	12.7	3.18	0.35MAX	0.84MAX	φ0.51	0.25MIN	9
3-1437137-4	FSN-2.15A-10=JUMPER NOMEX	2.54	38.1	3.18	0.35MAX	0.84MAX	φ0.51	0.25MIN	10
3-1437137-6	FSN-2.15A-11=JUMPER NOMEX	2.54	38.1	3.18	0.35MAX	0.84MAX	φ0.51	0.25MIN	11
4-1437137-1	FSN-2.15A-13=JUMPER NOMEX	2.54	38.1	3.18	0.35MAX	0.84MAX	φ0.51	0.25MIN	13
4-1437137-2	FSN-2.15A-14=JUMPER NOMEX	2.54	38.1	3.18	0.35MAX	0.84MAX	φ0.51	0.25MIN	14
4-1437137-3	FSN-2.15A-16=JUMPER NOMEX	2.54	38.1	3.18	0.35MAX	0.84MAX	φ0.51	0.25MIN	15
4-1437137-6	FSN-2.15A-17=JUMPER NOMEX	2.54	38.1	3.18	0.35MAX	0.84MAX	φ0.51	0.25MIN	17
4-1447184-0	FSN-2.15A-18=JUMPER NOMEX	2.54	38.1	3.18	0.35MAX	0.84MAX	φ0.51	0.25MIN	18
4-1437137-8	FSN-2.15A-19=JUMPER NOMEX	2.54	38.1	3.18	0.35MAX	0.84MAX	φ0.51	0.25MIN	19
4-1437137-9	FSN-2.15A-2=JUMPER NOMEX	2.54	38.1	3.18	0.35MAX	0.84MAX	φ0.51	0.25MIN	2
4-1447184-2	FSN-2.15A-20=JUMPER NOMEX	2.54	38.1	3.18	0.35MAX	0.84MAX	φ0.51	0.25MIN	20
5-1437137-4	FSN-2.15A-22=JUMPER NOMEX	2.54	38.1	3.18	0.35MAX	0.84MAX	φ0.51	0.25MIN	22
5-1437137-5	FSN-2.15A-23=JUMPER NOMEX	2.54	38.1	3.18	0.35MAX	0.84MAX	φ0.51	0.25MIN	23
5-1437137-7	FSN-2.15A-24=JUMPER NOMEX	2.54	38.1	3.18	0.35MAX	0.84MAX	φ0.51	0.25MIN	24
5-1437137-8	FSN-2.15A-25=JUMPER NOMEX	2.54	38.1	3.18	0.35MAX	0.84MAX	φ0.51	0.25MIN	25
5-1437137-9	FSN-2.15A-26=JUMPER NOMEX	2.54	38.1	3.18	0.35MAX	0.84MAX	φ0.51	0.25MIN	26
5-1447184-0	FSN-2.15A-27=JUMPER NOMEX	2.54	38.1	3.18	0.35MAX	0.84MAX	φ0.51	0.25MIN	27
5-1447184-6	FSN-2.15A-3=JUMPER NOMEX	2.54	38.1	3.18	0.35MAX	0.84MAX	φ0.51	0.25MIN	3
6-1437137-3	FSN-2.15A-30=JUMPER NOMEX	2.54	38.1	3.18	0.35MAX	0.84MAX	φ0.51	0.25MIN	30
6-1437137-4	FSN-2.15A-32=JUMPER NOMEX	2.54	38.1	3.18	0.35MAX	0.84MAX	φ0.51	0.25MIN	32
6-1447184-2	FSN-2.15A-33=JUMPER NOMEX	2.54	38.1	3.18	0.35MAX	0.84MAX	φ0.51	0.25MIN	33
6-1437137-7	FSN-2.15A-4=JUMPER NOMEX	2.54	38.1	3.18	0.35MAX	0.84MAX	φ0.51	0.25MIN	4
6-1447184-8	FSN-2.15A-5=JUMPER NOMEX	2.54	38.1	3.18	0.35MAX	0.84MAX	φ0.51	0.25MIN	5
7-1437137-2	FSN-2.15A-6=JUMPER NOMEX	2.54	38.1	3.18	0.35MAX	0.84MAX	φ0.51	0.25MIN	6
7-1447184-3	FSN-2.15A-7=JUMPER NOMEX	2.54	38.1	3.18	0.35MAX	0.84MAX	φ0.51	0.25MIN	7
7-1447184-8	FSN-2.15A-8=JUMPER NOMEX	2.54	38.1	3.18	0.35MAX	0.84MAX	φ0.51	0.25MIN	8
7-1437137-8	FSN-2.15A-9=JUMPER NOMEX	2.54	38.1	3.18	0.35MAX	0.84MAX	φ0.51	0.25MIN	9
9-1437137-4	FSN-2.15B-6=JUMPER NOMEX	2.54	38.1	3.18	0.35MAX	0.84MAX	φ0.51	0.25MIN	6
8-1447184-6	FSN-2.15B-9=JUMPER NOMEX	2.54	38.1	3.18	0.35MAX	0.84MAX	φ0.51	0.25MIN	9
6-1437139-7	FSN-2.1A-10=JUMPER NOMEX	2.54	25.4	3.18	0.35MAX	0.84MAX	φ0.51	0.25MIN	10
6-1437139-9	FSN-2.1A-11=JUMPER NOMEX	2.54	25.4	3.18	0.35MAX	0.84MAX	φ0.51	0.25MIN	11
7-1437139-1	FSN-2.1A-12=JUMPER NOMEX	2.54	25.4	3.18	0.35MAX	0.84MAX	φ0.51	0.25MIN	12
7-1437139-3	FSN-2.1A-13=JUMPER NOMEX	2.54	25.4	3.18	0.35MAX	0.84MAX	φ0.51	0.25MIN	13
7-1437139-4	FSN-2.1A-14=JUMPER NOMEX	2.54	25.4	3.18	0.35MAX	0.84MAX	φ0.51	0.25MIN	14
7-1437139-7	FSN-2.1A-15=JUMPER NOMEX	2.54	25.4	3.18	0.35MAX	0.84MAX	φ0.51	0.25MIN	15
7-1437139-9	FSN-2.1A-16=JUMPER NOMEX	2.54	25.4	3.18	0.35MAX	0.84MAX	φ0.51	0.25MIN	16
8-1437139-0	FSN-2.1A-17=JUMPER NOMEX	2.54	25.4	3.18	0.35MAX	0.84MAX	φ0.51	0.25MIN	17
8-1437139-1	FSN-2.1A-18=JUMPER NOMEX	2.54	25.4	3.18	0.35MAX	0.84MAX	φ0.51	0.25MIN	18
8-1437139-2	FSN-2.1A-19=JUMPER NOMEX	2.54	25.4	3.18	0.35MAX	0.84MAX	φ0.51	0.25MIN	19
8-1437139-3	FSN-2.1A-20=JUMPER NOMEX	2.54	25.4	3.18	0.35MAX	0.84MAX	φ0.51	0.25MIN	2
8-1437139-4	FSN-2.1A-20=JUMPER NOMEX	2.54	25.4	3.18	0.35MAX	0.84MAX	φ0.51	0.25MIN	20
8-1437139-5	FSN-2.1A-21=JUMPER NOMEX	2.54	25.4	3.18	0.35MAX	0.84MAX	φ0.51	0.25MIN	21
8-1437139-6	FSN-2.1A-22=JUMPER NOMEX	2.54	25.4	3.18	0.35MAX	0.84MAX	φ0.51	0.25MIN	22
8-1437139-9	FSN-2.1A-25=JUMPER NOMEX	2.54	25.4	3.18	0.35MAX	0.84MAX	φ0.51	0.25MIN	25
9-1437139-0	FSN-2.1A-26=JUMPER NOMEX	2.54	25.4	3.18	0.35MAX	0.84MAX	φ0.51	0.25MIN	26
9-1437139-1	FSN-2.1A-27=JUMPER NOMEX	2.54	25.4	3.18	0.35MAX	0.84MAX	φ0.51	0.25MIN	27
9-1437139-2	FSN-2.1A-28=JUMPER NOMEX	2.54	25.4	3.18	0.35MAX	0.84MAX	φ0.51	0.25MIN	28
9-1437139-7	FSN-2.1A-3=JUMPER NOMEX	2.54	25.4	3.18	0.35MAX	0.84MAX	φ0.51	0.25MIN	3
9-1437139-8	FSN-2.1A-30=JUMPER NOMEX	2.54	25.4	3.18	0.35MAX	0.84MAX	φ0.51	0.25MIN	30
1437140-9	FSN-2.1A-4=JUMPER NOMEX	2.54	25.4	3.18	0.35MAX	0.84MAX	φ0.51	0.25MIN	4
1-1437140-1	FSN-2.1A-5=JUMPER NOMEX	2.54	25.4	3.18	0.35MAX	0.84MAX	φ0.51	0.25MIN	5
1-1437140-4	FSN-2.1A-6=JUMPER NOMEX	2.54	25.4	3.18	0.35MAX	0.84MAX	φ0.51	0.25MIN	6
1-1437140-6	FSN-2.1A-7=JUMPER NOMEX	2.54	25.4	3.18	0.35MAX	0.84MAX	φ0.51	0.25MIN	7
2-1437140-1	FSN-2.1A-9=JUMPER NOMEX	2.54	25.4	3.18	0.35MAX	0.84MAX	φ0.51	0.25MIN	9
5-1447185-6	FSN-2.1A-9PA=JUMPER (PA4.0)	2.54	25.4	4.00	0.35MAX	0.84MAX	φ0.51	0.25MIN	9
5-1447185-9	FSN-2.1A-1=JUMPER NOMEX	2.54	25.4	3.18	0.35MAX	0.84MAX	φ0.51	0.25MIN	14
6-1447185-2	FSN-2.1A-5=JUMPER NOMEX	2.54	25.4	3.18	0.35MAX	0.84MAX	φ0.51	0.25MIN	5

THIS DRAWING IS A CONTROLLED DOCUMENT.

DIMENSIONS: mm

TOLERANCES UNLESS OTHERWISE SPECIFIED:

0 PLC	± -
1 PLC	± -
2 PLC	± -
3 PLC	± -
4 PLC	± -
ANGLES	± -

MATERIAL: - FINISH: -

WEIGHT: 0

PRODUCT SPEC: 108-78002

APPLICATION SPEC: -

CUSTOMER DRAWING


DWN: -
CHK: -
APVD: -

SEE SHEET 1

NAME: FLEXSTRIP JUMPER

SIZE: A3 CAGE CODE: 00779 DRAWING NO: 1447169 RESTRICTED TO: -

SCALE: NTS SHEET: 7 of 9 REV: A6



TE Connectivity

THIS DRAWING IS UNPUBLISHED.

RELEASED FOR PUBLICATION

REVISIONS

© COPYRIGHT - By -

ALL RIGHTS RESERVED.

P	LTR	DESCRIPTION	DATE	DWN	APVD
-	-	SEE SHEET 1	-	-	-

FSN SERIES NO.3

P/N	Description	Pitch (A)	Tape Length (B)	Pin Length (C)	Tape Thickness (D)	Tape Thickness (E)	Pin Diameter (F)	Margin (G)	POS
2-1437141-9	FSN-22.5A-10= JUMPER NOMEX	2.54	63.5	3.18	0.35MAX	0.84MAX	φ0.51	0.25MIN	10
3-1437141-0	FSN-22.5A-11= JUMPER NOMEX	2.54	63.5	3.18	0.35MAX	0.84MAX	φ0.51	0.25MIN	11
3-1437141-1	FSN-22.5A-12= JUMPER NOMEX	2.54	63.5	3.18	0.35MAX	0.84MAX	φ0.51	0.25MIN	12
7-1447185-4	FSN-22.5A-14PA JUMPER NOMEX	2.54	63.5	4.00	0.35MAX	0.84MAX	φ0.51	0.25MIN	14
3-1437141-4	FSN-22.5A-15= JUMPER NOMEX	2.54	63.5	3.18	0.35MAX	0.84MAX	φ0.51	0.25MIN	15
3-1437141-5	FSN-22.5A-16= JUMPER NOMEX	2.54	63.5	3.18	0.35MAX	0.84MAX	φ0.51	0.25MIN	16
3-1437141-7	FSN-22.5A-18=JUMPER NOMEX	2.54	63.5	3.18	0.35MAX	0.84MAX	φ0.51	0.25MIN	18
8-1447185-8	FSN-22.5A-19=JUMPER NOMEX	2.54	63.5	3.18	0.35MAX	0.84MAX	φ0.51	0.25MIN	19
3-1437141-9	FSN-22.5A-20= JUMPER NOMEX	2.54	63.5	3.18	0.35MAX	0.84MAX	φ0.51	0.25MIN	20
4-1437141-2	FSN-22.5A-22= JUMPER NOMEX	2.54	63.5	3.18	0.35MAX	0.84MAX	φ0.51	0.25MIN	22
9-1447185-6	FSN-22.5A-25=JUMPER NOMEX	2.54	63.5	3.18	0.35MAX	0.84MAX	φ0.51	0.25MIN	25
1447186-1	FSN-22.5A-26=JUMPER NOMEX	2.54	63.5	3.18	0.35MAX	0.84MAX	φ0.51	0.25MIN	26
4-1437141-9	FSN-22.5A-3= JUMPER NOMEX	2.54	63.5	3.18	0.35MAX	0.84MAX	φ0.51	0.25MIN	3
1447186-6	FSN-22.5A-30=JUMPER NOMEX	2.54	63.5	3.18	0.35MAX	0.84MAX	φ0.51	0.25MIN	30
1447186-8	FSN-22.5A-31=JUMPER NOMEX	2.54	63.5	3.18	0.35MAX	0.84MAX	φ0.51	0.25MIN	31
5-1437141-1	FSN-22.5A-4= JUMPER NOMEX	2.54	63.5	3.18	0.35MAX	0.84MAX	φ0.51	0.25MIN	4
5-1437141-2	FSN-22.5A-5= JUMPER NOMEX	2.54	63.5	3.18	0.35MAX	0.84MAX	φ0.51	0.25MIN	5
5-1437141-3	FSN-22.5A-6= JUMPER NOMEX	2.54	63.5	3.18	0.35MAX	0.84MAX	φ0.51	0.25MIN	6
5-1437141-4	FSN-22.5A-7= JUMPER NOMEX	2.54	63.5	3.18	0.35MAX	0.84MAX	φ0.51	0.25MIN	7
5-1437141-5	FSN-22.5A-8= JUMPER NOMEX	2.54	63.5	3.18	0.35MAX	0.84MAX	φ0.51	0.25MIN	8
5-1437141-6	FSN-22.5A-9= JUMPER NOMEX	2.54	63.5	3.18	0.35MAX	0.84MAX	φ0.51	0.25MIN	9
2-1437142-8	FSN-22A-10= JUMPER NOMEX	2.54	50.8	3.18	0.35MAX	0.84MAX	φ0.51	0.25MIN	10
3-1437142-0	FSN-22A-11= JUMPER NOMEX	2.54	50.8	3.18	0.35MAX	0.84MAX	φ0.51	0.25MIN	11
3-1437142-2	FSN-22A-12= JUMPER NOMEX	2.54	50.8	3.18	0.35MAX	0.84MAX	φ0.51	0.25MIN	12
3-1437142-3	FSN-22A-13= JUMPER NOMEX	2.54	50.8	3.18	0.35MAX	0.84MAX	φ0.51	0.25MIN	13
3-1437142-4	FSN-22A-14= JUMPER NOMEX	2.54	50.8	3.18	0.35MAX	0.84MAX	φ0.51	0.25MIN	14
3-1437142-5	FSN-22A-15= JUMPER NOMEX	2.54	50.8	3.18	0.35MAX	0.84MAX	φ0.51	0.25MIN	15
3-1437142-6	FSN-22A-16= JUMPER NOMEX	2.54	50.8	3.18	0.35MAX	0.84MAX	φ0.51	0.25MIN	16
3-1437142-7	FSN-22A-17= JUMPER NOMEX	2.54	50.8	3.18	0.35MAX	0.84MAX	φ0.51	0.25MIN	17
3-1437142-8	FSN-22A-18= JUMPER NOMEX	2.54	50.8	3.18	0.35MAX	0.84MAX	φ0.51	0.25MIN	18
3-1437142-9	FSN-22A-19= JUMPER NOMEX	2.54	50.8	3.18	0.35MAX	0.84MAX	φ0.51	0.25MIN	19
4-1437142-0	FSN-22A-2= JUMPER NOMEX	2.54	50.8	3.18	0.35MAX	0.84MAX	φ0.51	0.25MIN	2
4-1437142-1	FSN-22A-20= JUMPER NOMEX	2.54	50.8	3.18	0.35MAX	0.84MAX	φ0.51	0.25MIN	20
4-1437142-3	FSN-22A-21= JUMPER NOMEX	2.54	50.8	3.18	0.35MAX	0.84MAX	φ0.51	0.25MIN	21
4-1437142-4	FSN-22A-22= JUMPER NOMEX	2.54	50.8	3.18	0.35MAX	0.84MAX	φ0.51	0.25MIN	22
4-1437142-5	FSN-22A-23= JUMPER NOMEX	2.54	50.8	3.18	0.35MAX	0.84MAX	φ0.51	0.25MIN	23
4-1437142-6	FSN-22A-24= JUMPER NOMEX	2.54	50.8	3.18	0.35MAX	0.84MAX	φ0.51	0.25MIN	24
4-1437142-9	FSN-22A-25= JUMPER NOMEX	2.54	50.8	3.18	0.35MAX	0.84MAX	φ0.51	0.25MIN	25
5-1437142-0	FSN-22A-26= JUMPER NOMEX	2.54	50.8	3.18	0.35MAX	0.84MAX	φ0.51	0.25MIN	26
7-1447186-7	FSN-22A-28=JUMPER NOMEX	2.54	50.8	3.18	0.35MAX	0.84MAX	φ0.51	0.25MIN	28
5-1437142-2	FSN-22A-3= JUMPER NOMEX	2.54	50.8	3.18	0.35MAX	0.84MAX	φ0.51	0.25MIN	3
5-1437142-3	FSN-22A-30= JUMPER NOMEX	2.54	50.8	3.18	0.35MAX	0.84MAX	φ0.51	0.25MIN	30
8-1447186-5	FSN-22A-31=JUMPER NOMEX	2.54	50.8	3.18	0.35MAX	0.84MAX	φ0.51	0.25MIN	31
9-1447186-0	FSN-22A-34=JUMPER NOMEX	2.54	50.8	3.18	0.35MAX	0.84MAX	φ0.51	0.25MIN	34
9-1447186-1	FSN-22A-37=JUMPER NOMEX	2.54	50.8	3.18	0.35MAX	0.84MAX	φ0.51	0.25MIN	37
5-1437142-9	FSN-22A-4= JUMPER NOMEX	2.54	50.8	3.18	0.35MAX	0.84MAX	φ0.51	0.25MIN	4
9-1447186-7	FSN-22A-4PA =JUMPER (PA4.0)	2.54	50.8	4.00	0.35MAX	0.84MAX	φ0.51	0.25MIN	4
6-1437142-2	FSN-22A-5= JUMPER NOMEX	2.54	50.8	3.18	0.35MAX	0.84MAX	φ0.51	0.25MIN	5
1447187-1	FSN-22A-5PA =JUMPER (PA4.0)	2.54	50.8	4.00	0.35MAX	0.84MAX	φ0.51	0.25MIN	5
6-1437142-7	FSN-22A-6= JUMPER NOMEX	2.54	50.8	3.18	0.35MAX	0.84MAX	φ0.51	0.25MIN	6
6-1437142-9	FSN-22A-7= JUMPER NOMEX	2.54	50.8	3.18	0.35MAX	0.84MAX	φ0.51	0.25MIN	7
7-1437142-2	FSN-22A-8= JUMPER NOMEX	2.54	50.8	3.18	0.35MAX	0.84MAX	φ0.51	0.25MIN	8
1447178-7	FSN-22A-8PA= JUMPER NOMEX	2.54	50.8	4.00	0.35MAX	0.84MAX	φ0.51	0.25MIN	8
7-1437142-5	FSN-22A-9= JUMPER NOMEX	2.54	50.8	3.18	0.35MAX	0.84MAX	φ0.51	0.25MIN	9
1-1447187-3	FSN-22AB-9=JUMPER NOMEX	2.54	50.8	3.18	0.35MAX	0.84MAX	φ0.51	0.25MIN	8
1437143-2	FSN-22B-20= JUMPER NOMEX	2.54	50.8	3.18	0.35MAX	0.84MAX	φ0.51	0.25MIN	20
6-1437143-4	FSN-23.5A-10= JUMPER NOMEX	2.54	88.9	3.18	0.35MAX	0.84MAX	φ0.51	0.25MIN	10
6-1437143-5	FSN-23.5A-11= JUMPER NOMEX	2.54	88.9	3.18	0.35MAX	0.84MAX	φ0.51	0.25MIN	11
6-1437143-6	FSN-23.5A-12= JUMPER NOMEX	2.54	88.9	3.18	0.35MAX	0.84MAX	φ0.51	0.25MIN	12
6-1437143-8	FSN-23.5A-14= JUMPER NOMEX	2.54	88.9	3.18	0.35MAX	0.84MAX	φ0.51	0.25MIN	14
2069384-1	FSN-23.5A-21= JUMPER NOMEX	2.54	88.9	3.18	0.35MAX	0.84MAX	φ0.51	0.25MIN	21

THIS DRAWING IS A CONTROLLED DOCUMENT.

DIMENSIONS: mm

TOLERANCES UNLESS OTHERWISE SPECIFIED:

0 PLC ± -
 1 PLC ± -
 2 PLC ± -
 3 PLC ± -
 4 PLC ± -
 ANGLES ± -

MATERIAL: - FINISH: -

DWN: -
 CHK: -
 APVD: -

SEE SHEET 1

PRODUCT SPEC: 108-78002

APPLICATION SPEC: -

WEIGHT: 0

CUSTOMER DRAWING

STE TE Connectivity

FLEXSTRIP JUMPER

SIZE: A3 CAGE CODE: 00779 DRAWING NO: C-1447169 RESTRICTED TO: -

SCALE: NTS SHEET: 8 OF 9 REV: A6

THIS DRAWING IS UNPUBLISHED.

RELEASED FOR PUBLICATION

REVISIONS

© COPYRIGHT - By -

ALL RIGHTS RESERVED.

P	LTR	DESCRIPTION	DATE	DWN	APVD
-	-	SEE SHEET 1	-	-	-

FSN SERIES NO.4

P/N	Description	Pitch (A)	Tape Length (B)	Pin Length (C)	Tape Thickness (D)	Tape Thickness (E)	Pin Diameter (F)	Margh (G)	POS
8-1437143-5	FSN-23A-9= JUMPER NOMEM	2.54	88.9	3.18	0.35MAX	0.84MAX	φ0.51	0.25MIN	8
8-1437143-6	FSN-23A-9= JUMPER NOMEM	2.54	88.9	3.18	0.35MAX	0.84MAX	φ0.51	0.25MIN	9
2-1437144-5	FSN-23A-10= JUMPER NOMEM	2.54	76.2	3.18	0.35MAX	0.84MAX	φ0.51	0.25MIN	10
2-1437144-7	FSN-23A-11= JUMPER NOMEM	2.54	76.2	3.18	0.35MAX	0.84MAX	φ0.51	0.25MIN	11
3-1437144-0	FSN-23A-13= JUMPER NOMEM	2.54	76.2	3.18	0.35MAX	0.84MAX	φ0.51	0.25MIN	13
3-1437144-1	FSN-23A-14= JUMPER NOMEM	2.54	76.2	3.18	0.35MAX	0.84MAX	φ0.51	0.25MIN	14
3-1437144-3	FSN-23A-15= JUMPER NOMEM	2.54	76.2	3.18	0.35MAX	0.84MAX	φ0.51	0.25MIN	15
3-1437144-4	FSN-23A-16= JUMPER NOMEM	2.54	76.2	3.18	0.35MAX	0.84MAX	φ0.51	0.25MIN	16
3-1437144-6	FSN-23A-18= JUMPER NOMEM	2.54	76.2	3.18	0.35MAX	0.84MAX	φ0.51	0.25MIN	18
4-1447187-2	FSN-23A-18-3.5= JUMPER (PL3.5)	2.54	76.2	3.50	0.35MAX	0.84MAX	φ0.51	0.25MIN	18
3-1437144-8	FSN-23A-19= JUMPER NOMEM	2.54	76.2	3.18	0.35MAX	0.84MAX	φ0.51	0.25MIN	19
4-1437144-0	FSN-23A-20= JUMPER NOMEM	2.54	76.2	3.18	0.35MAX	0.84MAX	φ0.51	0.25MIN	20
4-1437144-2	FSN-23A-21= JUMPER NOMEM	2.54	76.2	3.18	0.35MAX	0.84MAX	φ0.51	0.25MIN	21
4-1437144-3	FSN-23A-22= JUMPER NOMEM	2.54	76.2	3.18	0.35MAX	0.84MAX	φ0.51	0.25MIN	22
4-1437144-4	FSN-23A-23= JUMPER NOMEM	2.54	76.2	3.18	0.35MAX	0.84MAX	φ0.51	0.25MIN	23
4-1437144-5	FSN-23A-24= JUMPER NOMEM	2.54	76.2	3.18	0.35MAX	0.84MAX	φ0.51	0.25MIN	24
4-1437144-6	FSN-23A-25= JUMPER NOMEM	2.54	76.2	3.18	0.35MAX	0.84MAX	φ0.51	0.25MIN	25
4-1437144-7	FSN-23A-26= JUMPER NOMEM	2.54	76.2	3.18	0.35MAX	0.84MAX	φ0.51	0.25MIN	26
5-1437144-1	FSN-23A-30= JUMPER NOMEM	2.54	76.2	3.18	0.35MAX	0.84MAX	φ0.51	0.25MIN	30
5-1437144-6	FSN-23A-4= JUMPER NOMEM	2.54	76.2	3.18	0.35MAX	0.84MAX	φ0.51	0.25MIN	4
5-1437144-8	FSN-23A-5= JUMPER NOMEM	2.54	76.2	3.18	0.35MAX	0.84MAX	φ0.51	0.25MIN	5
5-1437144-9	FSN-23A-6= JUMPER NOMEM	2.54	76.2	3.18	0.35MAX	0.84MAX	φ0.51	0.25MIN	6
6-1447187-9	FSN-23A-6PA= JUMPER (PA4.0)	2.54	76.2	4.00	0.35MAX	0.84MAX	φ0.51	0.25MIN	6
6-1437144-0	FSN-23A-7= JUMPER NOMEM	2.54	76.2	3.18	0.35MAX	0.84MAX	φ0.51	0.25MIN	7
7-1447187-1	FSN-23A-8-3.5= JUMPER (PL3.5)	2.54	76.2	3.18 ^{+0.76}	0.35MAX	0.84MAX	φ0.51	0.25MIN	8
6-1437144-3	FSN-23A-9= JUMPER NOMEM	2.54	76.2	3.18	0.35MAX	0.84MAX	φ0.51	0.25MIN	9
7-1447187-8	FSN-23B-12= JUMPER NOMEM	2.54	76.2	3.18	0.35MAX	0.84MAX	φ0.51	0.25MIN	12
4-1437145-8	FSN-24A-10= JUMPER NOMEM	2.54	101.6	3.18	0.35MAX	0.84MAX	φ0.51	0.25MIN	10
8-1447178-7	FSN-24A-12PA= JUMPER NOMEM	2.54	101.6	4.00	0.35MAX	0.84MAX	φ0.51	0.25MIN	12
5-1437145-4	FSN-24A-14= JUMPER NOMEM	2.54	101.6	3.18	0.35MAX	0.84MAX	φ0.51	0.25MIN	14
5-1437145-6	FSN-24A-15= JUMPER NOMEM	2.54	101.6	3.18	0.35MAX	0.84MAX	φ0.51	0.25MIN	15
6-1437145-4	FSN-24A-2= JUMPER NOMEM	2.54	101.6	3.18	0.35MAX	0.84MAX	φ0.51	0.25MIN	2
6-1437145-5	FSN-24A-20= JUMPER NOMEM	2.54	101.6	3.18	0.35MAX	0.84MAX	φ0.51	0.25MIN	20
7-1437145-1	FSN-24A-25= JUMPER NOMEM	2.54	101.6	3.18	0.35MAX	0.84MAX	φ0.51	0.25MIN	25
8-1437145-1	FSN-24A-4= JUMPER NOMEM	2.54	101.6	3.18	0.35MAX	0.84MAX	φ0.51	0.25MIN	4
8-1437145-4	FSN-24A-5= JUMPER NOMEM	2.54	101.6	3.18	0.35MAX	0.84MAX	φ0.51	0.25MIN	5
8-1437145-6	FSN-24A-7= JUMPER NOMEM	2.54	101.6	3.18	0.35MAX	0.84MAX	φ0.51	0.25MIN	7
8-1437145-8	FSN-24A-8= JUMPER NOMEM	2.54	101.6	3.18	0.35MAX	0.84MAX	φ0.51	0.25MIN	8
2-1447188-2	FSN-25A-10= JUMPER NOMEM	2.54	127.0	3.18	0.35MAX	0.84MAX	φ0.51	0.25MIN	10
2-1447188-4	FSN-25A-11= JUMPER NOMEM	2.54	127.0	3.18	0.35MAX	0.84MAX	φ0.51	0.25MIN	11
2-1447188-8	FSN-25A-15= JUMPER NOMEM	2.54	127.0	3.18	0.35MAX	0.84MAX	φ0.51	0.25MIN	15
3-1447188-3	FSN-25A-20= JUMPER NOMEM	2.54	127.0	3.18	0.35MAX	0.84MAX	φ0.51	0.25MIN	20
3-1447188-6	FSN-25A-22= JUMPER NOMEM	2.54	127.0	3.18	0.35MAX	0.84MAX	φ0.51	0.25MIN	22
4-1447188-0	FSN-25A-3= JUMPER NOMEM	2.54	127.0	3.18	0.35MAX	0.84MAX	φ0.51	0.25MIN	3
4-1447188-7	FSN-25A-6= JUMPER NOMEM	2.54	127.0	3.18	0.35MAX	0.84MAX	φ0.51	0.25MIN	6
4-1447188-9	FSN-25A-7= JUMPER NOMEM	2.54	127.0	3.18	0.35MAX	0.84MAX	φ0.51	0.25MIN	7
9-1437146-1	FSN-26A-12= JUMPER NOMEM	2.54	152.4	3.18	0.35MAX	0.84MAX	φ0.51	0.25MIN	12
9-1437146-3	FSN-26A-1= JUMPER NOMEM	2.54	152.4	3.18	0.35MAX	0.84MAX	φ0.51	0.25MIN	14
9-1437146-6	FSN-26A-18= JUMPER NOMEM	2.54	152.4	3.18	0.35MAX	0.84MAX	φ0.51	0.25MIN	16
6-1447188-3	FSN-26A-2= JUMPER NOMEM	2.54	152.4	3.18	0.35MAX	0.84MAX	φ0.51	0.25MIN	2
1437147-9	FSN-26A-4= JUMPER NOMEM	2.54	152.4	3.18	0.35MAX	0.84MAX	φ0.51	0.25MIN	4
1-1437147-1	FSN-26A-5= JUMPER NOMEM	2.54	152.4	3.18	0.35MAX	0.84MAX	φ0.51	0.25MIN	5
1-1437147-3	FSN-26A-7= JUMPER NOMEM	2.54	152.4	3.18	0.35MAX	0.84MAX	φ0.51	0.25MIN	7
6-1447188-8	FSN-26A-8= JUMPER NOMEM	2.54	152.4	3.18	0.35MAX	0.84MAX	φ0.51	0.25MIN	8
8-1437147-9	FSN-28A-3= JUMPER NOMEM	2.54	203.2	3.18	0.35MAX	0.84MAX	φ0.51	0.25MIN	3
9-1437147-1	FSN-28A-4= JUMPER NOMEM	2.54	203.2	3.18	0.35MAX	0.84MAX	φ0.51	0.25MIN	4
9-1437147-2	FSN-28A-5= JUMPER NOMEM	2.54	203.2	3.18	0.35MAX	0.84MAX	φ0.51	0.25MIN	5
9-1447188-0	FSN-29A-4= JUMPER NOMEM	2.54	228.6	3.18	0.35MAX	0.84MAX	φ0.51	0.25MIN	4
4-1437148-7	FSN-31A-3= JUMPER NOMEM	3.18	25.4	3.18	0.35MAX	0.84MAX	φ0.51	0.25MIN	3
8-1437149-9	FSN-52A-17= JUMPER NOMEM	5.08	50.8	3.18	0.35MAX	0.84MAX	φ0.51	0.25MIN	17
9-1437149-9	FSN-52A-2= JUMPER NOMEM	5.08	50.8	3.18	0.35MAX	0.84MAX	φ0.51	0.25MIN	2

THIS DRAWING IS A CONTROLLED DOCUMENT.

DWN -
CHK -
APVD -

SEE SHEET 1

NAME: FLEXSTRIP JUMPER

PRODUCT SPEC: 108-78002

APPLICATION SPEC: -

WEIGHT: 0

CUSTOMER DRAWING

STE TE Connectivity

SIZE: A3 CAGE CODE: 00779 DRAWING NO: 1447169 RESTRICTED TO: -

SCALE: NTS SHEET: 9 OF 9 REV: A6

X-ON Electronics

Largest Supplier of Electrical and Electronic Components

Click to view similar products for [Crimpers](#) category:

Click to view products by [TE Connectivity](#) manufacturer:

Other Similar products are found below :

[576771-1](#) [576788-2](#) [010-0041](#) [010-0055](#) [010-0096](#) [604228-1](#) [M225202-37](#) [CT150-2-D02](#) [CT150-4-LY2](#) [CT150-6-RH07](#) [M322](#) [63484-3701](#)
[63800-0140](#) [63800-8355](#) [63811-3275](#) [63811-3376](#) [63811-6375](#) [63811-6475](#) [63811-7875](#) [63811-8175](#) [63811-8875](#) [63819-0475](#) [63819-1875](#)
[63819-2875](#) [63819-4375](#) [63819-4475](#) [63823-3475](#) [63823-5175](#) [63823-6375](#) [63823-8375](#) [63827-5375](#) [64001-0975](#) [64001-2175](#) [64001-4175](#)
[662903-2](#) [690142-4](#) [690602-6](#) [D38999/20WA98JB-LC](#) [7-1633664-2](#) [7-22278-0](#) [7-22280-5](#) [7-240641-3](#) [762637-1](#) [808714-1](#) [8-1633117-3](#)
[853721-6](#) [91362-1](#) [995-0001-187](#) [1-1633932-5](#) [999-50-020083](#)