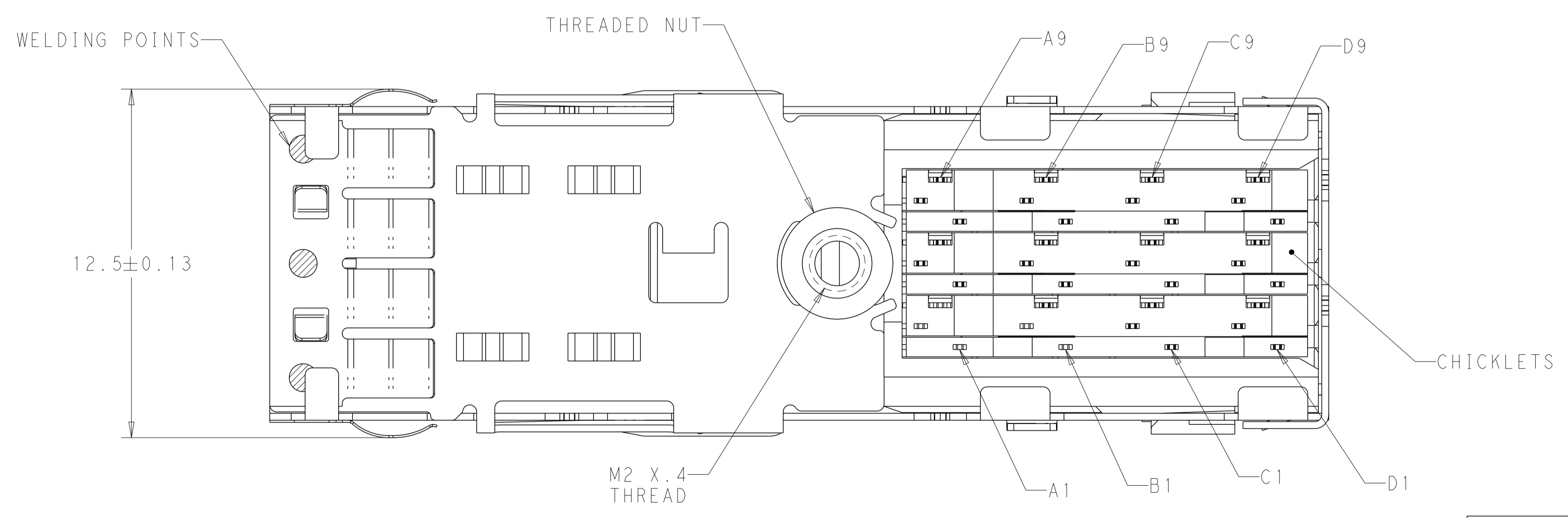
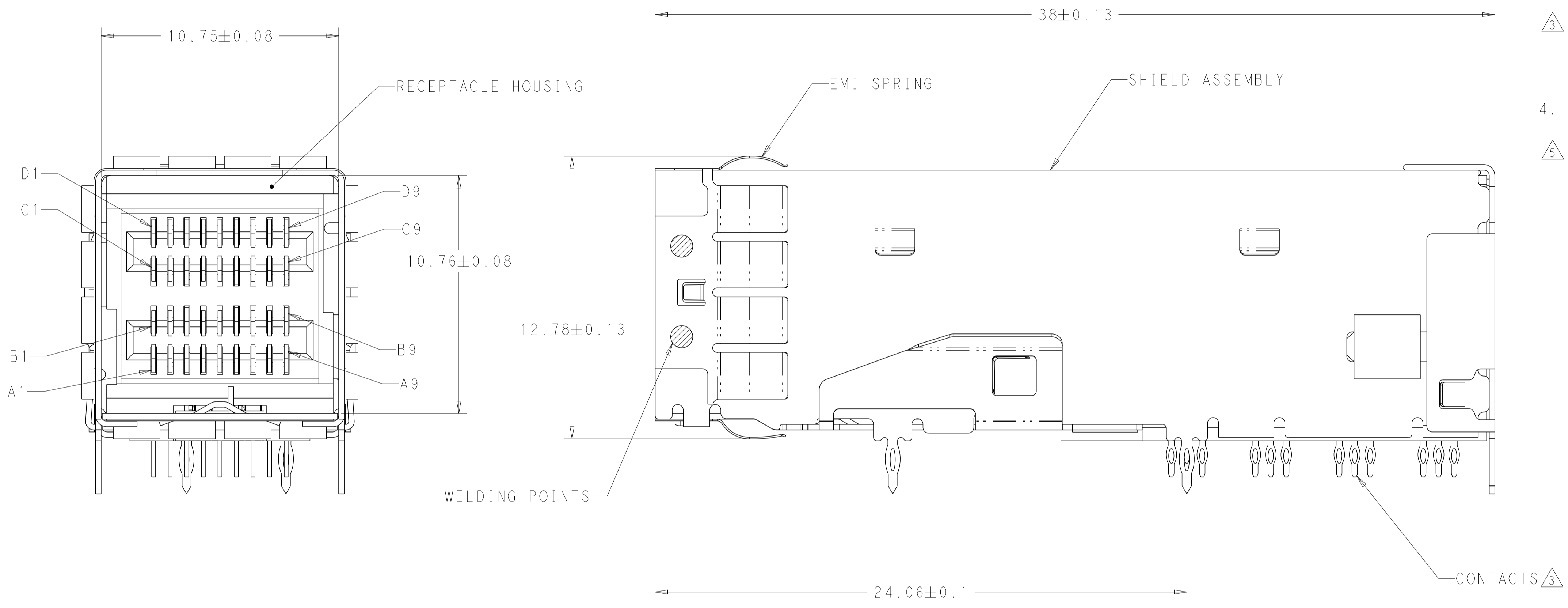


LOC	DIST	REVISIONS			
P	LTN	DESCRIPTION	DATE	DWN	APVD
AG	00				
A		REVISED PER ECO-14-018497	16DEC2014	AP	DG
B		REVISED PER ECO-16-006344	26APR2016	JY	SH

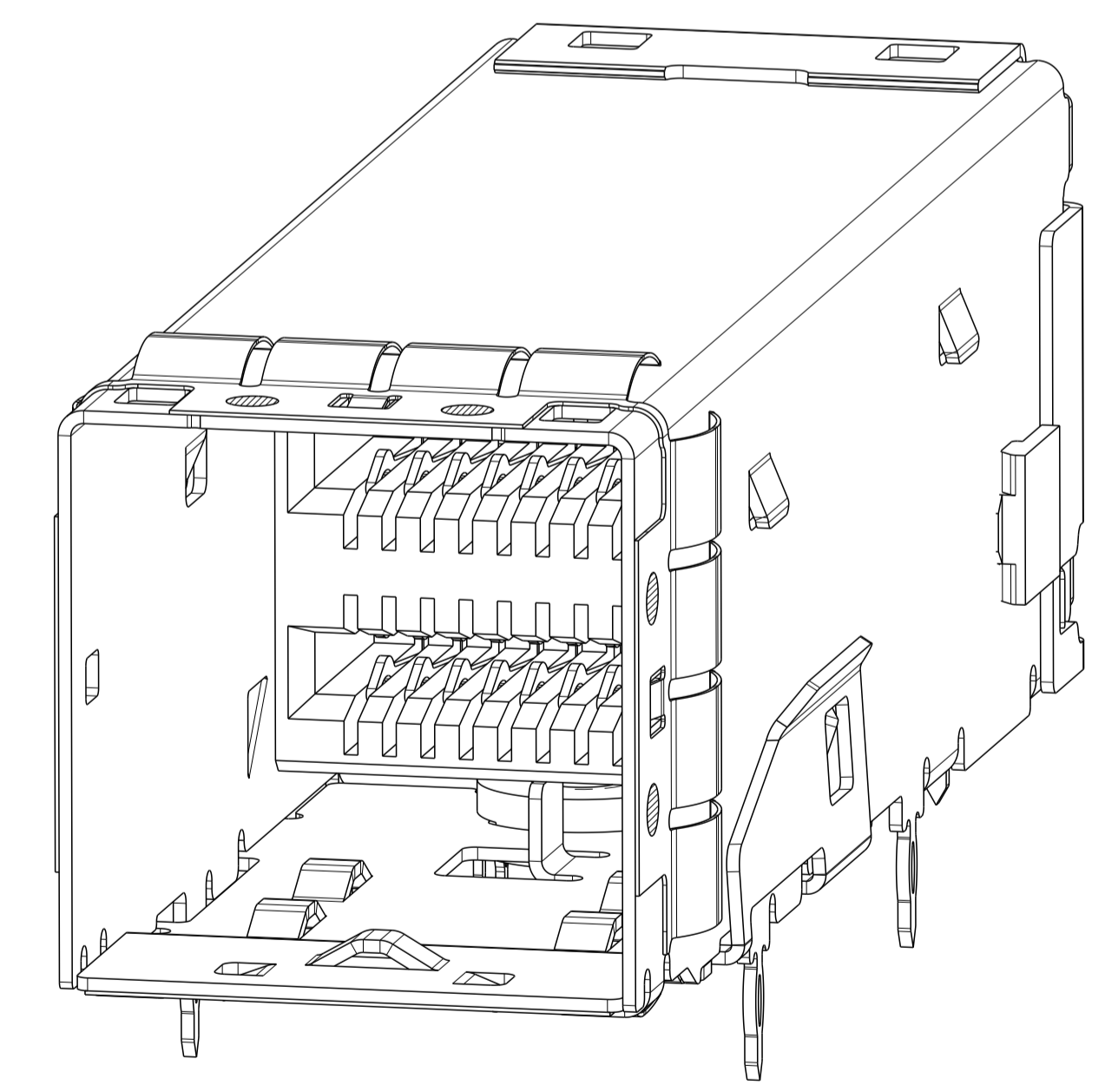
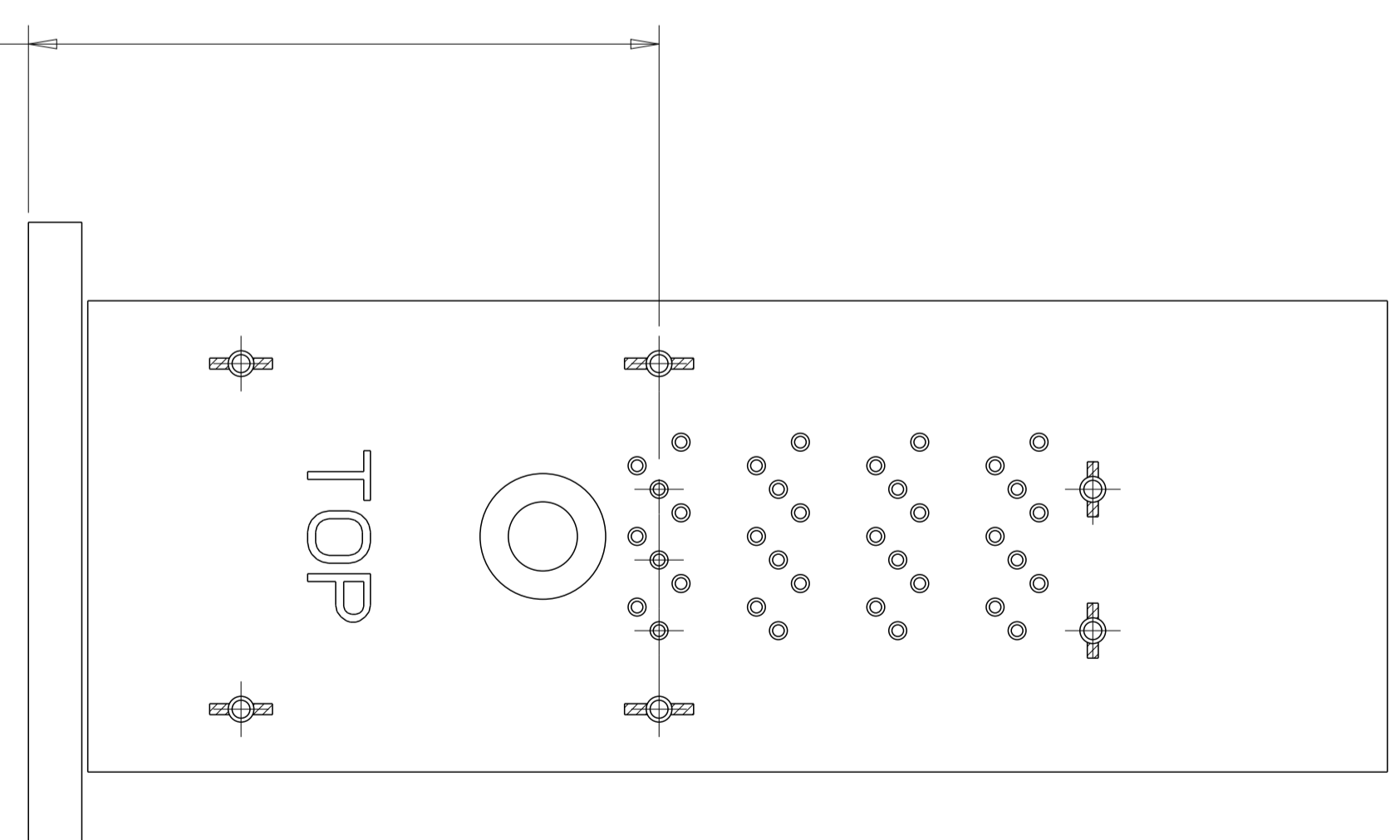
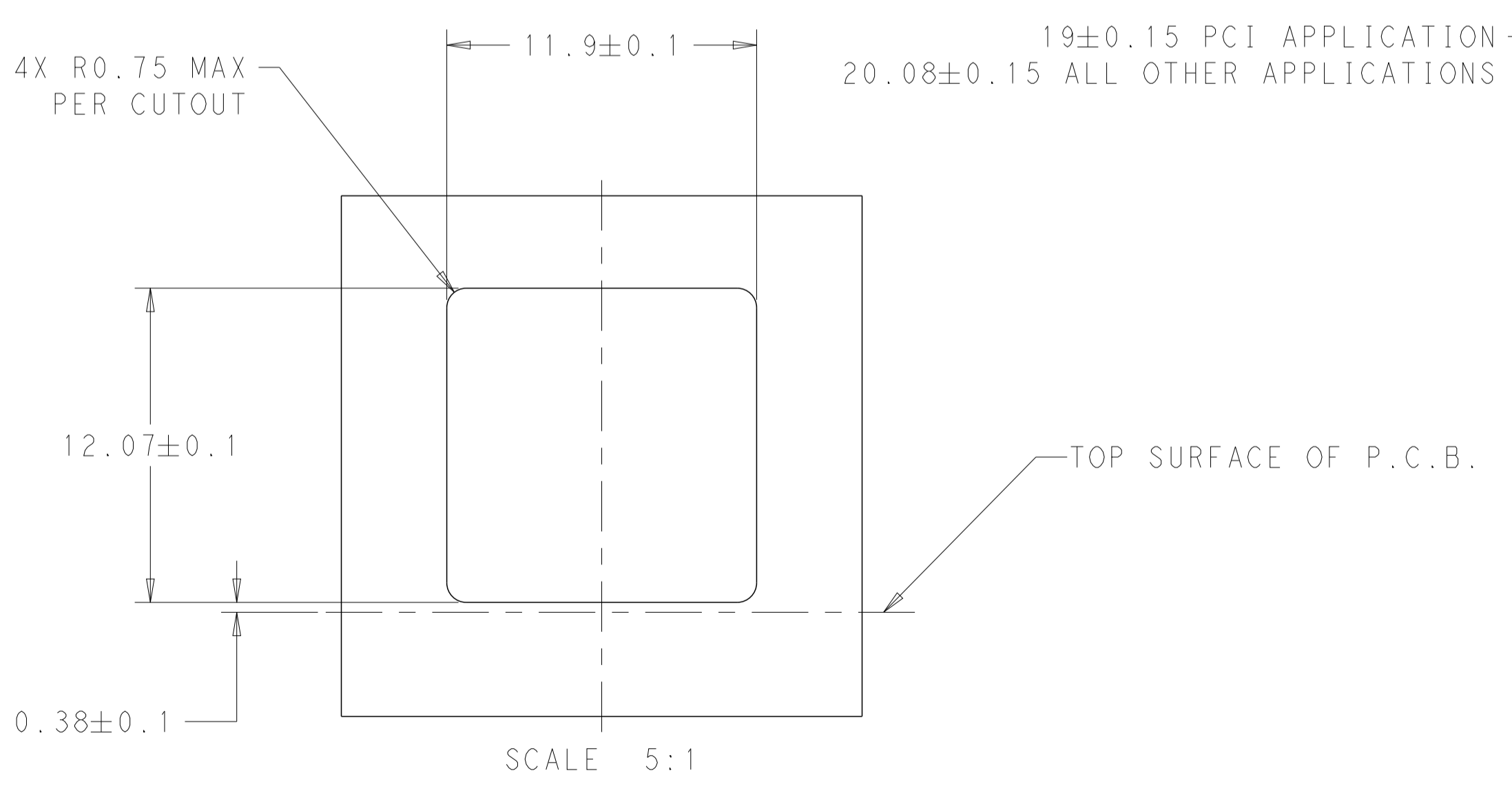
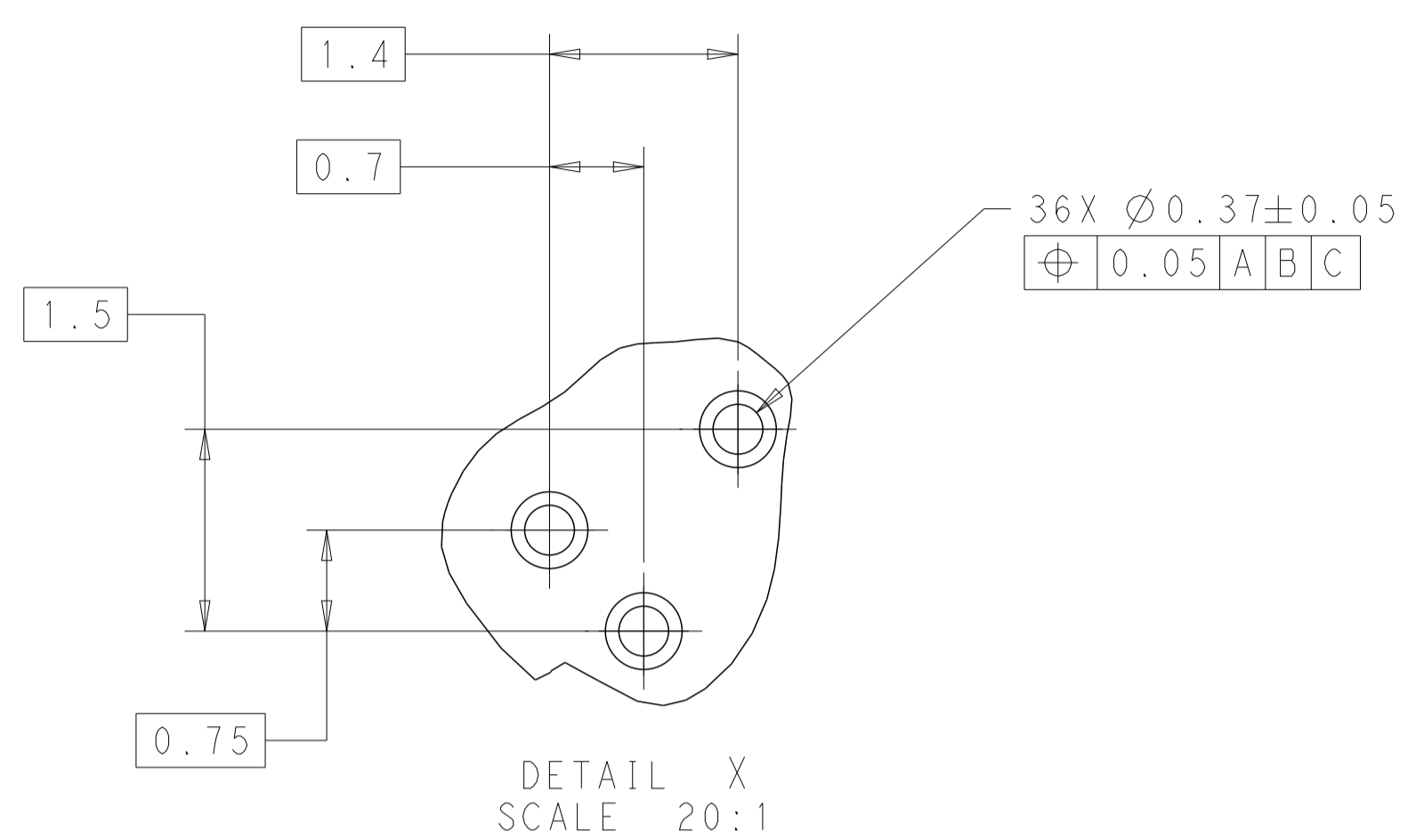
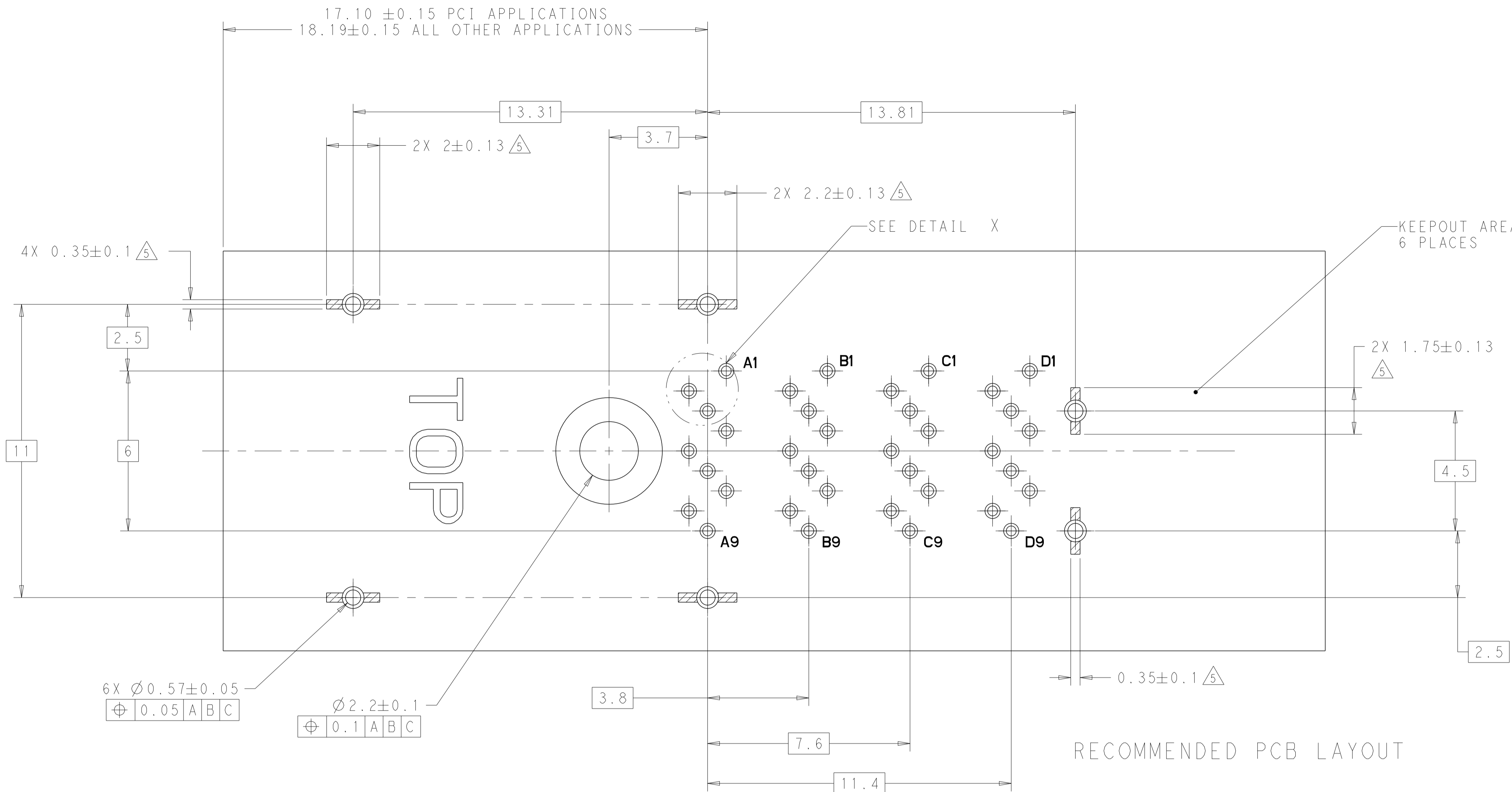
1. MATERIALS  
 RECEPTACLE HOUSING, LCP, BLACK, UL94V-0 RATED  
 SHIELD ASSEMBLY: NICKEL SILVER COPPER ALLOY  
 CONTACTS: COPPER ALLOY  
 EMI SPRING: COPPER ALLOY  
 THREADED NUT: BRASS  
 CHICKLETS: LCP, BLACK, UL 94V-0 RATED
2. FINISH  
 EMI SPRING: TIN PLATE OVER NICKEL PLATE  
 NON-PLATED EDGES PERMISSABLE  
 THREADED NUT: NICKEL PLATE
3. CONTACT FINISH: CONFORMS TO THE REQUIREMENTS OF TE PRODUCT SPECIFICATION, 108-2462. BASED ON EIA/ECA-364-1000.01A. (CONTROLLED ENVIRONMENT APPLICATIONS) ON MATING END. TIN PLATED ON PCB TAIL
4. THREAD LENGTH OF FASTENER = PCB THICKNESS + 1.45 MAX
5. RECOMMENDED TRACE KEEP OUT ZONE



2149027-1  
 PART NUMBER

THIS DRAWING IS A CONTROLLED DOCUMENT.		DWN P. KERLIN 27JUL2010		
DIMENSIONS: mm		CHK J. SECHRIST 27JUL2010		
TOLERANCES UNLESS OTHERWISE SPECIFIED:		APVD -	NAME RECEPTACLE ASSEMBLY, MINI-SASS HD	
0 PLC $\pm 0.13$		PRODUCT SPEC	-	
1 PLC $\pm$		108-2462	-	
2 PLC $\pm$		APPLICATION SPEC	-	
3 PLC $\pm$		114-13316	RESTRICTED TO	
4 PLC $\pm$		WEIGHT	-	
ANGLES $\pm$		Customer Drawing	SCALE 8:1 SHEET 1 OF 2 REV B	
FINISH		A100779C=2149027		

LOC	DIST	REVISIONS			
P	LYN	DESCRIPTION	DATE	OWN	APVD
-	-	SEE SHEET 1	-	-	-



THIS DRAWING IS A CONTROLLED DOCUMENT.		OWN P. KERLIN 27JUL2010	TE Connectivity NAME RECEPTACLE ASSEMBLY, MINI-SASS HD	
DIMENSIONS:		CHK J. SECHRIST 27JUL2010		
mm	TOLERANCES UNLESS OTHERWISE SPECIFIED:	APVD	PRODUCT SPEC	RESTRICTED TO
Ø	0 PLC ±0.13	108-2462	SIZE CAGE CODE DRAWING NO	A100779C=2149027
	1 PLC ±	APPLICATION SPEC	114-13316	
	2 PLC ±	WEIGHT	Customer Drawing	SCALE 8:1 SHEET 2 OF 2 REV B
	3 PLC ±			
	4 PLC ±			
	ANGLES ±			
	FINISH ±			

## X-ON Electronics

Largest Supplier of Electrical and Electronic Components

*Click to view similar products for [I/O Connectors](#) category:*

*Click to view products by [TE Connectivity](#) manufacturer:*

Other Similar products are found below :

[571763P](#) [58098-0628](#) [72.250.1628.2](#) [72.250.2428.2](#) [74720-0505](#) [76.350.0729.0](#) [76871-1403](#) [FCN-244F080-G/1](#) [FCN-260A9920](#) [PCR-E36PM](#) [PCS-XE26MA+](#) [G38A71314B](#) [1571250010](#) [157-22500-3](#) [MS3471L14-19P L/C](#) [172501-4002](#) [172501-6002](#) [FCN-260C008-A/L0](#) [FCN-260C024-AL0](#) [FCN-261Z008](#) [2000314-1](#) [200331-1](#) [PCR-E36FC+](#) [PCS-E28FS+](#) [PCS-XE26SLFD+](#) [PCS-XE26SLFDT+](#) [G730VID08BDC24](#) [U90B2054081210](#) [38113800006](#) [DP3AR020WQ1R200](#) [Z4.102.0680.0](#) [500-1040](#) [500-1052](#) [500-1054](#) [ZP-4008-66L](#) [0709821002](#) [DX40-20P\(55\)](#) [5554841-1](#) [MS3474W18-8P-LC\\*](#) [U90B3054061110](#) [U65-E04-4020](#) [ZPF000000000097891](#) [747360449](#) [10099439-003C-TRLF](#) [10137239-0021LF](#) [E9320-001-01](#) [10137239-0011LF](#) [70289-001LF](#) [70.060.1028.0](#) [109029-ZZ](#)