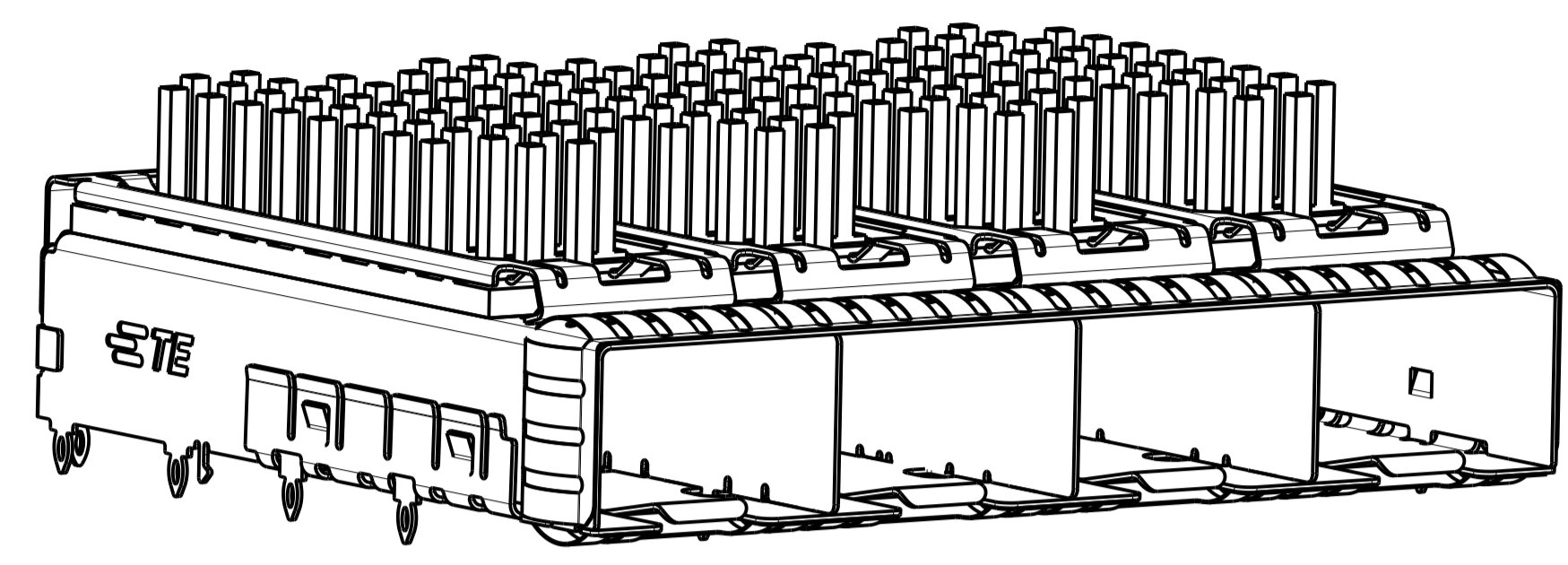
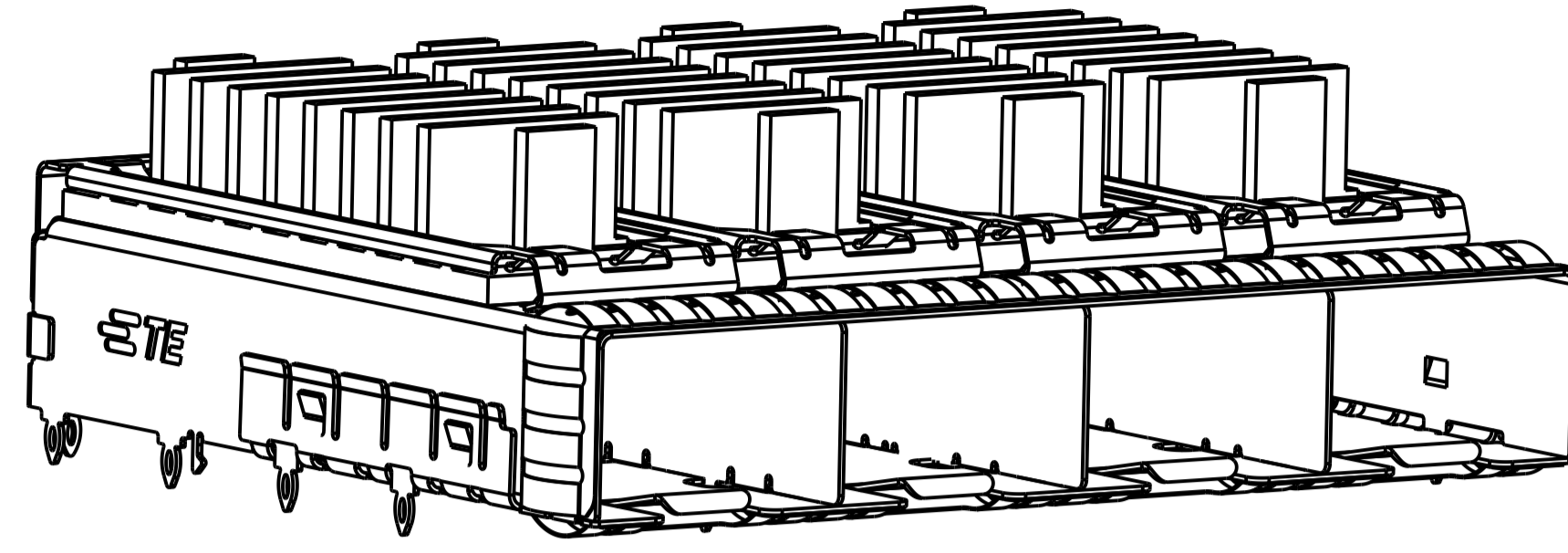


LOC	DIST	REVISIONS					
GP	00	P	LTN	DESCRIPTION	DATE	DWN	APVD
		A3		RELEASED PER ECO-15-006578	20APR2015	PP	SH
		A4		REVISED PER ECR-19-006709	10APR2019	IT	SH
		A5		REVISED PER ECO-20-000404	09JAN2020	IT	SH
		A6		REVISED PER ECR-20-015251	28OCT2020	IT	SH

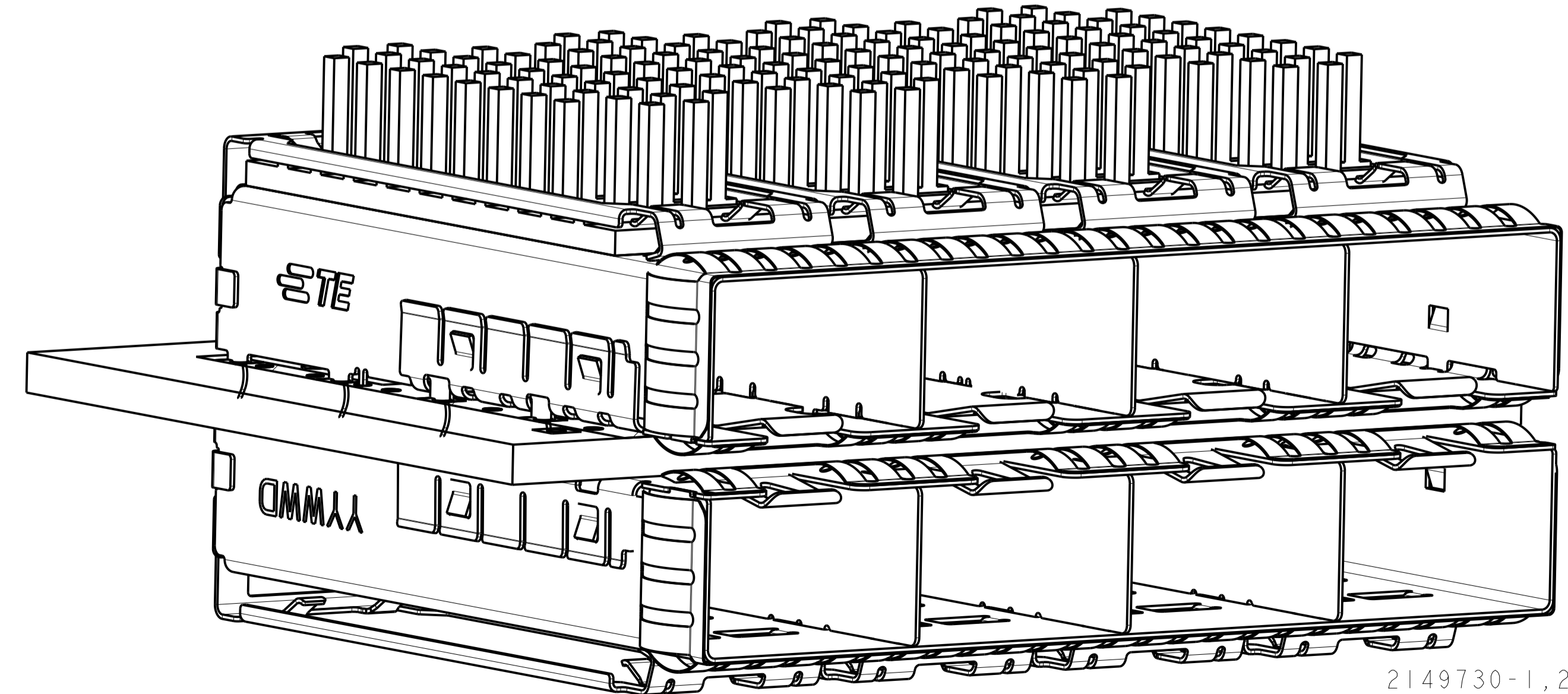
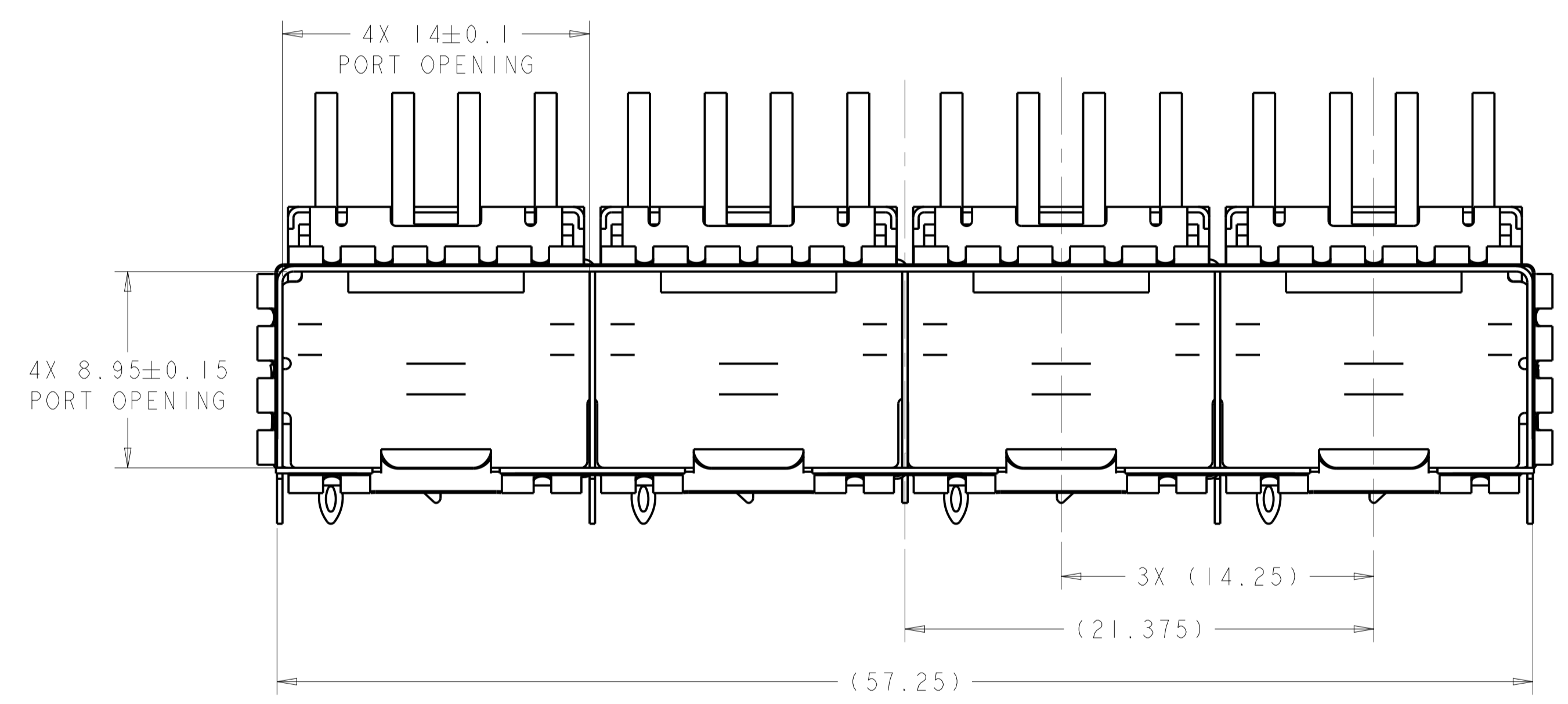
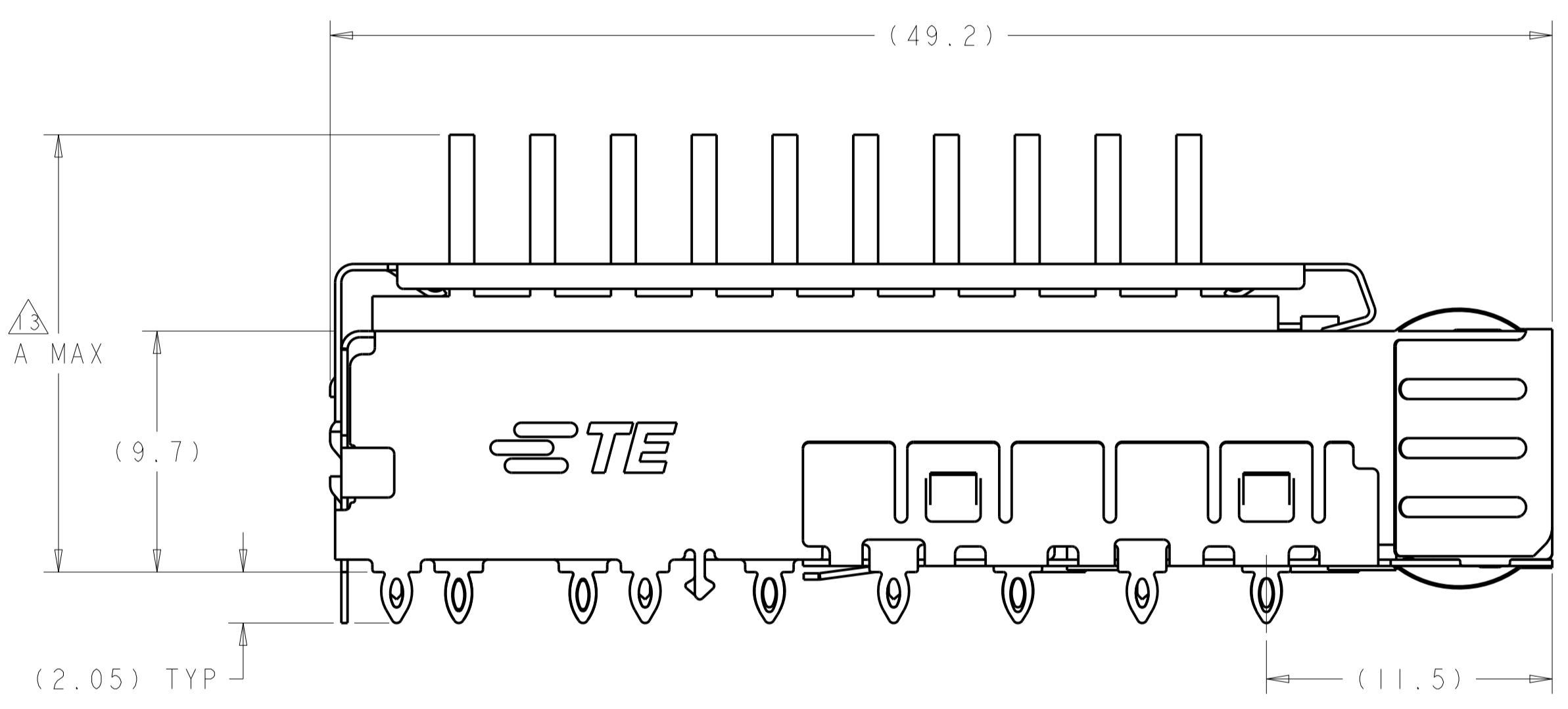


2149730-1,2,3,4,5  
 FINISHED ASSEMBLY WITH  
 PIN TYPE HEAT SINK



2149730-6,7,8,9,10  
 FINISHED ASSEMBLY WITH  
 FIN TYPE HEAT SINK

- 1. MATERIAL:  
 CAGE ASSEMBLY: 0.25mm THICK NICKEL SILVER ALLOY  
 HEATSINK CLIP: STAINLESS STEEL  
 HEATSINK: ALUMINUM
- 2. FINISH:  
 EMI SPRINGS: MINIMUM OF 0.8um TIN PLATE OVER A MINIMUM OF 0.8um NICKEL UNDERPLATE.  
 NON-PLATED EDGES PERMISSIBLE.  
 HEATSINK: ELECTROLESS NICKEL  
 HEATSINK CLIP: PASSIVATE
- 3. PADS AND VIAS CHASSIS GROUND.
- 4. DATUM AND BASIC DIMENSION ESTABLISHED BY CUSTOMER.
- 5. MATES WITH SFP MSA COMPLIANT TRANSCEIVERS.
- 6. INTERPRETATION OF DATUM REFERENCE FRAME IN ACCORDANCE WITH SECT 4.4.1.1 OF ASME Y14.5M-1994.
- 7. REFERENCE APPLICATION SPEC. 114-13120, HOLE A, FOR RECOMMENDED DRILL HOLE DIAMETER AND PLATING THICKNESS.
- 8. REFERENCE APPLICATION SPEC. 114-13120, HOLE B, FOR RECOMMENDED DRILL HOLE DIAMETER AND PLATING THICKNESS.
- 9. HOLE PATTERN REPEATS FOR EACH PORT. SPACING BETWEEN PORTS IS 14.25mm.
- 10. MINIMUM PC BOARD THICKNESS:  
 SINGLE SIDED = 1.50mm  
 DOUBLE SIDED = 2.25mm
- 11. CERTAIN MATING TRANSCEIVERS MAY REQUIRE ADDITIONAL PCB THICKNESS THAT WOULD BE DETERMINED BY THE CUSTOMER.
- 12. PRODUCT COMPLIES WITH SPECIFICATION SFF-8433 IMPROVED PLUGGABLE FORM FACTOR FOR SFP+ GANGED CAGES.
- 13. DIMENSION APPLIES PRIOR TO INSERTION OF SFP MODULE



2149730-1,2,3,4,5  
 MOUNTED BELLY TO BELLY ON PCB  
 SCALE 4:1

FIN TYPE	W/O INSULATING TAPE	N/A	CUSTOMIZED	1-2149730-3
PIN TYPE	W/O INSULATING TAPE	N/A	CUSTOMIZED	1-2149730-2
PIN TYPE	W/O INSULATING TAPE	N/A	CUSTOMIZED	1-2149730-1
FIN TYPE	W/ INSULATING TAPE	22.5	NETWORKING, TALL	2149730-10
FIN TYPE	W/O INSULATING TAPE	22.5	NETWORKING, TALL	2149730-9
FIN TYPE	W/O INSULATING TAPE	15.5	SAN	2149730-8
FIN TYPE	W/O INSULATING TAPE	13.2	PCI	2149730-7
FIN TYPE	W/O INSULATING TAPE	18.1	NETWORKING, SHORT	2149730-6
PIN TYPE	W/ INSULATING TAPE	22.5	NETWORKING, TALL	2149730-5
PIN TYPE	W/O INSULATING TAPE	22.5	NETWORKING, TALL	2149730-4
PIN TYPE	W/O INSULATING TAPE	15.5	SAN	2149730-3
PIN TYPE	W/O INSULATING TAPE	13.2	PCI	2149730-2
PIN TYPE	W/O INSULATING TAPE	18.1	NETWORKING, SHORT	2149730-1
HEAT SINK TYPE	DESCRIPTION	A MAX	APPLICATION	PART NUMBER

THIS DRAWING IS A CONTROLLED DOCUMENT. DWG: M. SCHMITT 23AUG2010  
 CHK: M. SCHMITT 23AUG2010  
 APVD: B. WERTZ 23AUG2010

TE Connectivity

NAME: SFP+ ENHANCED 1X4 CAGE ASSEMBLY PRESS FIT, EXTERNAL EMI SPRINGS WITH HEATSINK

PRODUCT SPEC: 108-2364  
 APPLICATION SPEC: 114-13120

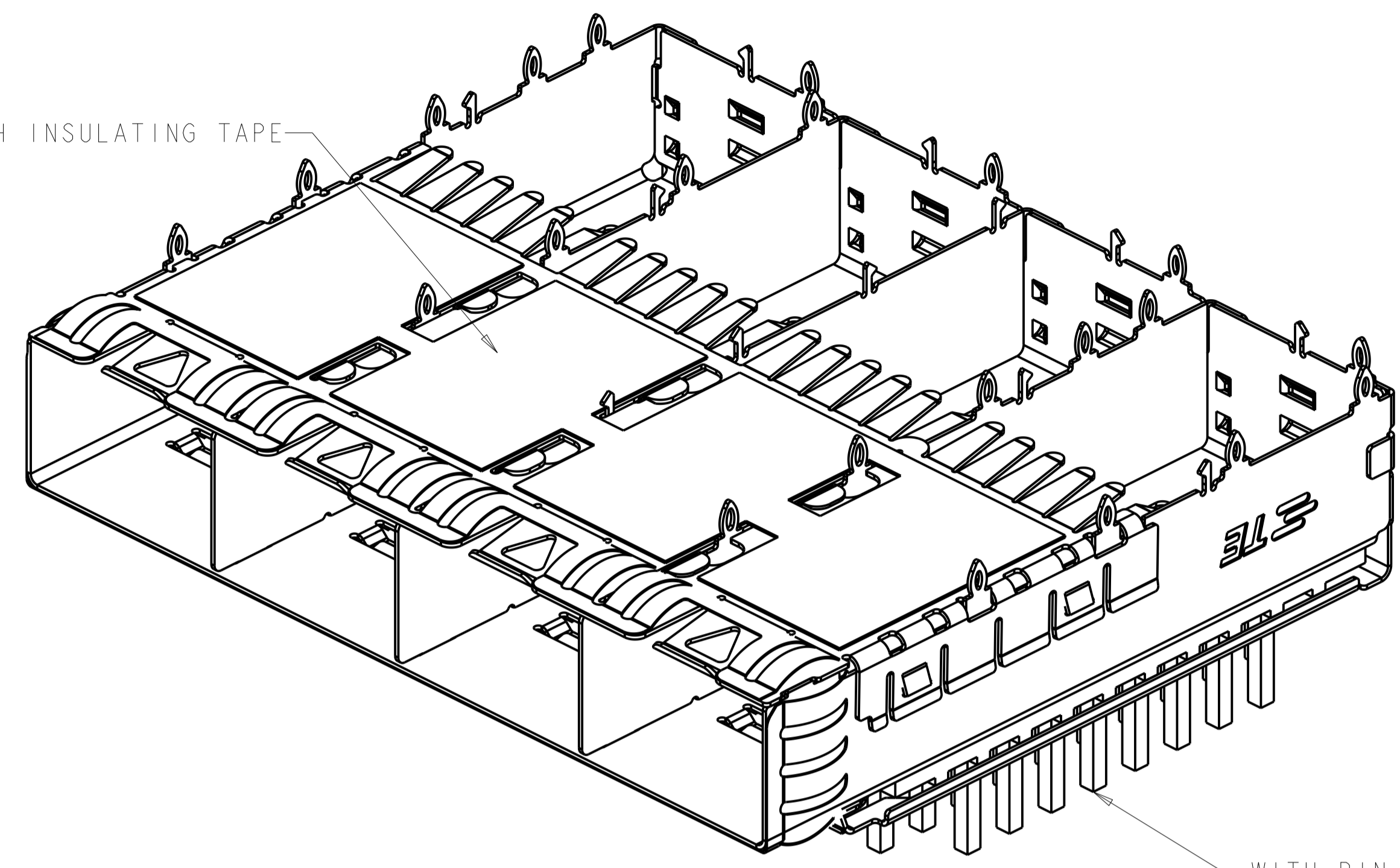
SIZE: CAGE CODE DRAWING NO: A100779  
 DRAWING NO: C=2149730

RESTRICTED TO: -

Customer Drawing SCALE: 5:1 SHEET 1 OF 8 REV: A6

LOC	DIST	REVISIONS					
GP	00	P	LYR	DESCRIPTION	DATE	DWN	APVD
		-	-	SEE SHEET 1	-	-	-

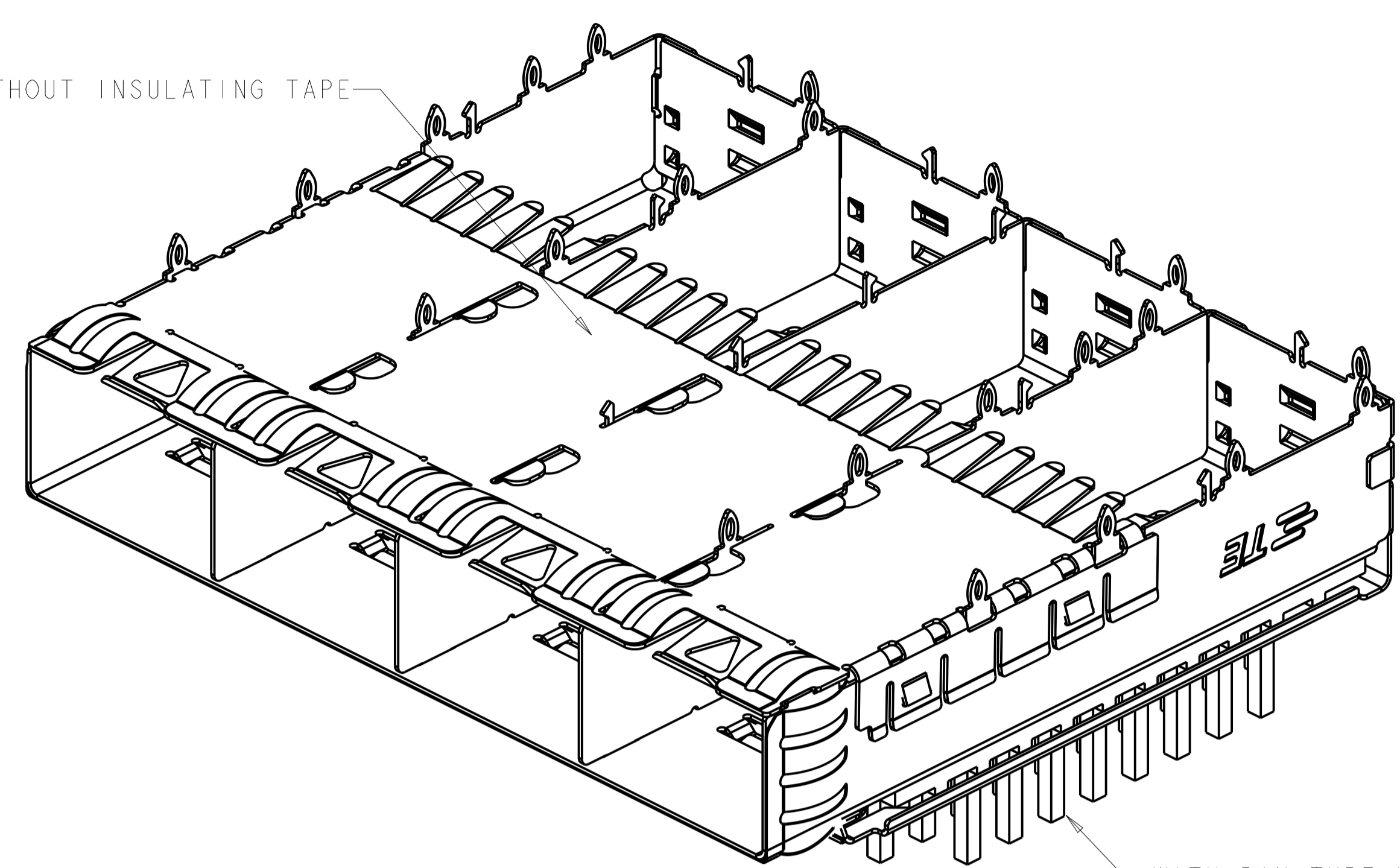
WITH INSULATING TAPE



WITH PIN TYPE HEAT SINK

2149730-5 AS SHOWN WITH INSULATING TAPE, WITH PIN TYPE HEAT SINK

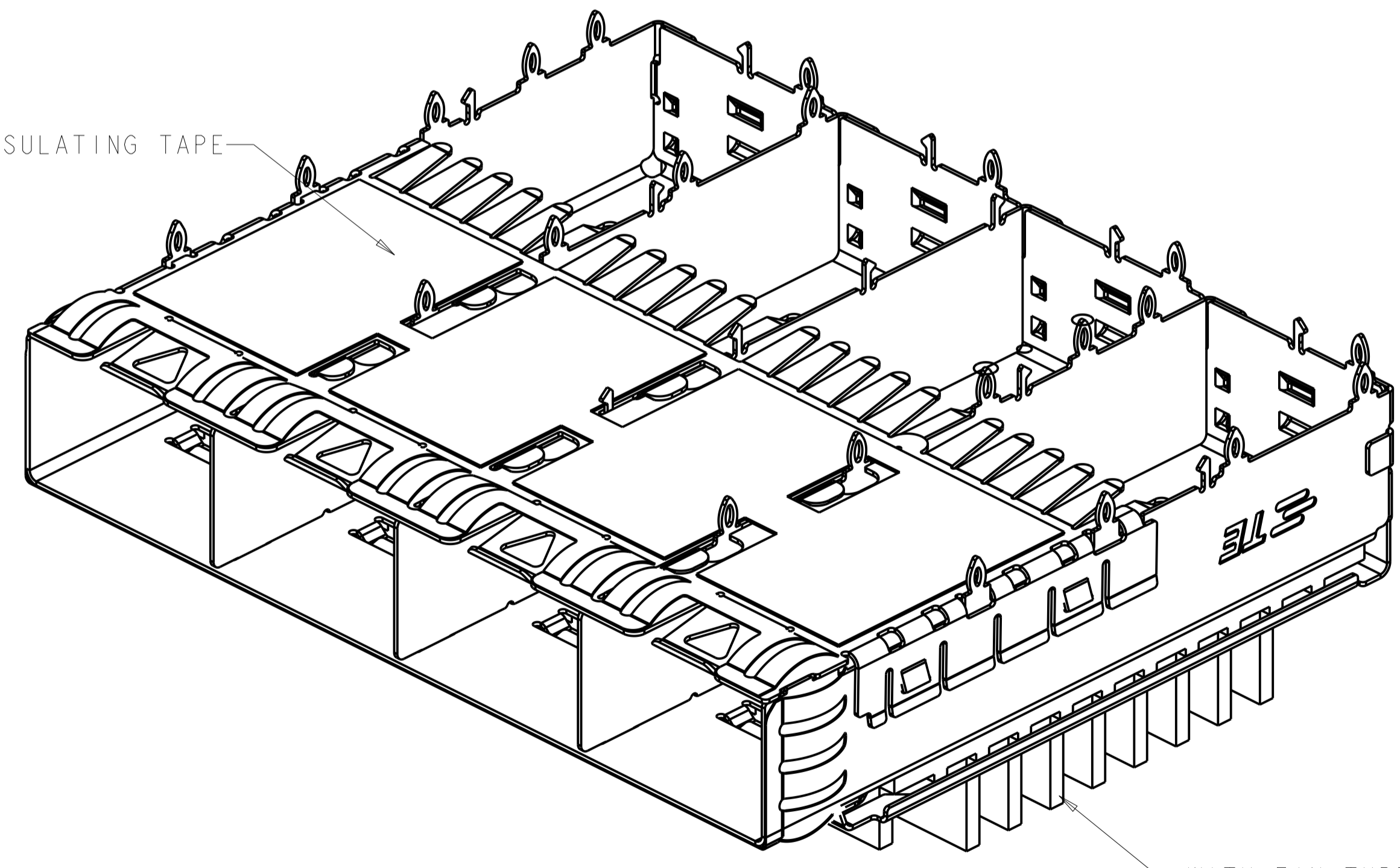
WITHOUT INSULATING TAPE



WITH PIN TYPE HEAT SINK

2149730-1,2,3,4 AS SHOWN WITHOUT INSULATING TAPE, WITH PIN TYPE HEAT SINK

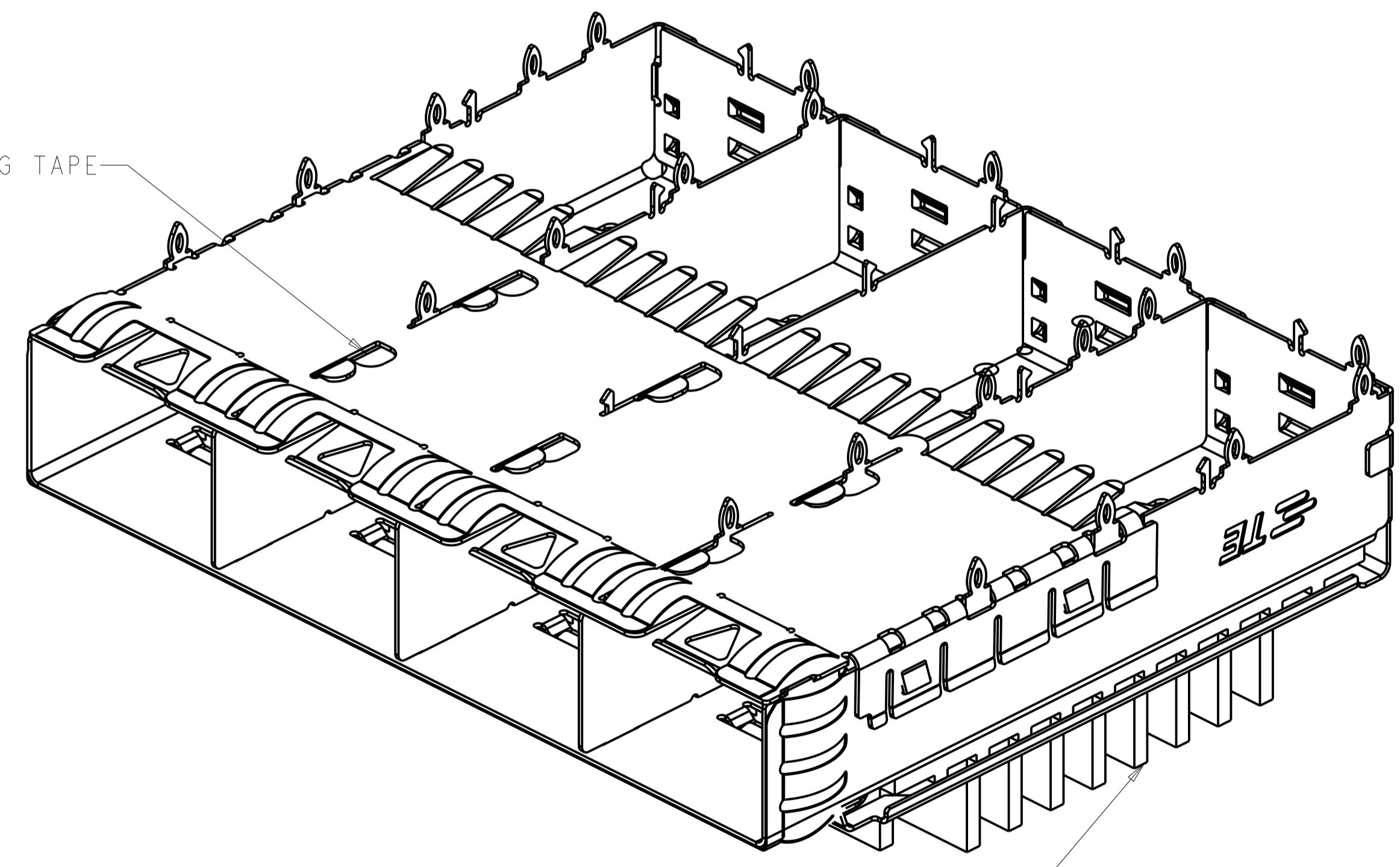
WITH INSULATING TAPE



WITH FIN TYPE HEAT SINK

2149730-10 AS SHOWN WITH INSULATING TAPE, WITH FIN TYPE HEAT SINK

WITHOUT INSULATING TAPE



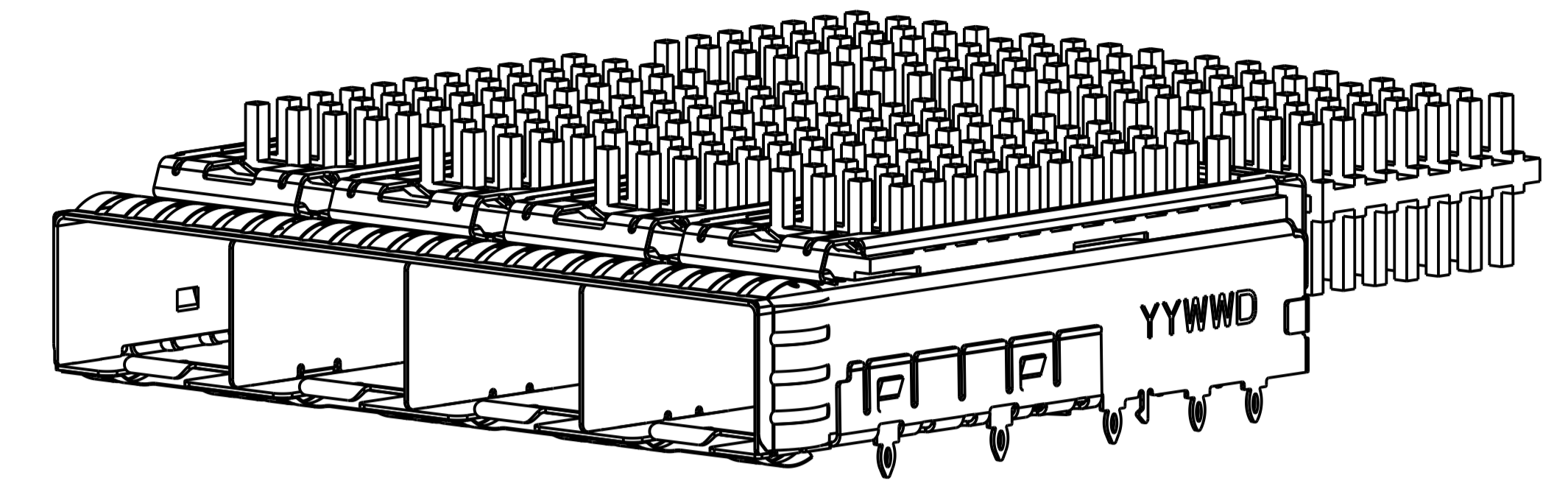
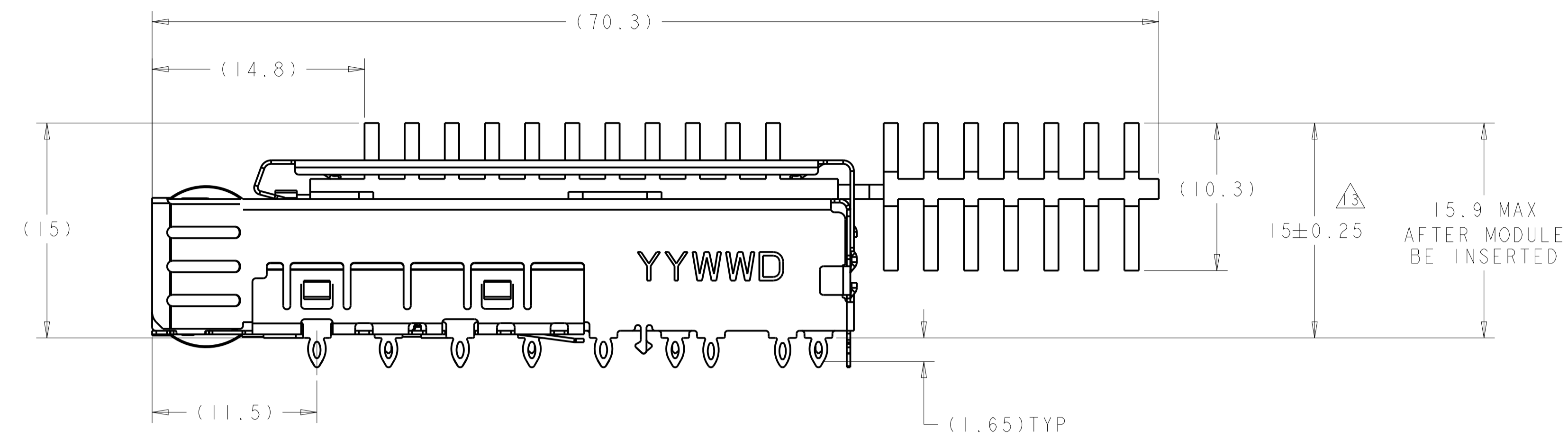
WITH FIN TYPE HEAT SINK

2149730-6,7,8,9 AS SHOWN WITHOUT INSULATING TAPE, WITH FIN TYPE HEAT SINK

THIS DRAWING IS A CONTROLLED DOCUMENT.		OWN M. SCHMITT 23AUG2010	<b>STE</b> TE Connectivity
DIMENSIONS:		CHK M. SCHMITT 23AUG2010	
mm	TOLERANCES UNLESS OTHERWISE SPECIFIED:	APVD B. WERTZ 23AUG2010	NAME SFP+ ENHANCED 1X4 CAGE ASSEMBLY PRESS FIT, EXTERNAL EMI SPRINGS WITH HEATSINK
0 PLC	±0.1	PRODUCT SPEC	SIZE CAGE CODE DRAWING NO RESTRICTED TO
1 PLC	±0.1	108-2364	A100779C=2149730
2 PLC	±0.1	APPLICATION SPEC	WEIGHT
3 PLC	±0.1	114-13120	Customer Drawing
4 PLC	±0.1	FINISH	SCALE 5:1 SHEET 2 OF 8 REV A6
ANGLES	±1°		

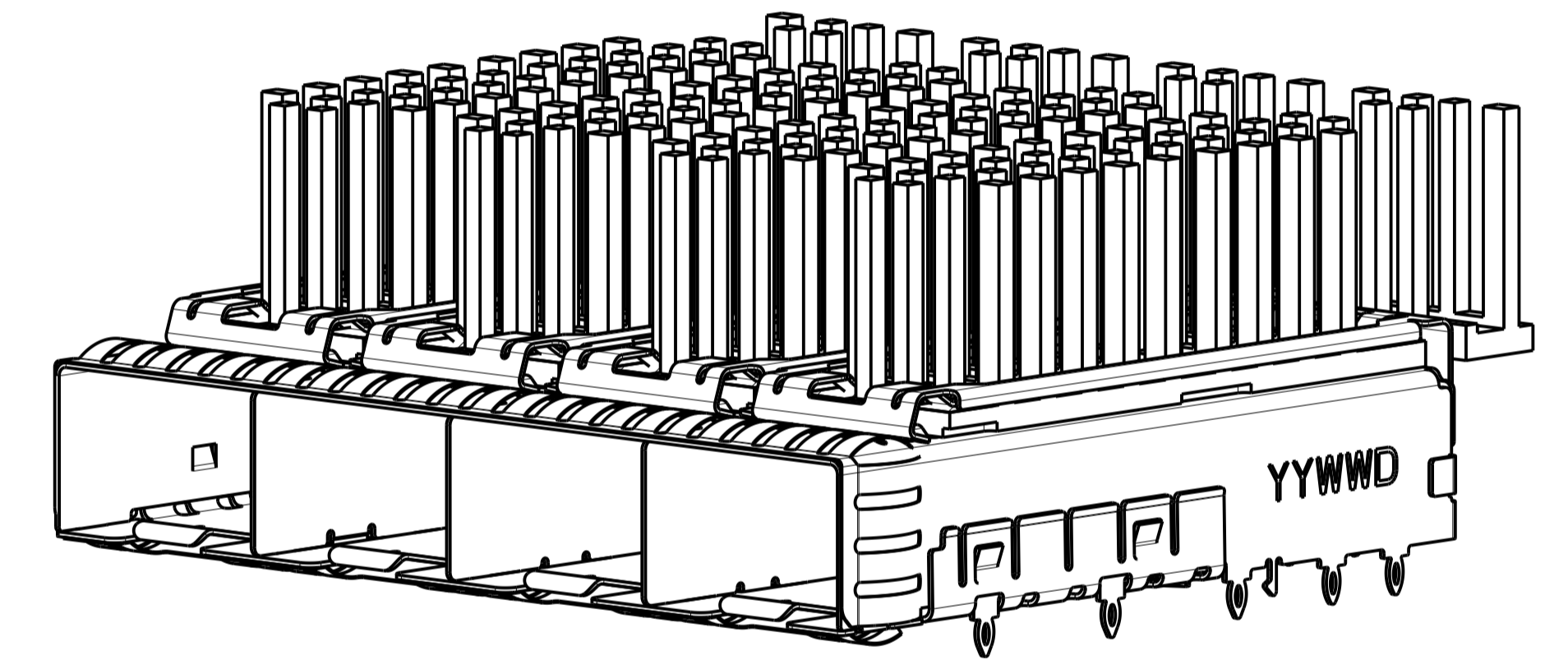
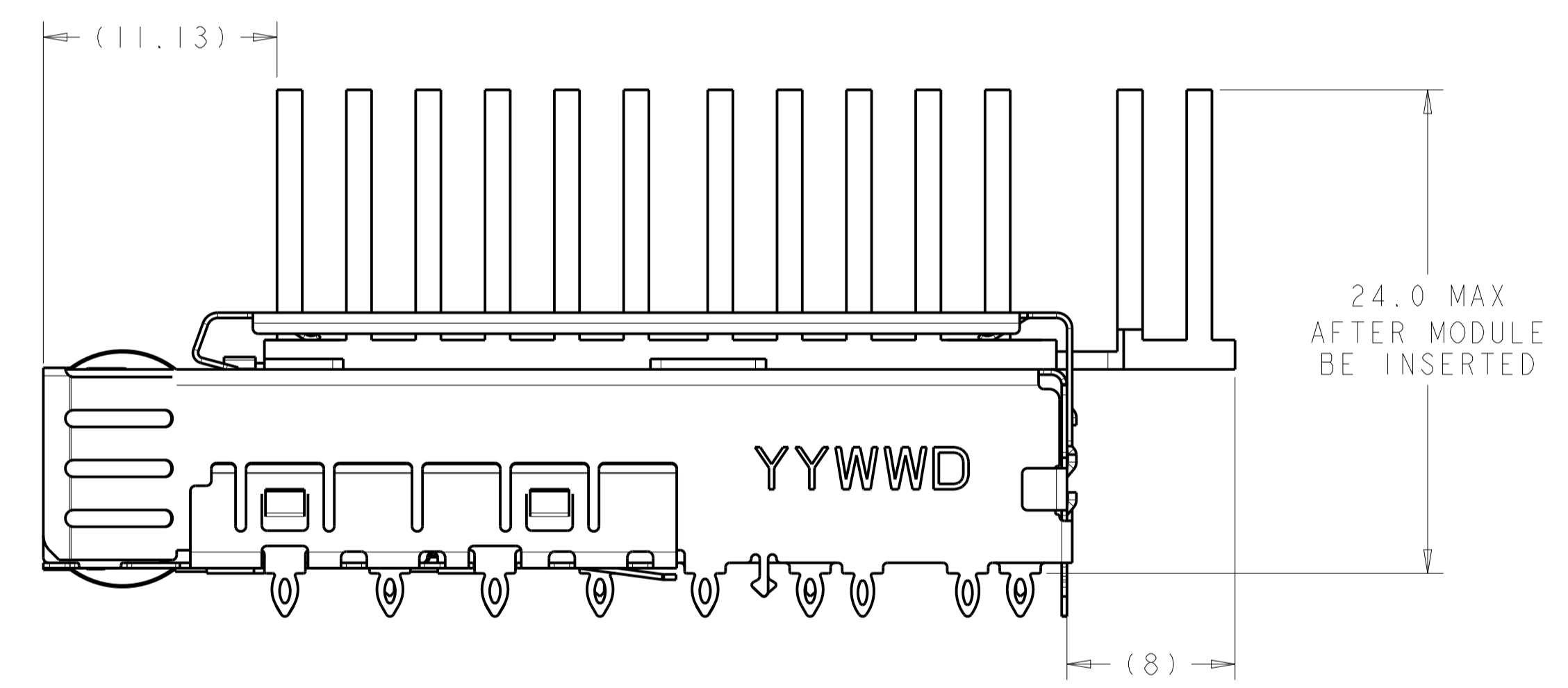
LOC		DIST		REVISIONS			
GP	00	P	LTN	DESCRIPTION	DATE	DWN	APVD
		-	-	SEE SHEET 1	-	-	-

1-2149730-1 AS SHOWN  
UNMARKED SAME AS 2149730-1



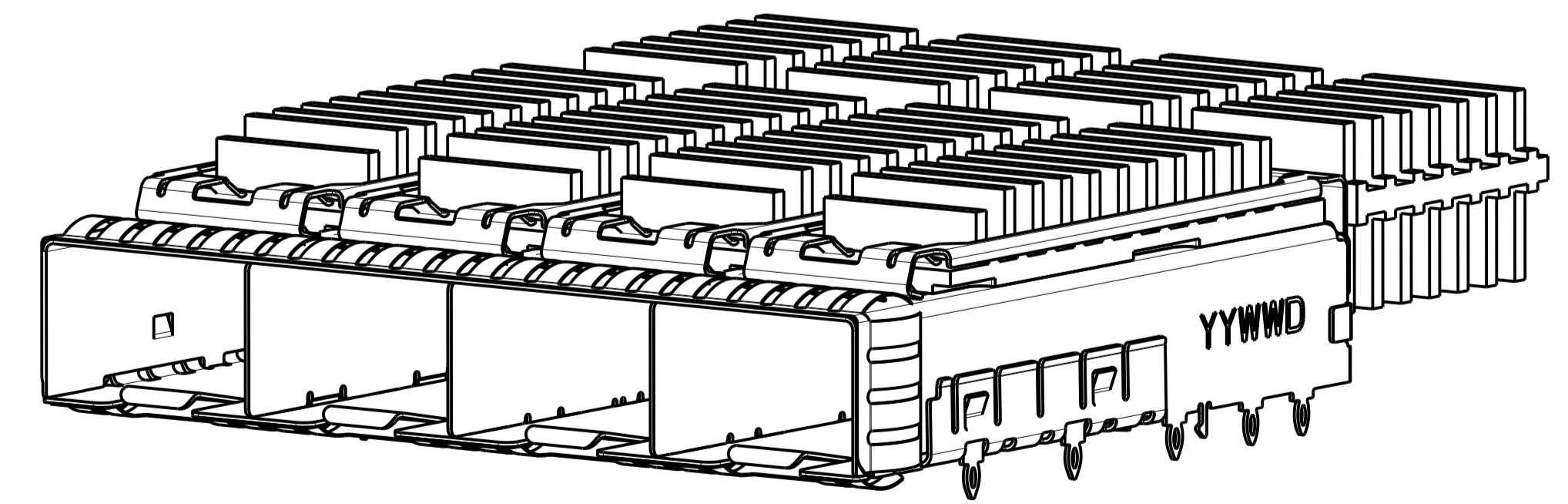
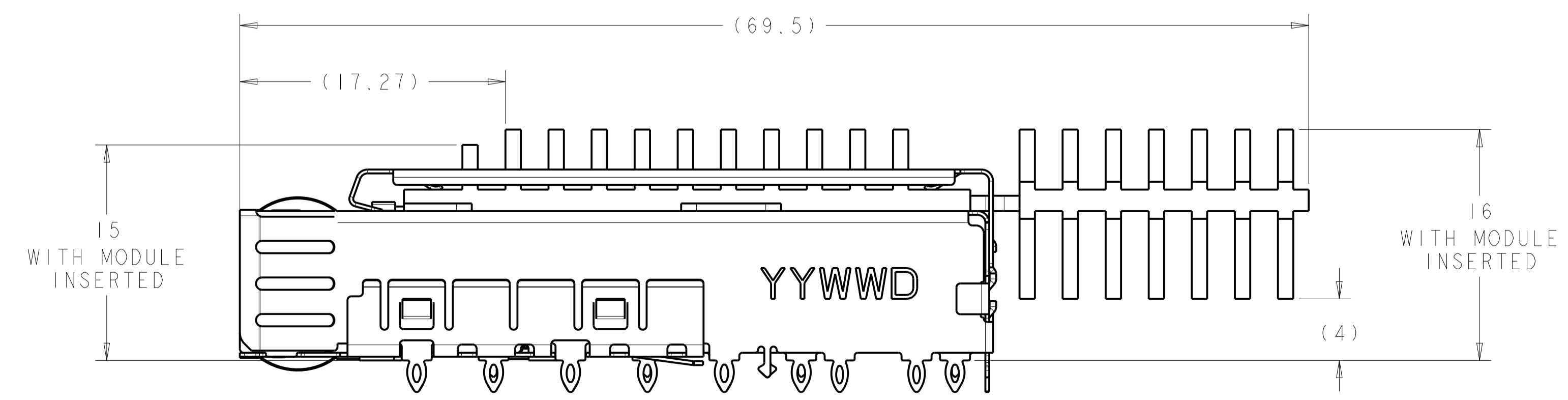
1-2149730-1 3D VIEW  
SCALE 3:1

1-2149730-2 AS SHOWN  
UNMARKED SAME AS 2149730-1



1-2149730-2 3D VIEW  
SCALE 3:1

1-2149730-3 AS SHOWN  
UNMARKED SAME AS 2149730-1



1-2149730-3 3D VIEW  
SCALE 3:1

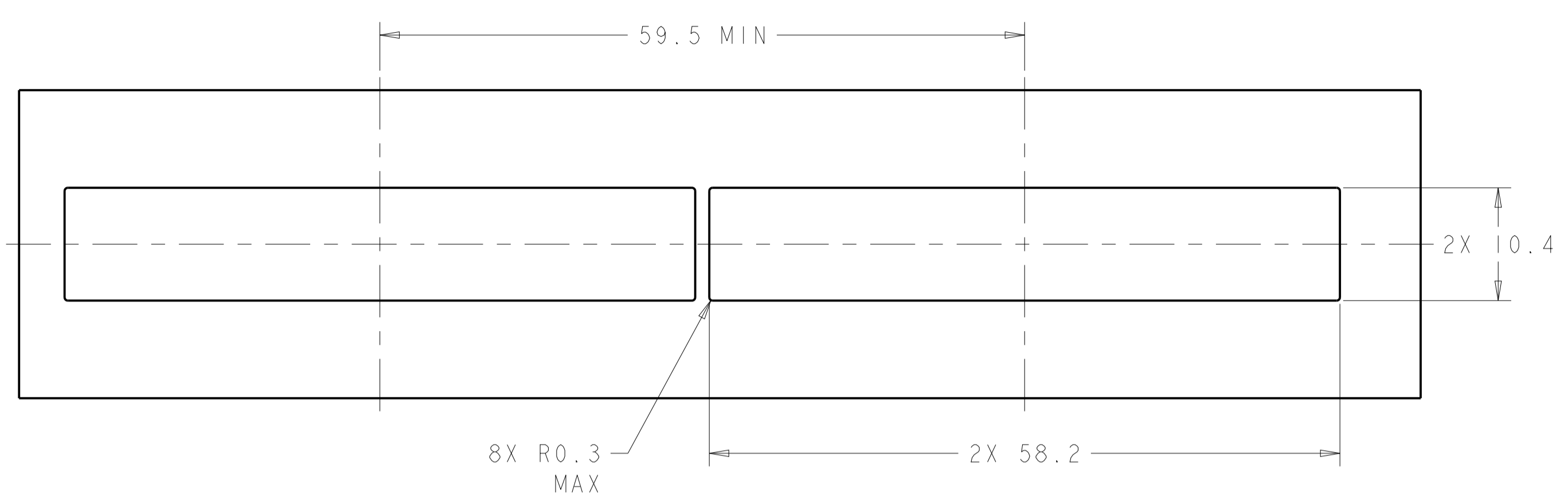
SCALE 4:1

THIS DRAWING IS A CONTROLLED DOCUMENT.		DWN: M. SCHMITT 23AUG2010	TE Connectivity
DIMENSIONS: mm		CHK: M. SCHMITT 23AUG2010	
TOLERANCES UNLESS OTHERWISE SPECIFIED:		APVD: B. WERTZ 23AUG2010	NAME: SFP+ ENHANCED 1X4 CAGE ASSEMBLY PRESS FIT, EXTERNAL EMI SPRINGS WITH HEATSINK
0 PLC	±0.1	PRODUCT SPEC	SIZE: CAGE CODE DRAWING NO
1 PLC	±0.1	108-2364	A100779C=2149730
2 PLC	±0.1	APPLICATION SPEC	RESTRICTED TO
3 PLC	±0.1	114-13120	SCALE 5:1 SHEET 3 OF 8 REV A6
4 PLC	±0.1	WEIGHT	
ANGLES	±1°	Customer Drawing	
MATERIAL	FINISH		

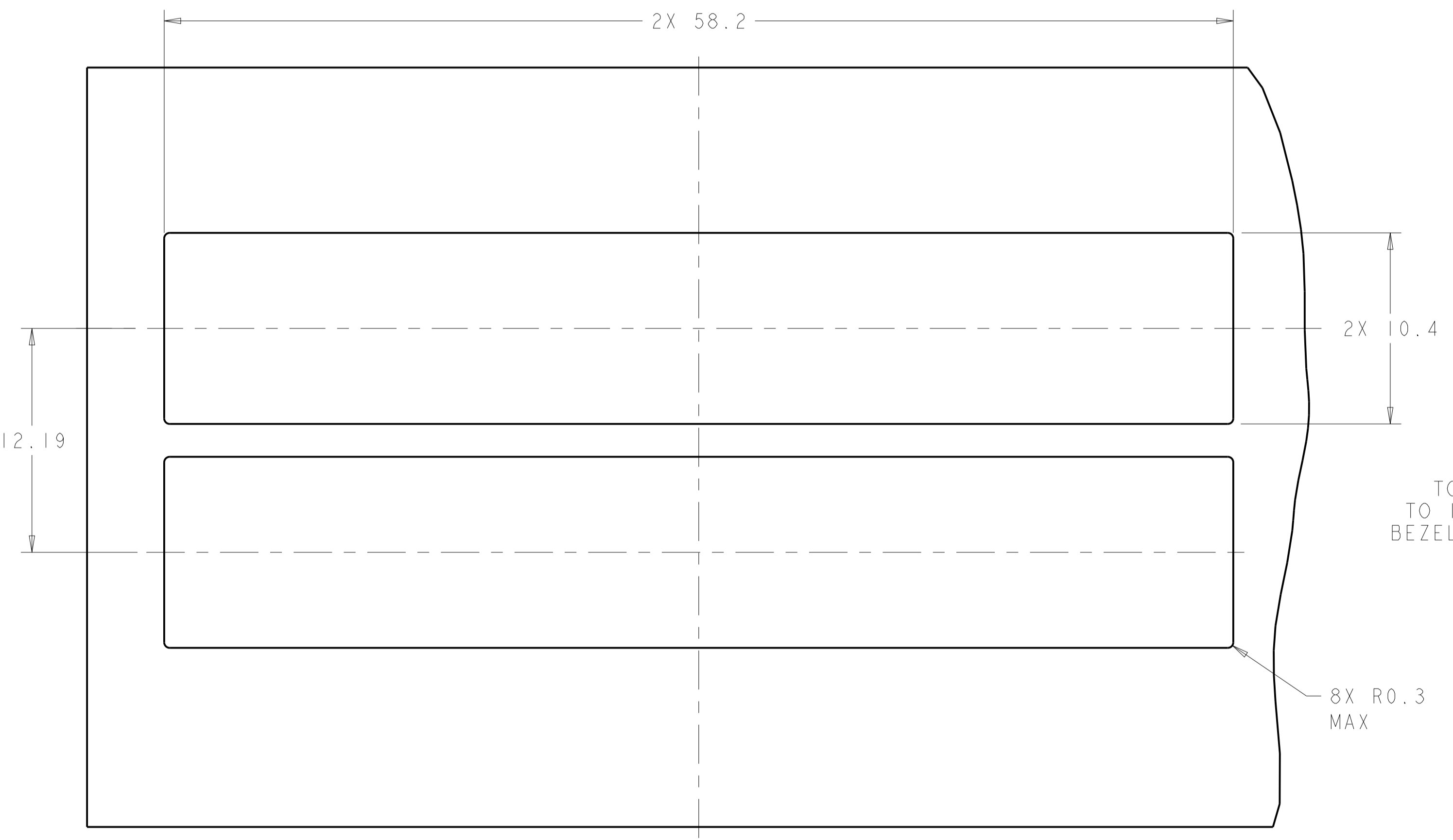
LOC	DIST	REV	DATE	BY	APPD
GP	00				

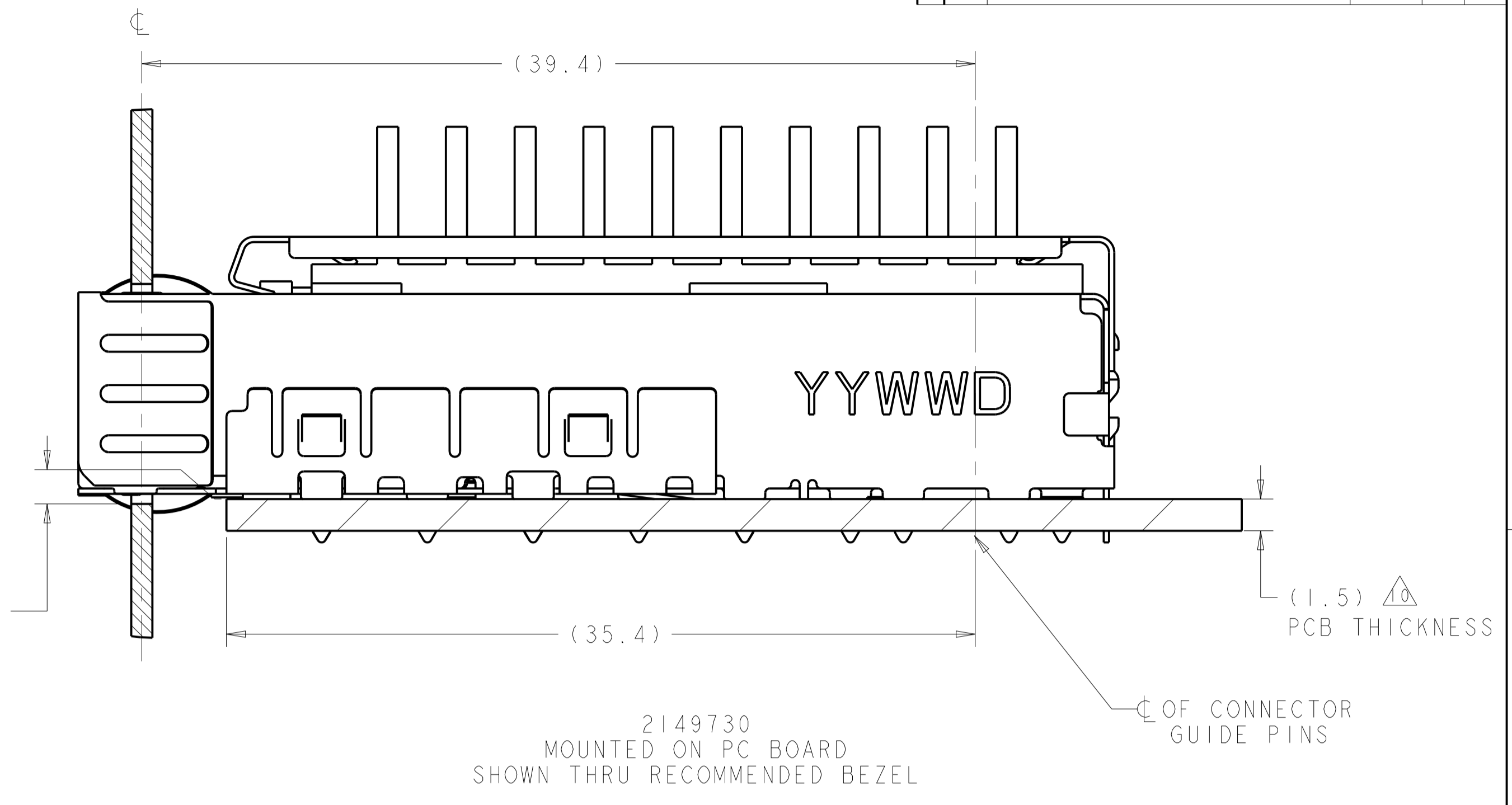
REVISIONS			
NO.	DESCRIPTION	DATE	BY
-	SEE SHEET 1	-	-



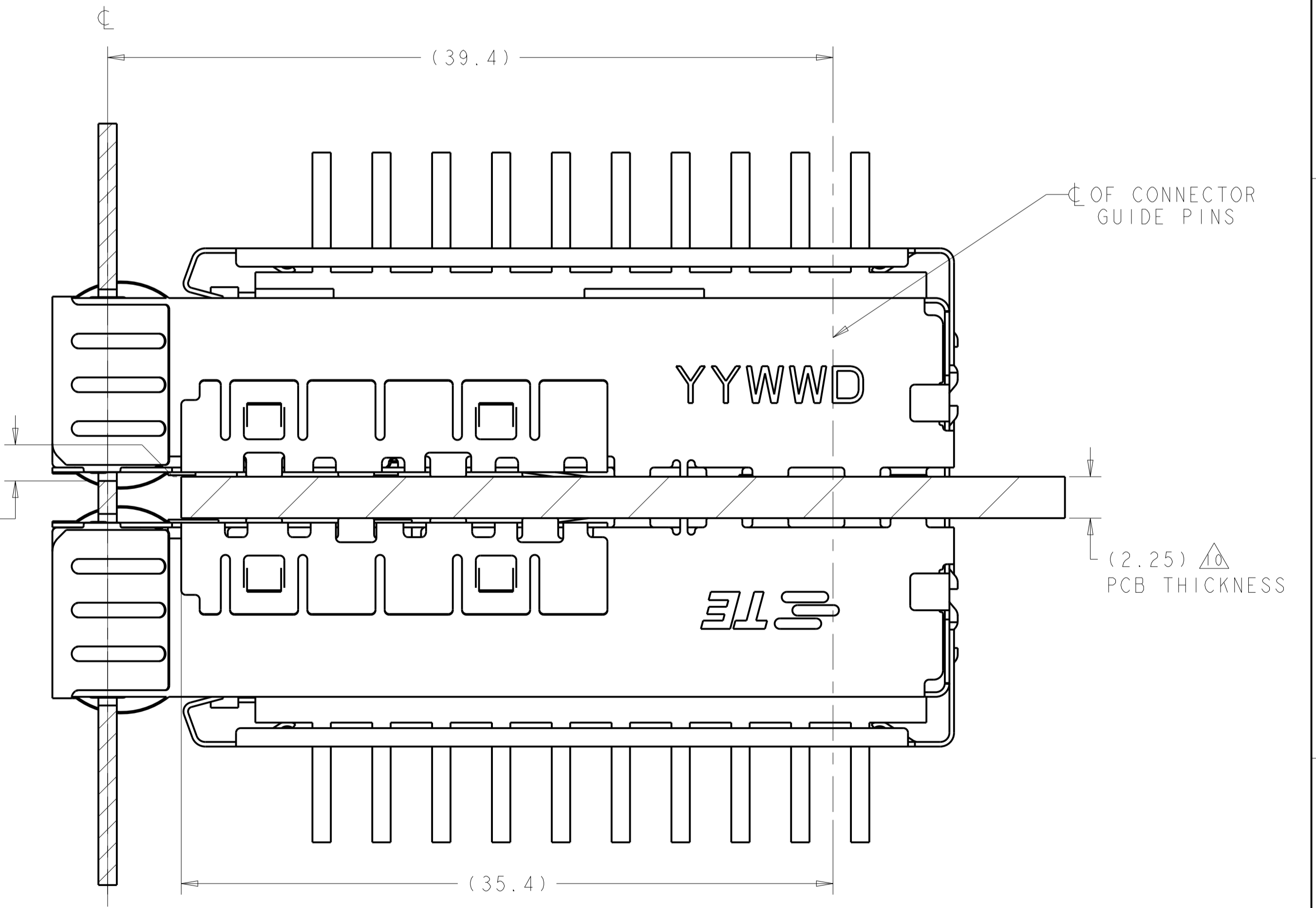
RECOMMENDED BEZEL CUT-OUT  
 SINGLE SIDED APPLICATIONS  
 SCALE 5:2



RECOMMENDED BEZEL CUT-OUT  
 BELLY TO BELLY APPLICATIONS



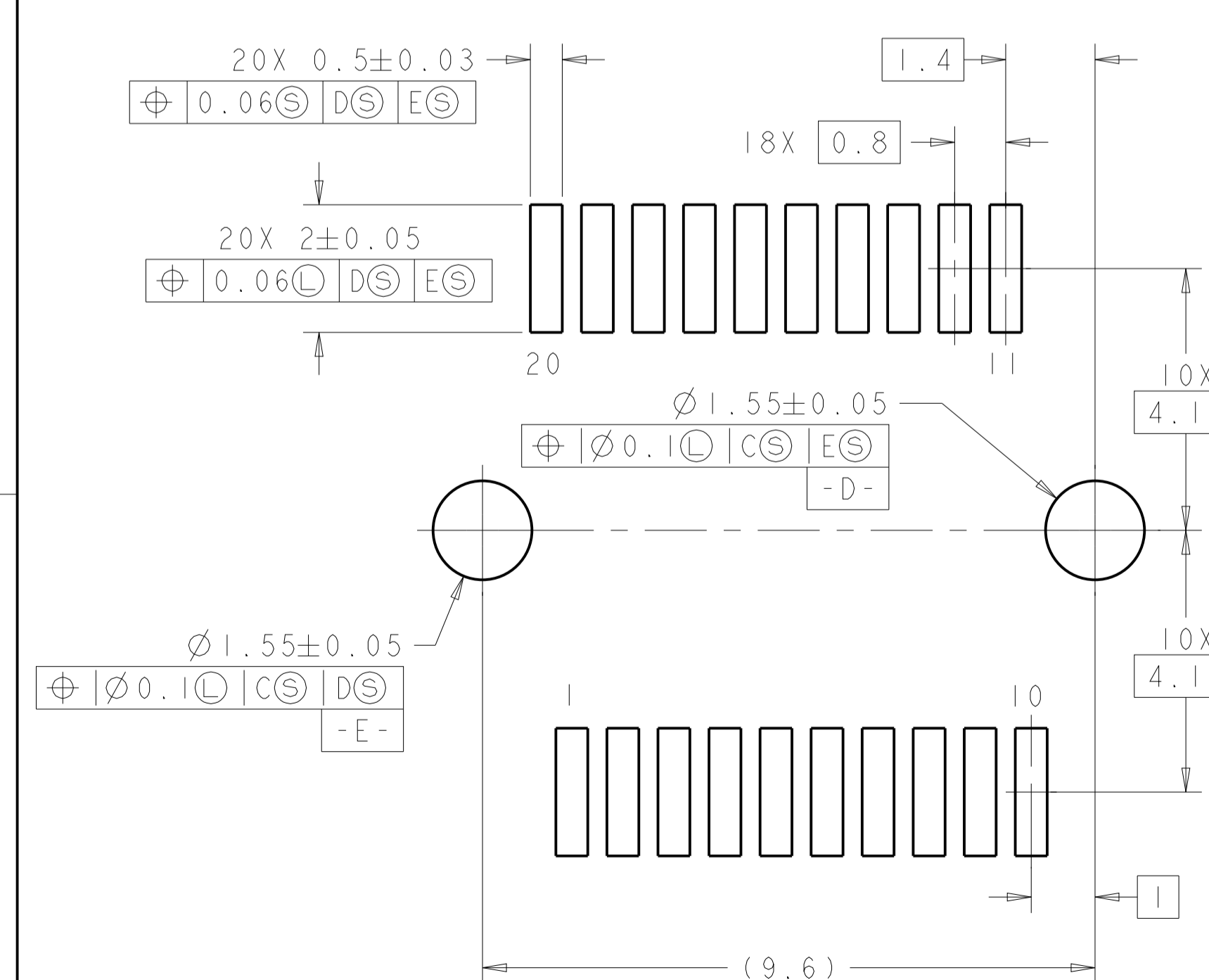
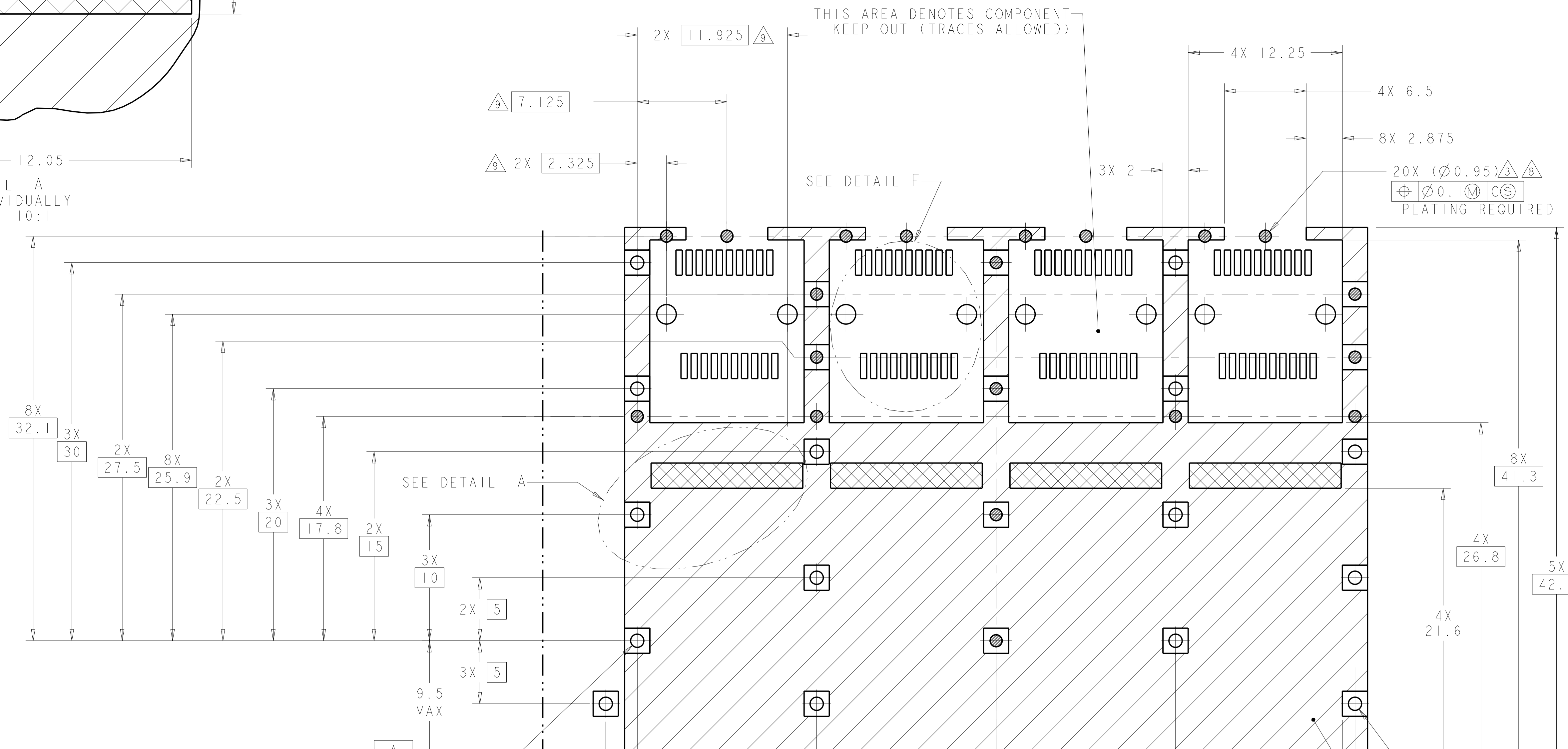
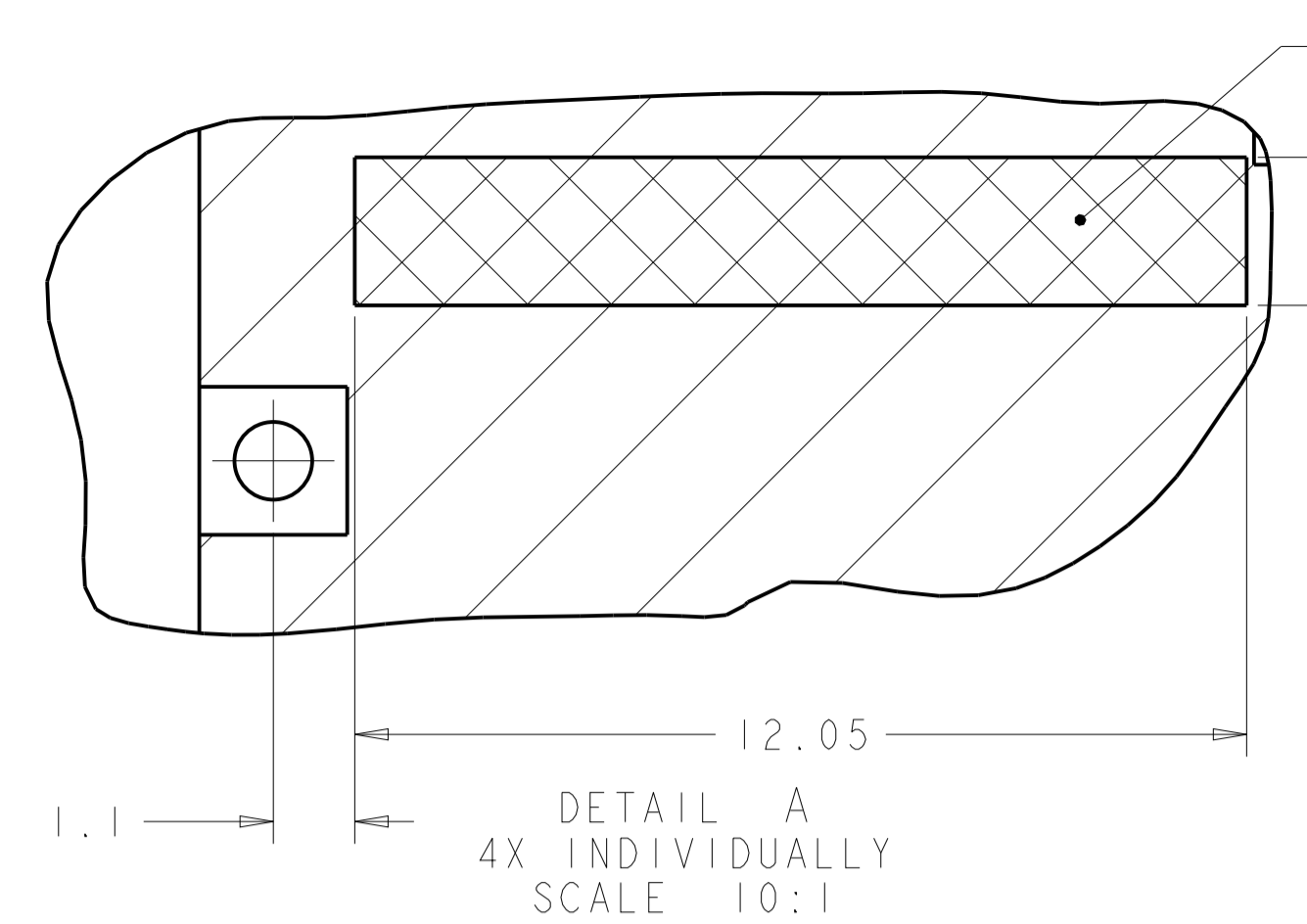
2149730  
 MOUNTED ON PC BOARD  
 SHOWN THRU RECOMMENDED BEZEL



2149730  
 MOUNTED BELLY TO BELLY ON PC BOARD  
 SHOWN THRU RECOMMENDED BEZEL

THIS DRAWING IS A CONTROLLED DOCUMENT.		OWN: M. SCHMITT 23AUG2010	TE Connectivity
DIMENSIONS: mm		CHK: M. SCHMITT 23AUG2010	
TOLERANCES UNLESS OTHERWISE SPECIFIED:		APPD: B. WERTZ 23AUG2010	NAME: SFP+ ENHANCED 1X4 CAGE ASSEMBLY PRESS FIT, EXTERNAL EMI SPRINGS WITH HEATSINK
0 PLC	±0.1	PRODUCT SPEC	SIZE: CAGE CODE DRAWING NO
1 PLC	±0.1	108-2364	A100779C=2149730
2 PLC	±0.1	APPLICATION SPEC	RESTRICTED TO
3 PLC	±0.1	114-13120	Customer Drawing
4 PLC	±0.1	WEIGHT	SCALE 5:1 SHEET 4 OF 8 REV A6
ANGLES	±1°		
MATERIAL			

LOC	DIST	REVISIONS			
GP	00	REV	DATE	BY	APPV
		1	SEE SHEET 1		



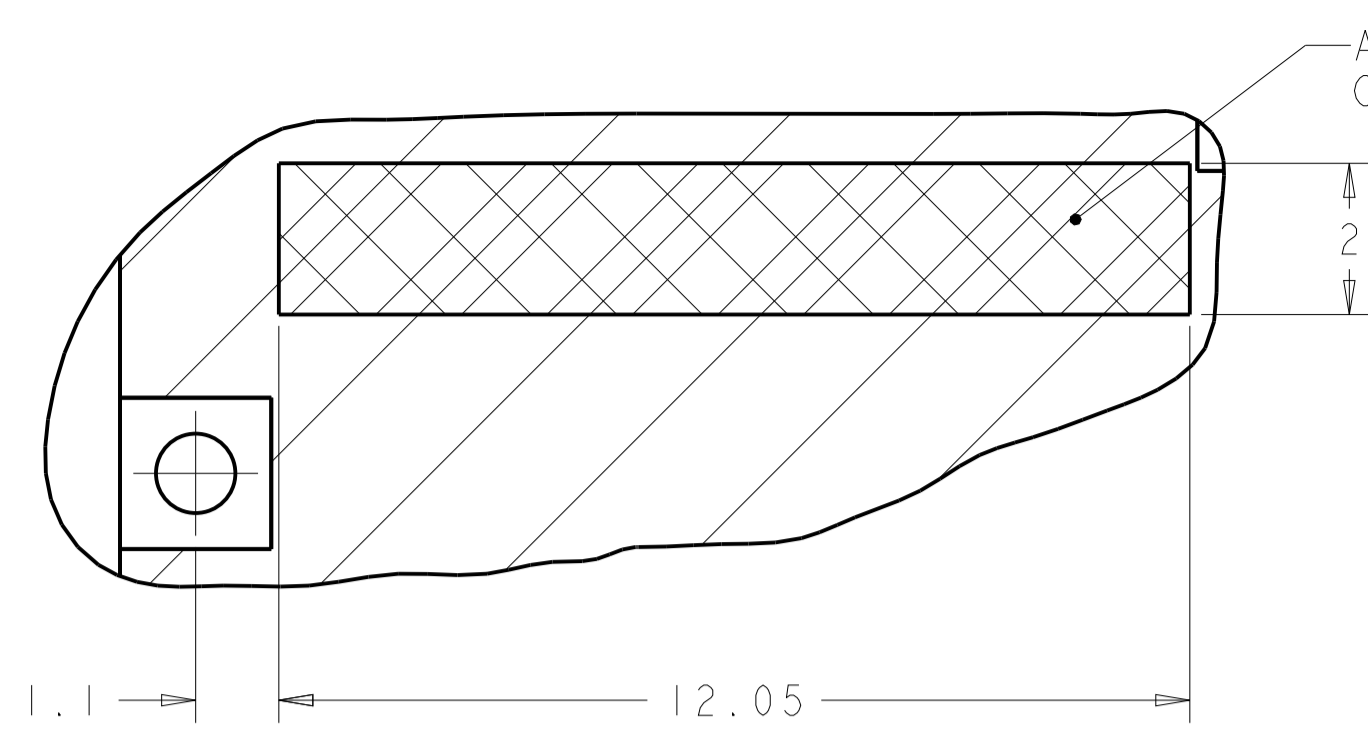
RECOMMENDED PCB CONFIGURATION WITH KEEP-OUT AREAS SINGLE SIDED APPLICATIONS SCALE 5:1

THIS DRAWING IS A CONTROLLED DOCUMENT.		OWN: M. SCHMITT 23AUG2010	TE Connectivity
DIMENSIONS: mm		CHK: M. SCHMITT 23AUG2010	
TOLERANCES UNLESS OTHERWISE SPECIFIED:		APPV: B. WERTZ 23AUG2010	NAME: SFP+ ENHANCED 1X4 CAGE ASSEMBLY PRESS FIT, EXTERNAL EMI SPRINGS WITH HEATSINK
0 PLC	±0.1	PRODUCT SPEC	108-2364
1 PLC	±0.1	APPLICATION SPEC	114-13120
2 PLC	±0.1	WEIGHT	A100779C=2149730
3 PLC	±0.1	Customer Drawing	SCALE 5:1 SHEET 5 OF 8 REV A6
4 PLC	±0.1		
ANGLES	±1°		

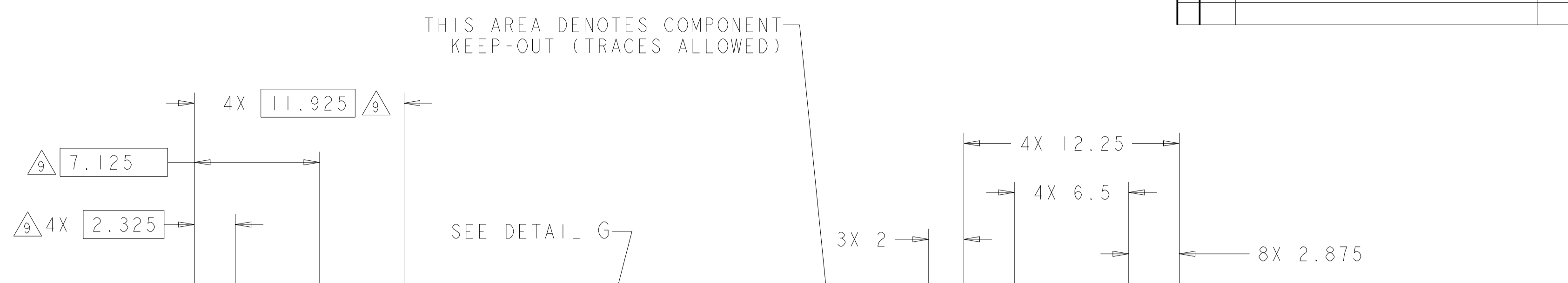
LOC	DIST	REV	DATE	BY	APPV
GP	00				

REVISIONS				
REV	DATE	BY	APPV	DESCRIPTION
-	-	-	-	SEE SHEET 1

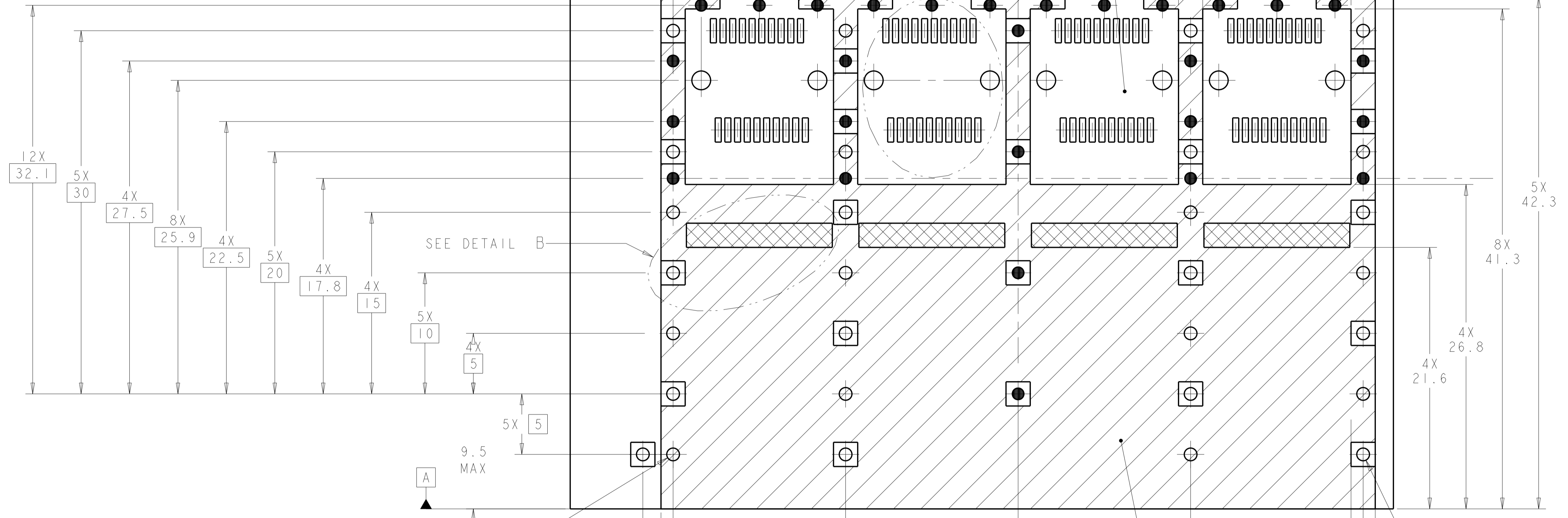


DETAIL B  
4X INDIVIDUALLY  
SCALE 10:1



THIS AREA DENOTES COMPONENT  
KEEP-OUT (TRACES ALLOWED)

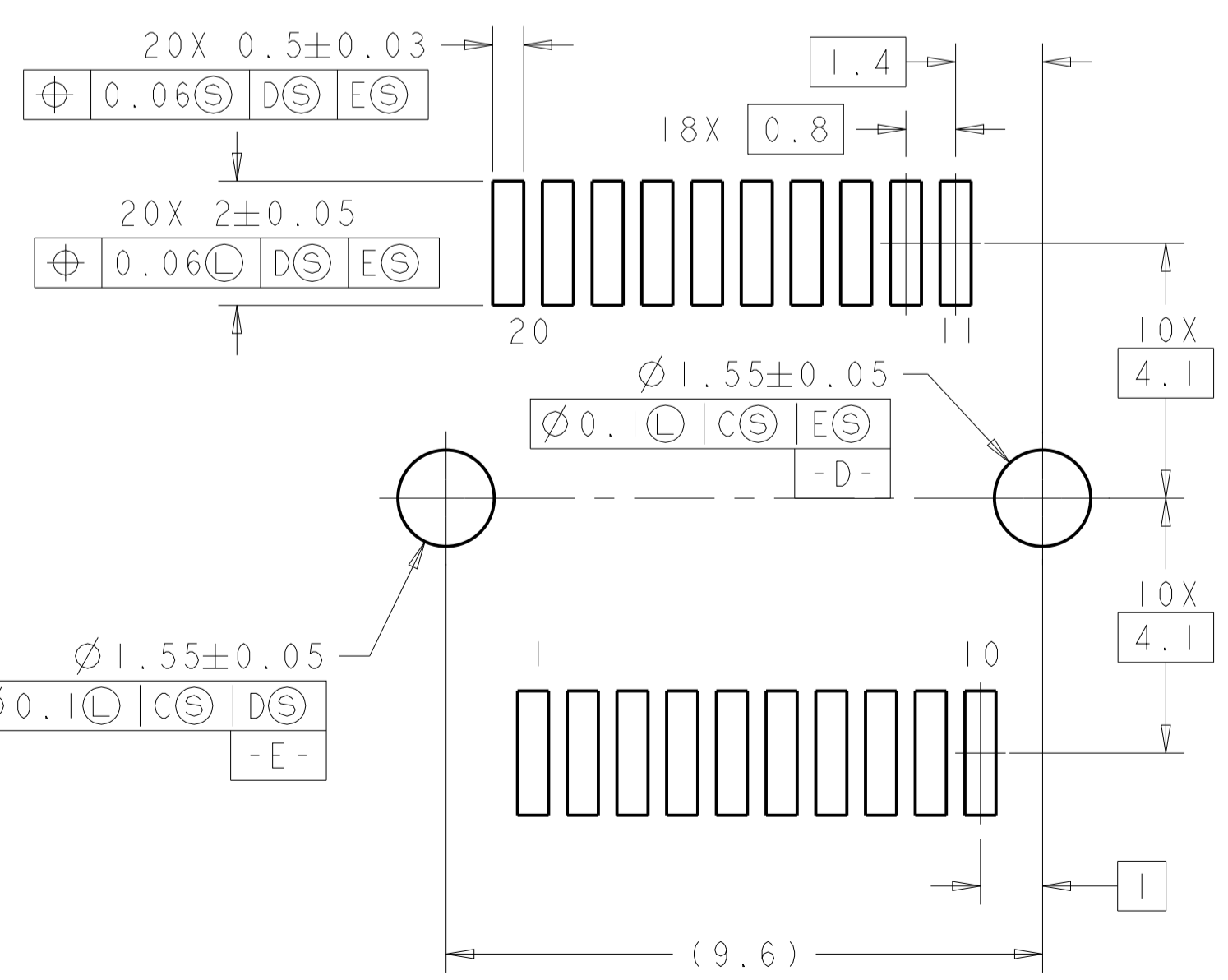
AREA DENOTES EXPOSED  
CHASSIS GROUND



SEE DETAIL B

SEE DETAIL G

CROSS-HATCHED AREA DENOTES  
COMPONENT AND TRACE KEEP-OUT  
(EXCEPT CHASSIS GROUND)



DETAIL G  
RECOMMENDED PT CONNECTOR LAYOUT  
8X INDIVIDUALLY  
SCALE 10:1

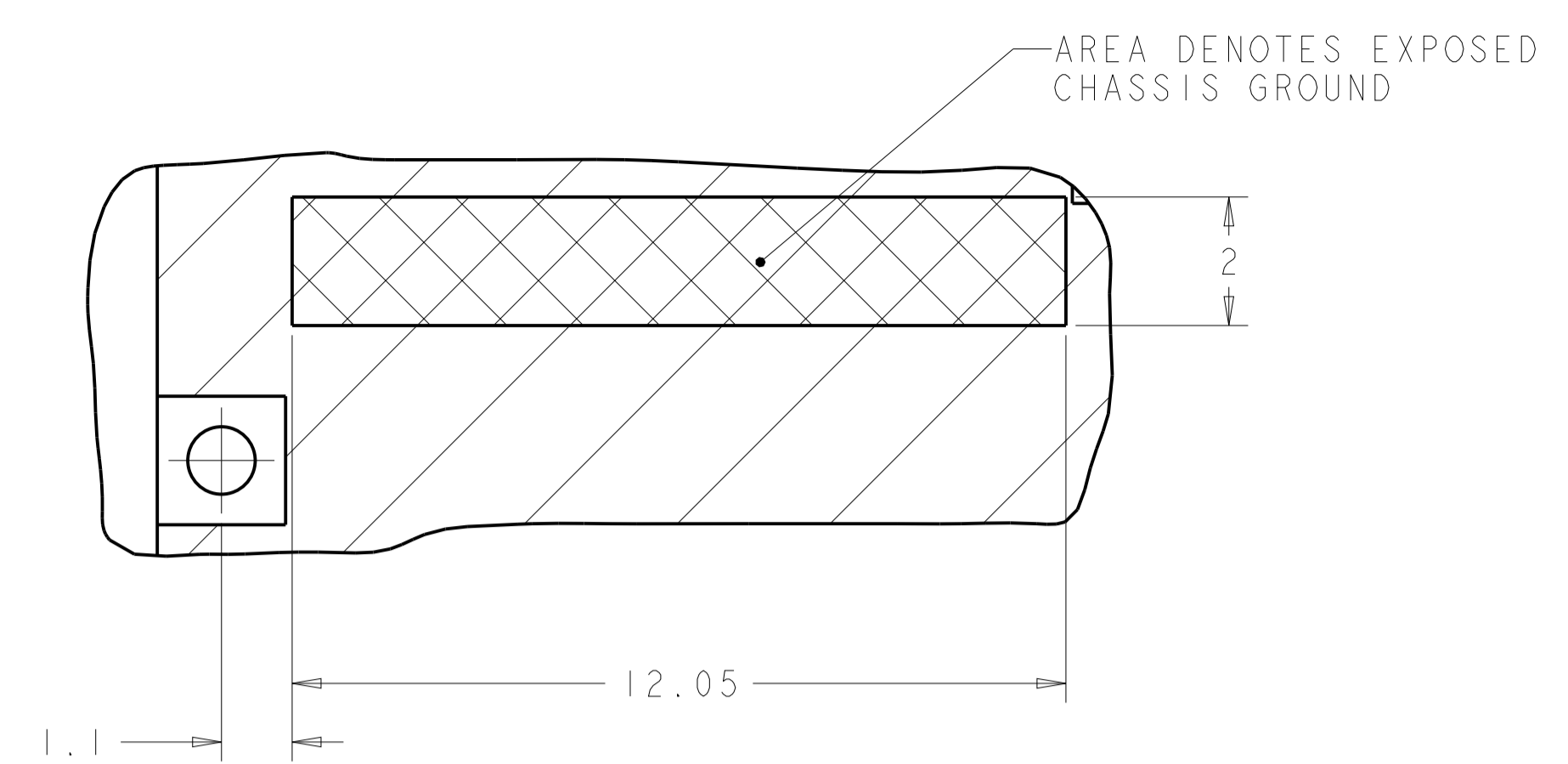
RECOMMENDED PCB CONFIGURATION  
WITH KEEP-OUT AREAS  
BELLY TO BELLY APPLICATIONS  
SCALE 5:1

THIS DRAWING IS A CONTROLLED DOCUMENT.		OWN: M. SCHMITT 23AUG2010	TE Connectivity
DIMENSIONS: mm		CHK: M. SCHMITT 23AUG2010	
TOLERANCES UNLESS OTHERWISE SPECIFIED:		APPV: B. WERTZ 23AUG2010	NAME: SFP+ ENHANCED 1X4 CAGE ASSEMBLY PRESS FIT, EXTERNAL EMI SPRINGS WITH HEATSINK
0 PLC	±0.1	PRODUCT SPEC	SIZE: CAGE CODE DRAWING NO. RESTRICTED TO
1 PLC	±0.1	108-2364	A100779C=2149730
2 PLC	±0.1	APPLICATION SPEC	SCALE 5:1 SHEET 6 OF 8 REV A6
3 PLC	±0.1	114-13120	
4 PLC	±0.1	WEIGHT	
ANGLES	±1°	Customer Drawing	

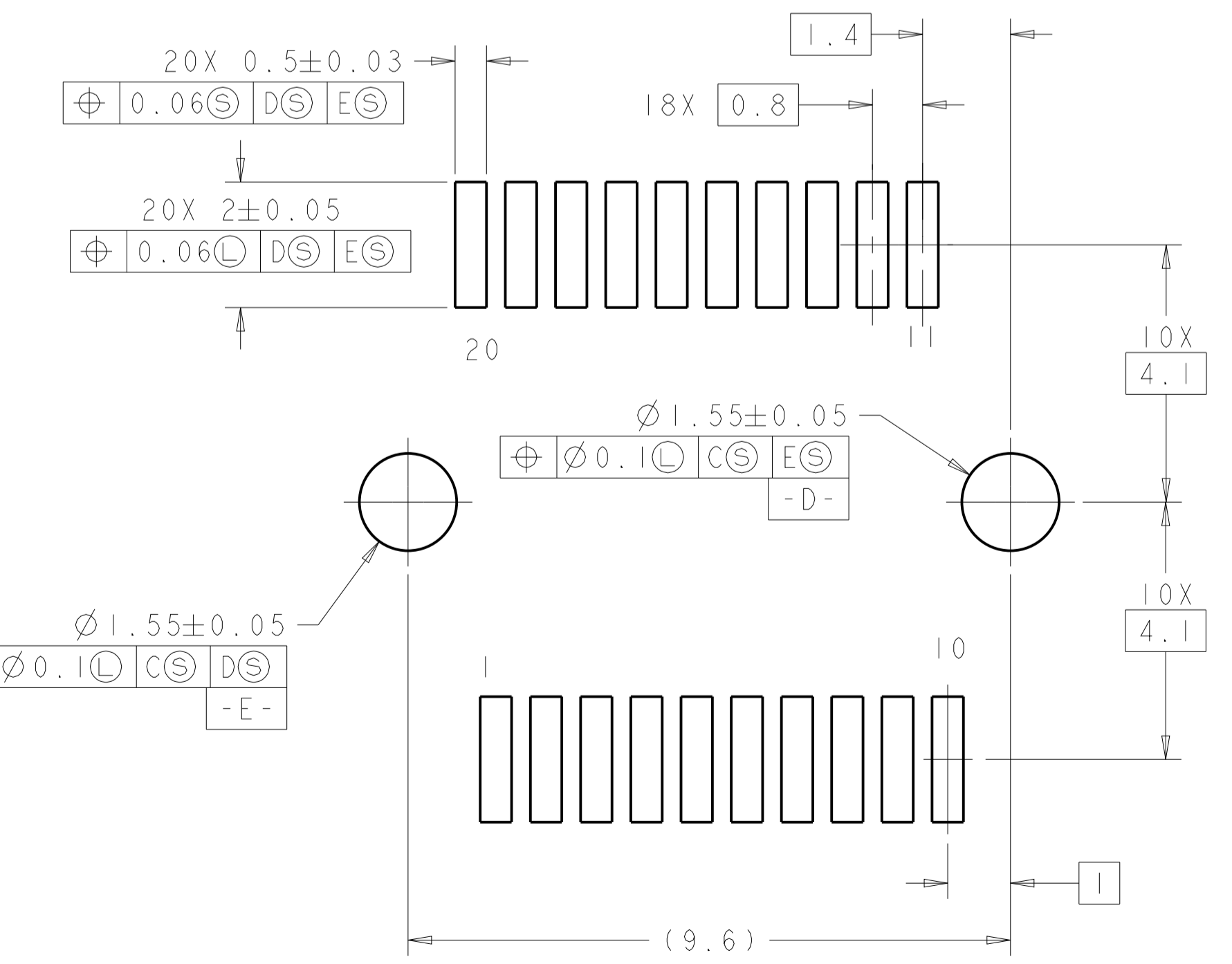
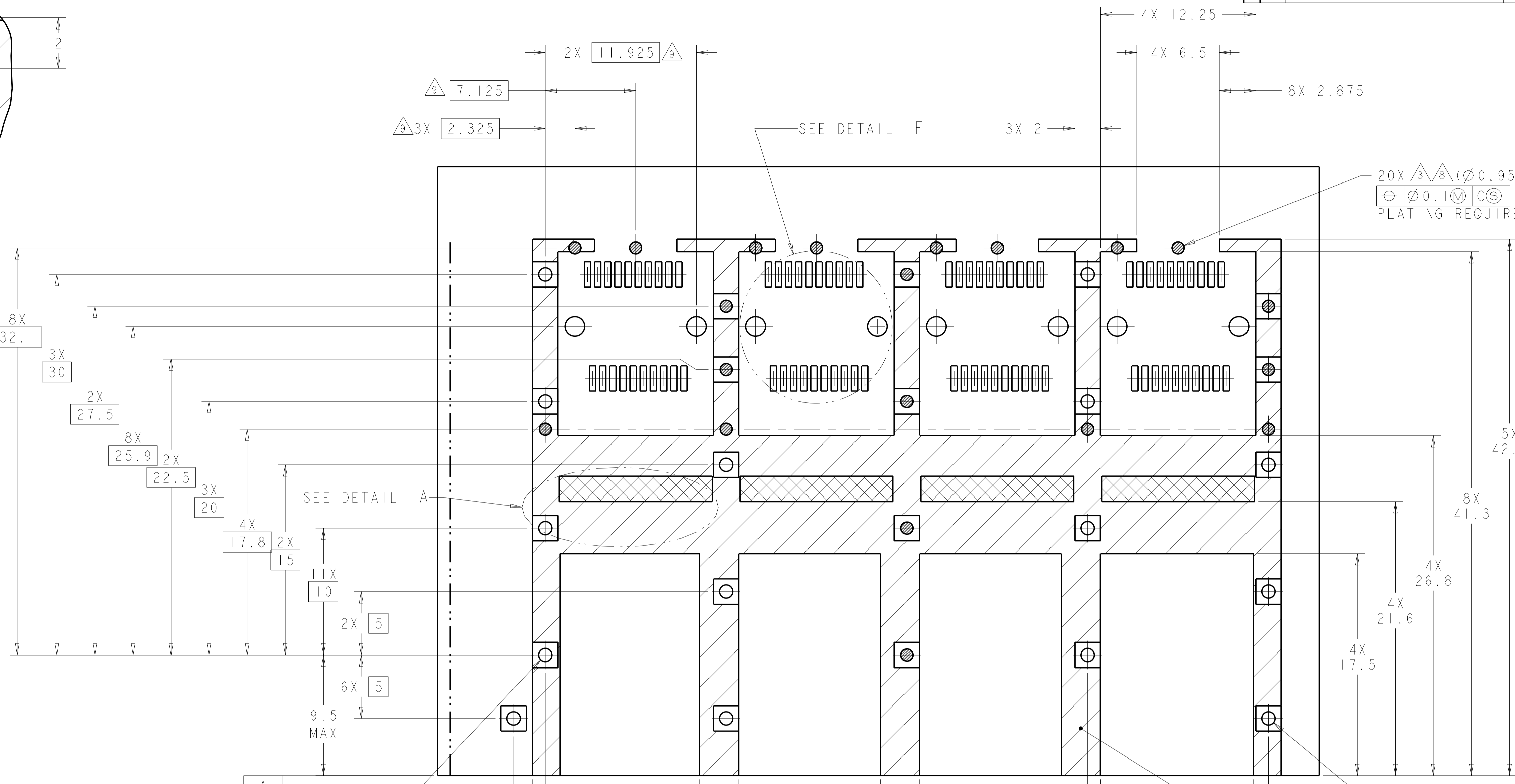
LOC	DIST	REV	DATE	APVD
GP	00			

REVISIONS				
NO.	DESCRIPTION	DATE	DWN	APVD
-	SEE SHEET 1	-	-	-



DETAIL A  
4X INDIVIDUALLY  
SCALE 10:1



DETAIL F  
RECOMMENDED PT CONNECTOR LAYOUT  
SCALE 12:1

$\begin{matrix} \Delta \Delta (\varnothing 1.05) \\ \oplus \varnothing 0.1 \text{ (C)} \text{ (A)} \text{ (B)} \end{matrix}$   
PLATING REQUIRED  
-C-

$\Delta$  -B-

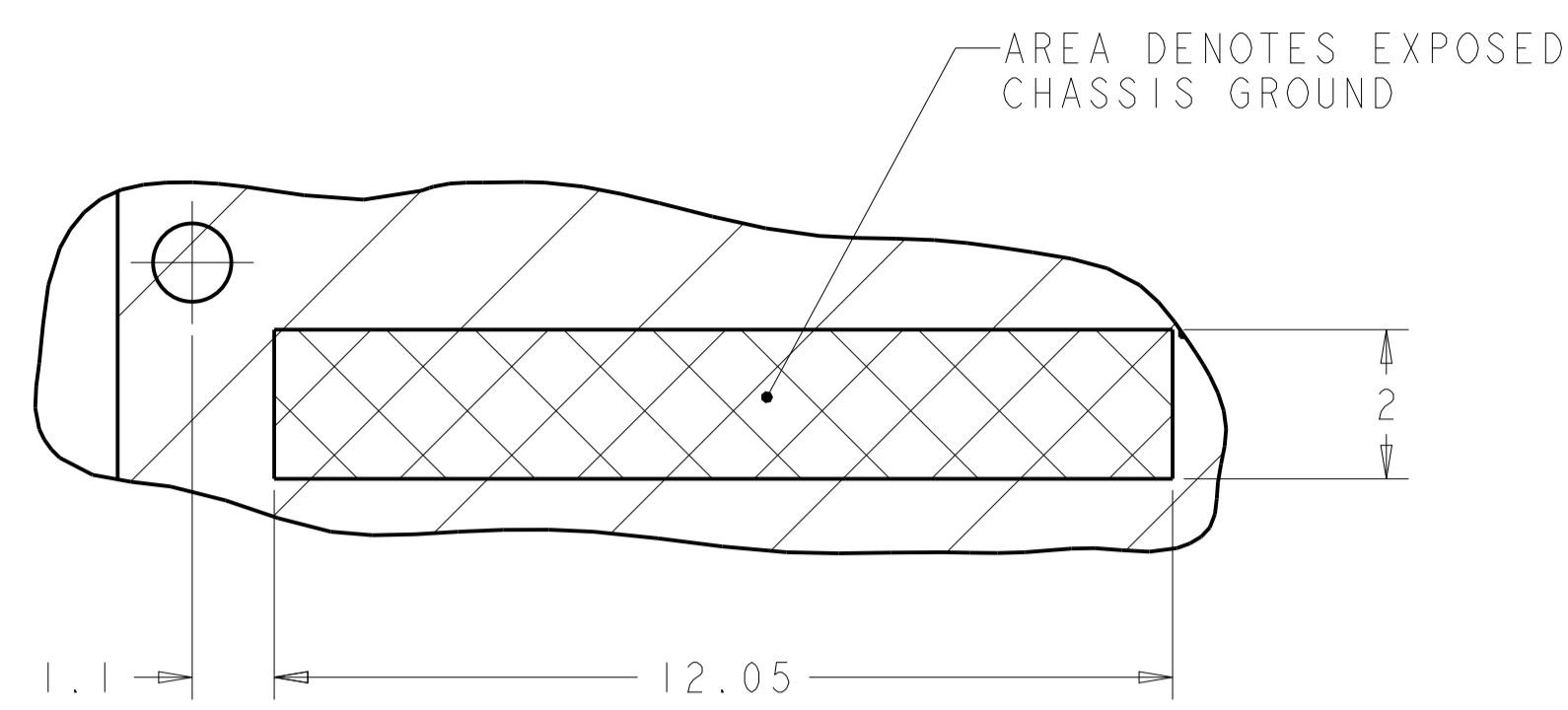
RECOMMENDED PCB CONFIGURATION  
WITH KEEP-OUT AREAS  
SINGLE SIDED APPLICATIONS  
WITH INSULATING TAPE  $\Delta$

THIS DRAWING IS A CONTROLLED DOCUMENT.		DWN M. SCHMITT 23AUG2010 CHK M. SCHMITT 23AUG2010 APVD B. WERTZ 23AUG2010		TE Connectivity		
DIMENSIONS: mm		PRODUCT SPEC 108-2364 APPLICATION SPEC 114-13120		NAME SFP+ ENHANCED 1X4 CAGE ASSEMBLY PRESS FIT, EXTERNAL EMI SPRINGS WITH HEATSINK		
TOLERANCES UNLESS OTHERWISE SPECIFIED:		FINISH		SIZE CAGE CODE DRAWING NO. RESTRICTED TO		
0 PLC ±0.1	1 PLC ±0.1	MATERIAL		A100779C=2149730		
2 PLC ±0.1	3 PLC ±0.1	WEIGHT		SCALE 5:1 SHEET 7 OF 8 REV A6		
4 PLC ±0.1	ANGLES ±1°	Customer Drawing				

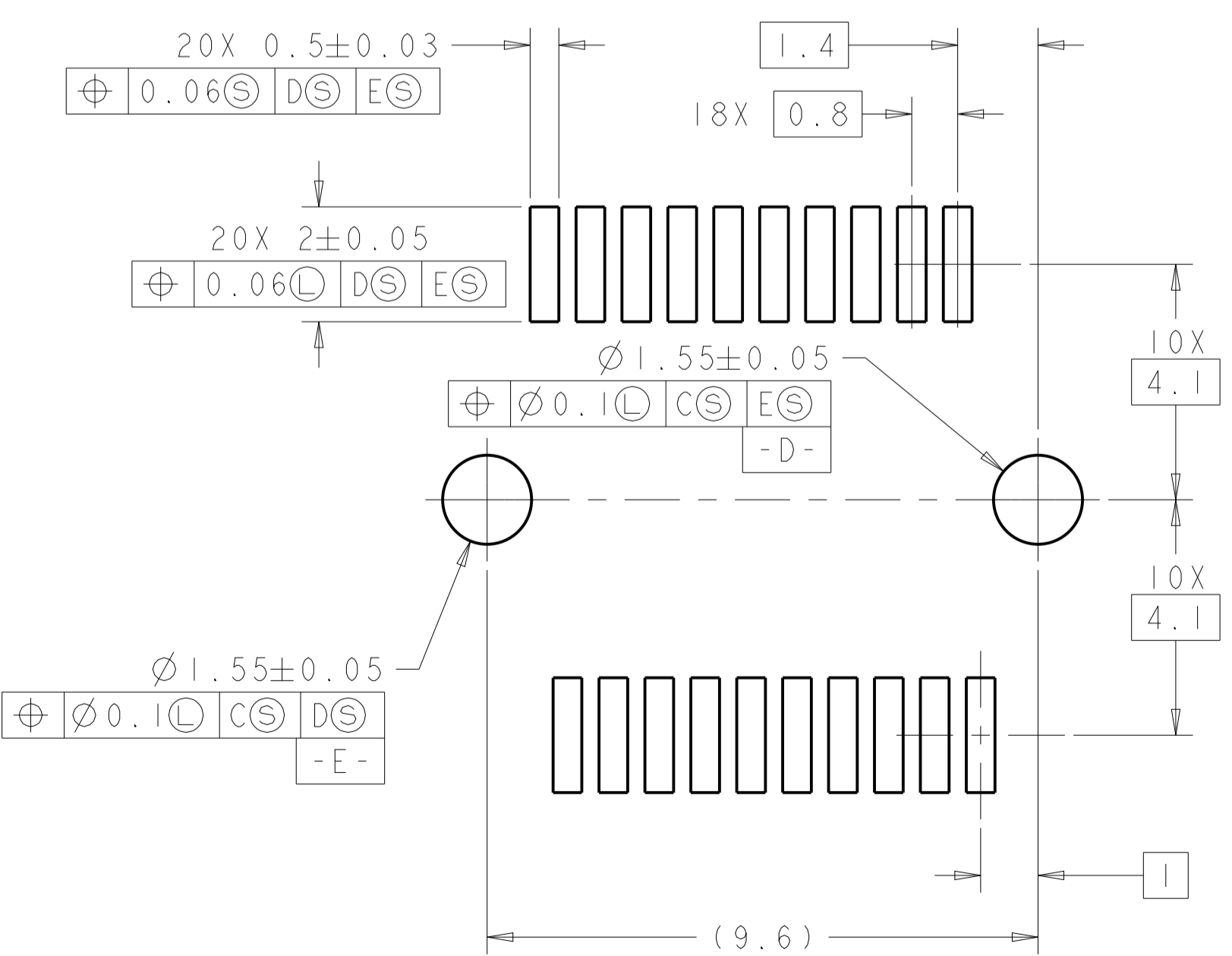
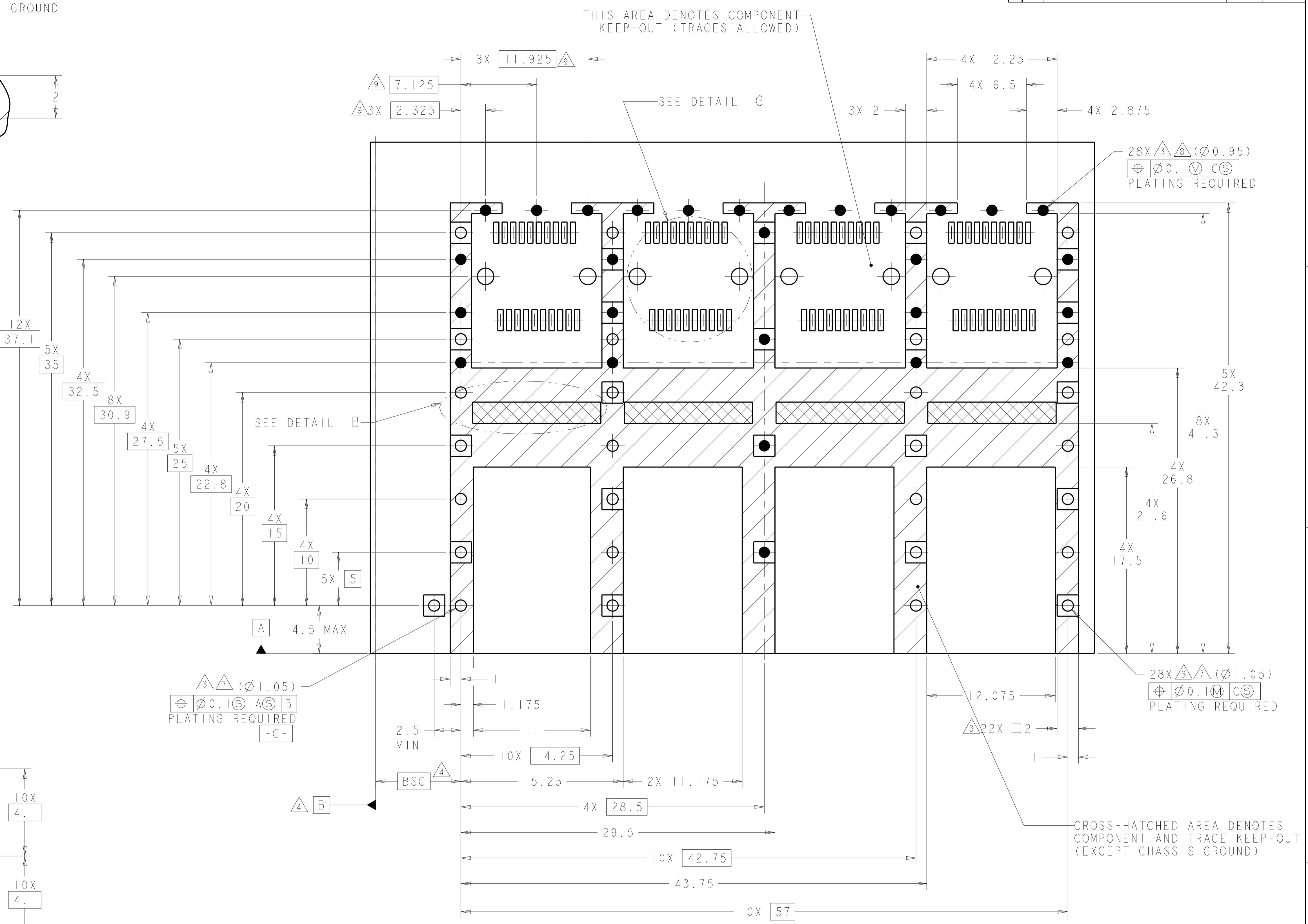
LOC	DIST	REV	DATE	BY	APPV
GP	00				

REVISIONS			
NO.	DESCRIPTION	DATE	BY
1	SEE SHEET 1		



DETAIL B  
4X INDIVIDUALLY  
SCALE 10:1



DETAIL G  
RECOMMENDED PT CONNECTOR LAYOUT  
8X INDIVIDUALLY  
SCALE 10:1

RECOMMENDED PCB CONFIGURATION  
WITH KEEP-OUT AREAS  
BELLY TO BELLY APPLICATIONS  
WITH INSULATING TAPE

THIS DRAWING IS A CONTROLLED DOCUMENT.		OWN: M. SCHMITT 23AUG2010	<b>STE</b> TE Connectivity
DIMENSIONS: mm		CHK: M. SCHMITT 23AUG2010	
TOLERANCES UNLESS OTHERWISE SPECIFIED:		APPV: B. WERTZ 23AUG2010	NAME: SFP+ ENHANCED 1X4 CAGE ASSEMBLY PRESS FIT, EXTERNAL EMI SPRINGS WITH HEATSINK
0 PLC ±0.1		PRODUCT SPEC: 108-2364	
1 PLC ±0.1		APPLICATION SPEC: 114-13120	SIZE: CAGE CODE DRAWING NO: A100779C=2149730
2 PLC ±0.1		WEIGHT: -	RESTRICTED TO: -
3 PLC ±0.1		FINISH: ±1μm	SCALE: 5:1 SHEET 8 OF 8 REV: A6
4 PLC ±0.1		Customer Drawing	



## X-ON Electronics

Largest Supplier of Electrical and Electronic Components

*Click to view similar products for [I/O Connectors](#) category:*

*Click to view products by [TE Connectivity](#) manufacturer:*

Other Similar products are found below :

[571763P](#) [72.250.1628.2](#) [72.250.2428.2](#) [74720-0505](#) [76.350.0729.0](#) [76871-1403](#) [FCN-244F080-G/1](#) [FCN-260A9920](#) [MP-5T180MUNNA-005](#)  
[PCR-E36PM](#) [PCS-XE26MA+](#) [G38A71314B](#) [1571250010](#) [157-22500-3](#) [MS3471L14-19P L/C](#) [91-569786-35H](#) [172501-4002](#) [172501-6002](#)  
[FCN-260C008-A/L0](#) [FCN-260C024-AL0](#) [FCN-261Z008](#) [2000314-1](#) [200331-1](#) [PCR-E36FC+](#) [PCS-E28FS+](#) [PCS-XE26SLFD+](#) [PCS-](#)  
[XE26SLFDT+](#) [G730VID08BDC24](#) [U90B2054081210](#) [UE86K842720321](#) [38113800006](#) [DP3AR020WQ1R200](#) [Z4.102.0680.0](#) [500-1040](#)  
[500-1052](#) [500-1054](#) [ZP-4008-66L](#) [0709821002](#) [10-565995-597N](#) [DX40-20P\(55\)](#) [5554841-1](#) [MS3474W18-8P-LC\\*](#) [U90B3054061110](#) [U65-](#)  
[E04-4020](#) [ZPF000000000097891](#) [557-262M2-06C](#) [747360449](#) [10099439-003C-TRLF](#) [10137239-0021LF](#) [E9320-001-01](#)