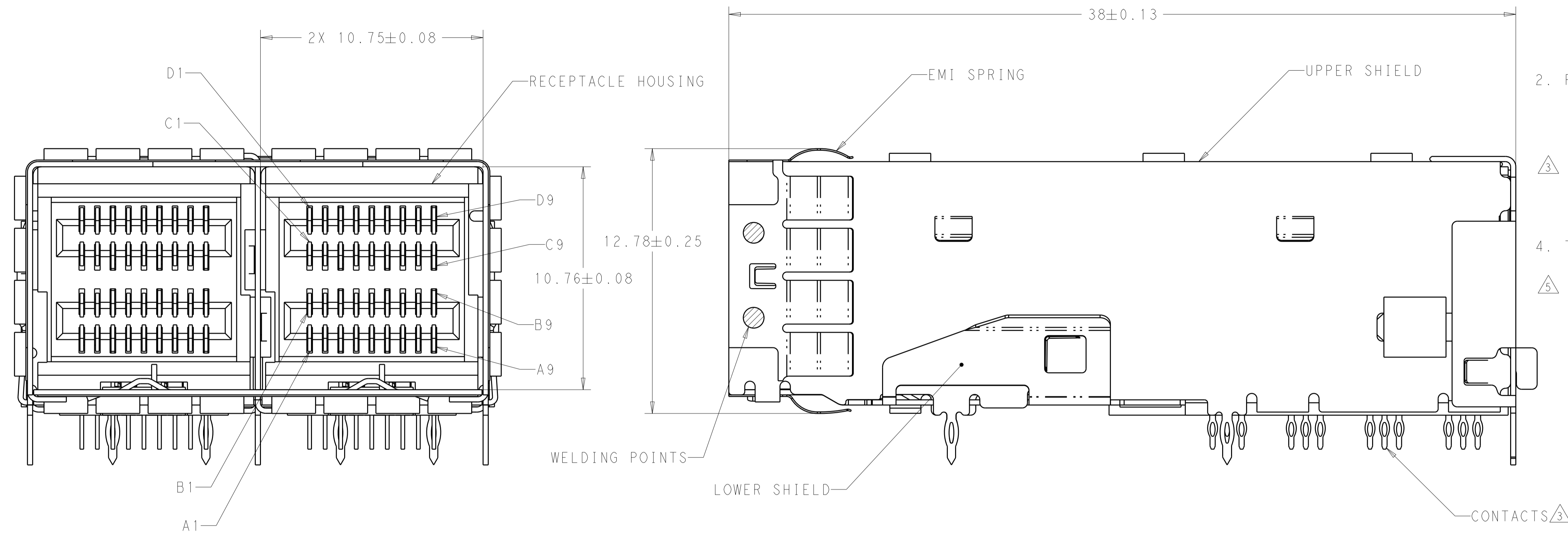
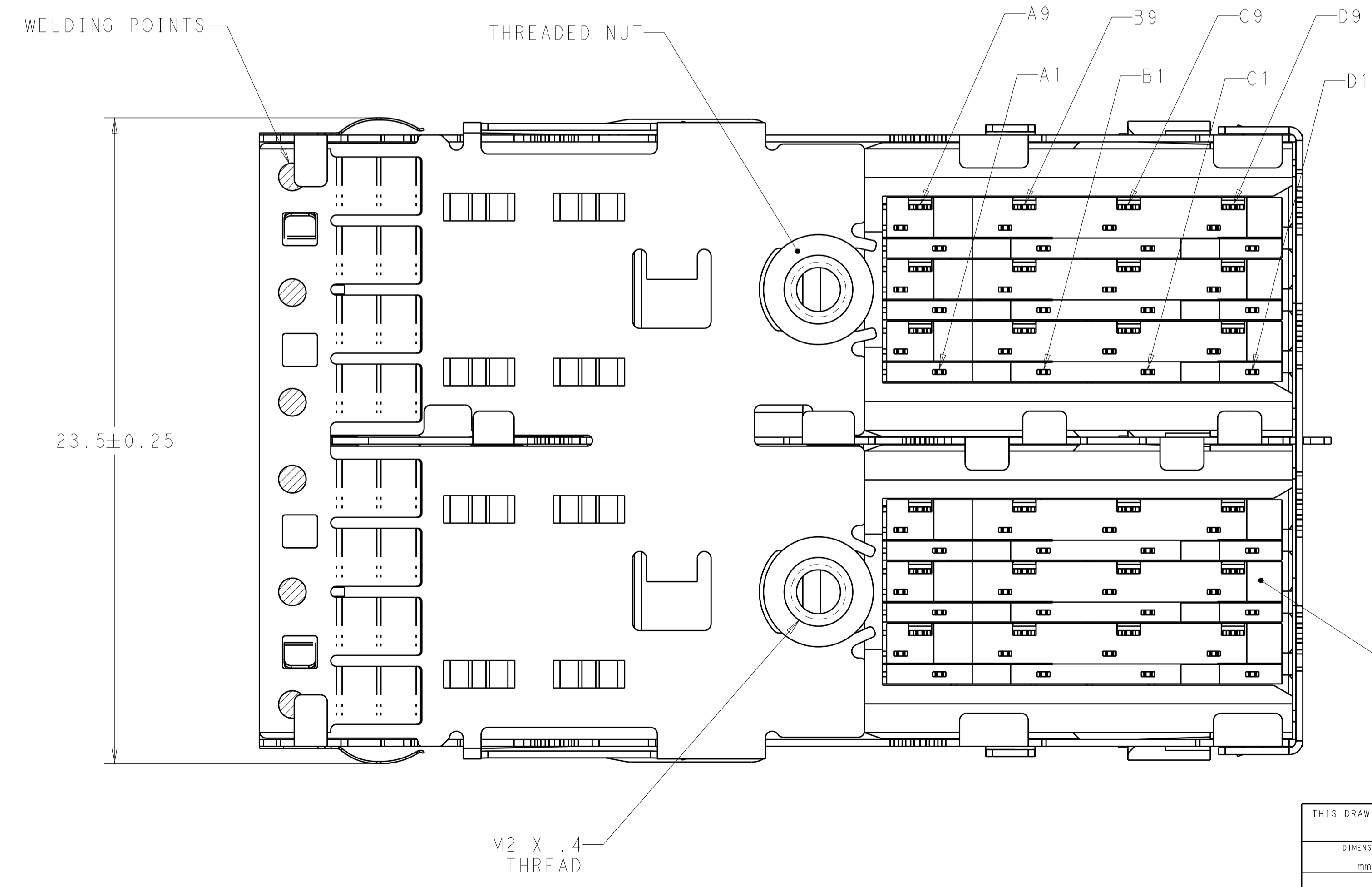


LOC	DIST	REVISIONS			
P	LTN	DESCRIPTION	DATE	DWN	APVD
A		REVISED PER ECO-14-018497	16DEC2014	AP	DG
B		REVISED PER ECO-16-006997	09MAY2016	JY	SH
C		REVISED PER ECO-16-007813	23MAY2016	JY	SH



1. MATERIALS  
 RECEPTACLE HOUSING, LCP, BLACK, UL94V-0 RATED  
 SHIELD ASSY: NICKEL SILVER COPPER ALLOY  
 CONTACTS: COPPER ALLOY  
 EMI SPRING: COPPER ALLOY  
 THREADED NUT: BRASS  
 CHICKLETS: LCP, BLACK, UL 94V-0 RATED
  2. FINISH  
 EMI SPRING: TIN PLATE OVER NICKEL PLATE  
 NON-PLATED EDGES PERMISSABLE  
 THREADED NUT: NICKEL PLATE
  3. CONTACT FINISH: CONFORMS TO THE REQUIREMENTS OF TE PRODUCT SPECIFICATION, 108-2462. BASED ON EIA/ECA-364-1000.01A. (CONTROLLED ENVIRONMENT APPLICATIONS) ON MATING END. TIN PLATED ON PCB TAIL
  4. THREAD LENGTH OF FASTENER = PCB THICKNESS + 1.45 MAX
- RECOMMENDED TRACE KEEP OUT ZONE

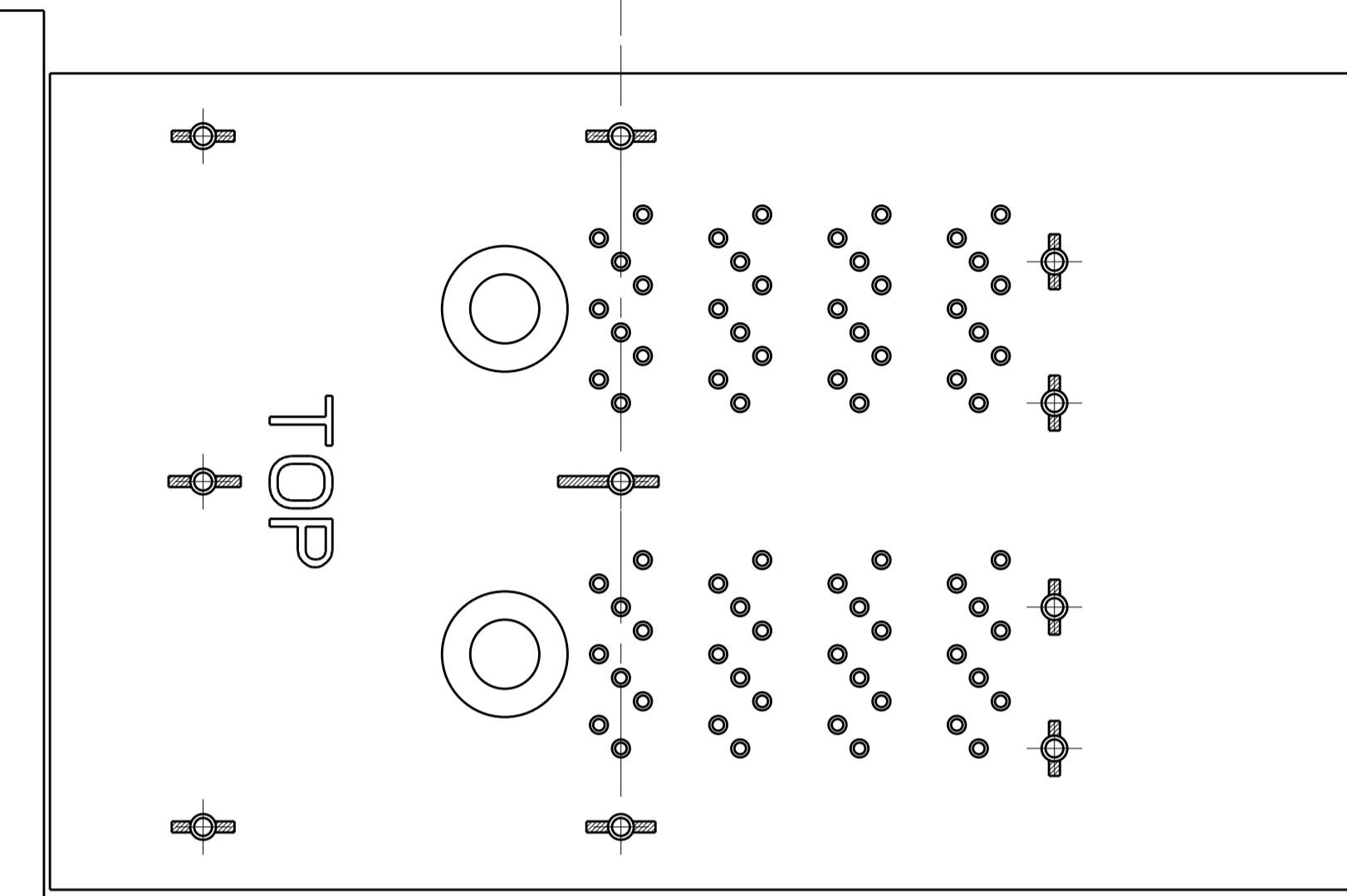
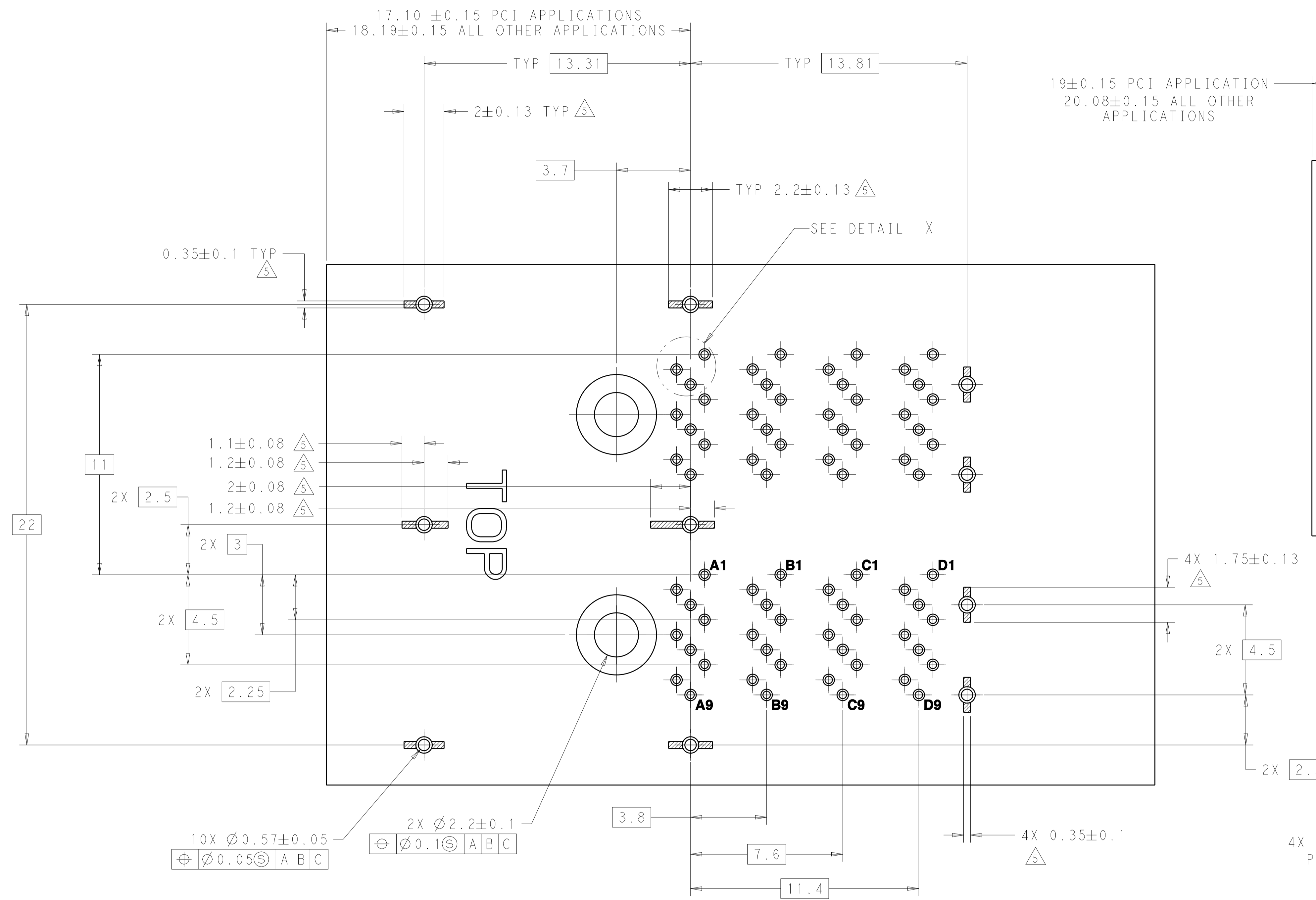


TAPE&REEL	2149966-5
TRAY	2149966-1
PACKAGE	PART NUMBER

THIS DRAWING IS A CONTROLLED DOCUMENT.

DIMENSIONS:	TOLERANCES UNLESS OTHERWISE SPECIFIED:	DWN P. KERLIN 20SEP2010	NAME
mm	0 PLC ±	CHK J. SECHRIST 20SEP2010	RECEPTACLE ASSEMBLY, MINI-SAS HD, 2X
	1 PLC ±	APVD	SIZE CAGE CODE DRAWING NO RESTRICTED TO
	2 PLC ±	PRODUCT SPEC	A100779C=2149966
	3 PLC ±	108-2462	SCALE 8:1 SHEET 1 OF 2 REV C
	4 PLC ±	APPLICATION SPEC	
	ANGLES ±	114-13316	
MATERIAL	FINISH	WEIGHT	Customer Drawing

LOC		DIST		REVISIONS				
P	LTN	DATE	OWN	APVD	DESCRIPTION			
-	-	-	-	-	SEE SHEET 1			

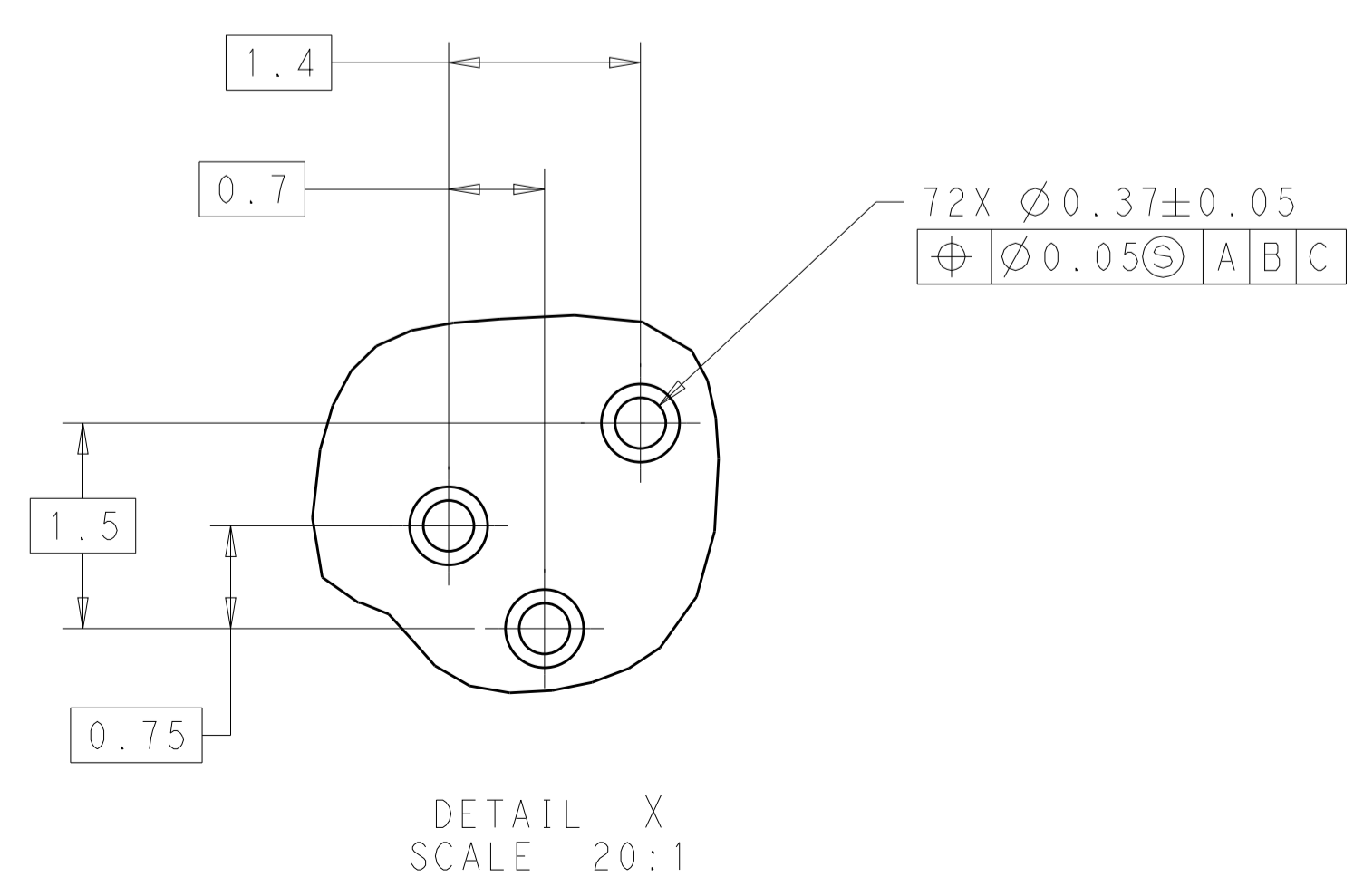


PANEL/PCB ASSEMBLY  
SCALE=5:1

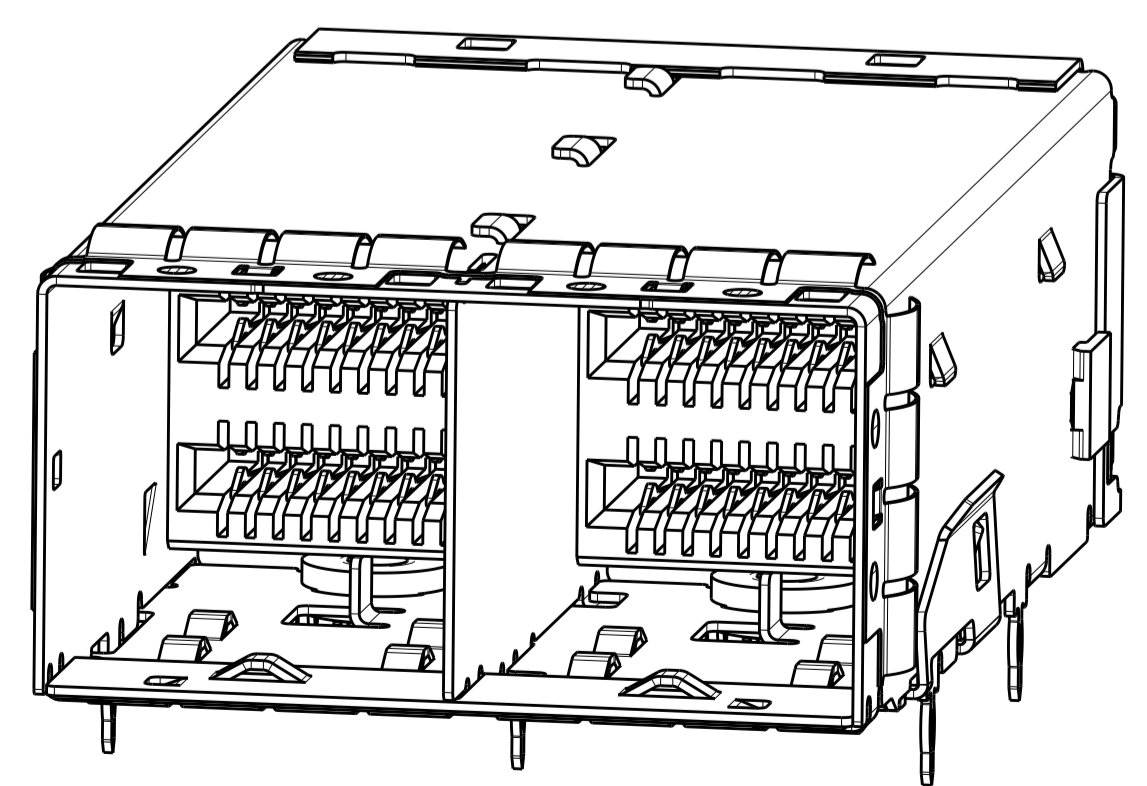
RECOMMENDED PCB LAYOUT

RECOMMENDED I/O PANEL CUTOUT  
SCALE=5:1

TOP SURFACE OF PCB



DETAIL X  
SCALE 20:1



THIS DRAWING IS A CONTROLLED DOCUMENT.		OWN P. KERLIN	20SEP2010	TE Connectivity
DIMENSIONS:		CHK J. SECHRIST	20SEP2010	
mm	TOLERANCES UNLESS OTHERWISE SPECIFIED:	APVD	NAME	RECEPTACLE ASSEMBLY, MINI-SAS HD, 2X
	0 PLC ± 1 PLC ± 2 PLC ± 3 PLC ± 4 PLC ± ANGLES ±	PRODUCT SPEC 108-2462	APPLICATION SPEC	
MATERIAL	FINISH	WEIGHT	SIZE 114-13316	RESTRICTED TO
			Customer Drawing	SCALE 8:1 SHEET 2 OF 2 REV C

## X-ON Electronics

Largest Supplier of Electrical and Electronic Components

*Click to view similar products for [I/O Connectors](#) category:*

*Click to view products by [TE Connectivity](#) manufacturer:*

Other Similar products are found below :

[571763P](#) [58098-0628](#) [72.250.1628.2](#) [72.250.2428.2](#) [74720-0505](#) [76.350.0729.0](#) [76871-1403](#) [FCN-244F080-G/1](#) [FCN-260A9920](#) [PCR-E36PM](#) [PCS-XE26MA+](#) [G38A71314B](#) [DX40-50P\(55\)](#) [1571250010](#) [157-22500-3](#) [MS3471L14-19P L/C](#) [91-569786-35H](#) [172501-4002](#) [172501-6002](#) [FCN-260C008-A/L0](#) [FCN-260C024-AL0](#) [FCN-261Z008](#) [2000314-1](#) [200331-1](#) [PCR-E36FC+](#) [PCS-E28FS+](#) [PCS-XE26SLFD+](#) [PCS-XE26SLFDT+](#) [G730VID08BDC24](#) [U90B2054081210](#) [UE86K842720321](#) [38113800006](#) [DP3AR020WQ1R200](#) [Z4.102.0680.0](#) [500-1040](#) [500-1052](#) [500-1054](#) [ZP-4008-66L](#) [0709821002](#) [10-565995-597N](#) [DX40-20P\(55\)](#) [5554841-1](#) [MS3474W18-8P-LC\\*](#) [U90B3054061110](#) [U65-E04-4020](#) [ZPF000000000097891](#) [557-262M2-06C](#) [747360449](#) [10099439-003C-TRLF](#) [10137239-0021LF](#)