



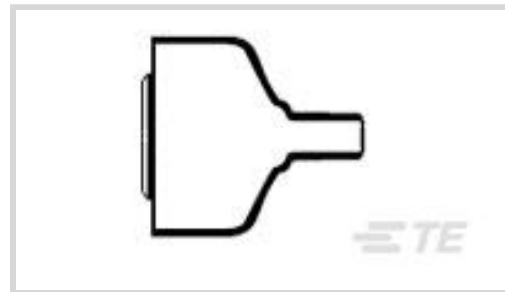
Raychem

TE Internal #: 054832-000

D-Sub Connector Boots, Straight Boot Angle, Adhesive Pre-Coating, High Performance Pre-Coat Adhesive, 0 Position, 0mm [0in] Centerline

[View on TE.com >](#)

Connectors > D-Shaped Connectors > D-Sub Accessories > D-Sub Connector Boots



Boot Angle: **Straight**

Adhesive Pre-Coating: **With**

Adhesive Description: **High Performance Pre-Coat Adhesive**

Number of Positions: **0**

Centerline (Pitch): **0 mm [0 in]**

Features

Product Type Features

Product Type	Molded Boot
Molded Part Type	D Subminiature Boot
Adhesive Description	High Performance Pre-Coat Adhesive

Configuration Features

Number of Positions	0
---------------------	---

Body Features

Material Systems Code	25
Material	Fluid Resistant Modified Elastomer
Material Code	25
Boot Angle	Straight
Adhesive Pre-Coating	With

Contact Features

Contact Current Rating (Max)	0 A
------------------------------	-----

Housing Features

Centerline (Pitch)	0 mm[0 in]
--------------------	------------

Dimensions

Connector Length	28 mm
Connector Width	10.7 mm[.421 in]



Usage Conditions

Operating Temperature Range	-75 – 150 °C[-103 – 302 °F]
-----------------------------	-----------------------------

Other

Adhesive Code	225
Comment	Use only with DR-25 tubing.
Adhesive Options	/225 Precoat

Product Compliance

[For compliance documentation, visit the product page on TE.com>](#)

EU RoHS Directive 2011/65/EU	Compliant
EU ELV Directive 2000/53/EC	Compliant
China RoHS 2 Directive MIIT Order No 32, 2016	No Restricted Materials Above Threshold
EU REACH Regulation (EC) No. 1907/2006	Current ECHA Candidate List: JUN 2020 (209) Candidate List Declared Against: JUN 2020 (209) Does not contain REACH SVHC
Halogen Content	Not Low Halogen - contains Br or Cl > 900 ppm.
Solder Process Capability	Not applicable for solder process capability

Product Compliance Disclaimer

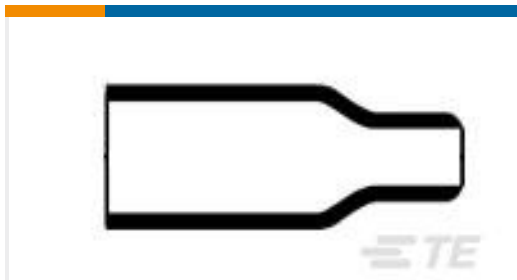
This information is provided based on reasonable inquiry of our suppliers and represents our current actual knowledge based on the information they provided. This information is subject to change. The part numbers that TE has identified as EU RoHS compliant have a maximum concentration of 0.1% by weight in homogenous materials for lead, hexavalent chromium, mercury, PBB, PBDE, DBP, BBP, DEHP, DIBP, and 0.01% for cadmium, or qualify for an exemption to these limits as defined in the Annexes of Directive 2011/65/EU (RoHS2). Finished electrical and electronic equipment products will be CE marked as required by Directive 2011/65/EU. Components may not be CE marked. Additionally, the part numbers that TE has identified as EU ELV compliant have a maximum concentration of 0.1% by weight in homogenous materials for lead, hexavalent chromium, and mercury, and 0.01% for cadmium, or qualify for an exemption to these limits as defined in the Annexes of Directive 2000/53/EC (ELV). Regarding the REACH Regulation, the information TE provides on SVHC in articles for this part number is based on the latest European Chemicals Agency (ECHA) 'Guidance on requirements for substances in articles' posted at this URL: <https://echa.europa.eu/guidance-documents/guidance-on-reach>

Compatible Parts



TE Part # CJ2087-000
[HL2010E-KIT-120V](#)

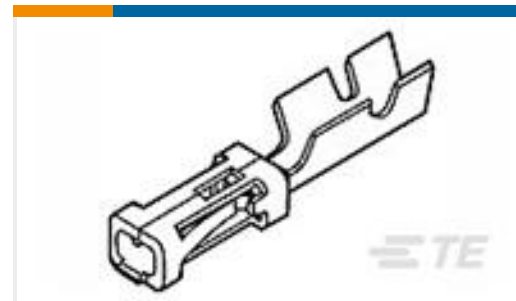
Customers Also Bought



TE Part #813854-000
[202A153-3-0](#)



TE Part #321895
[SOLIS R HT 22-16COMM22-18MIL 8](#)



TE Part #87046-4
[MOD IV RECP LP](#)



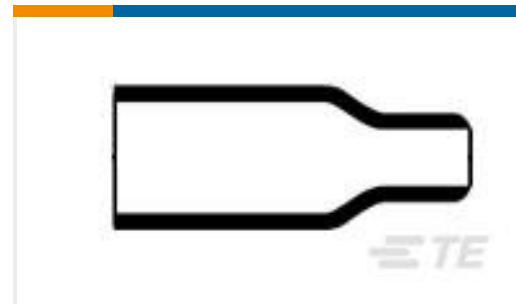
TE Part #62827-1
[WELD TAB 24-22 AWG SST](#)



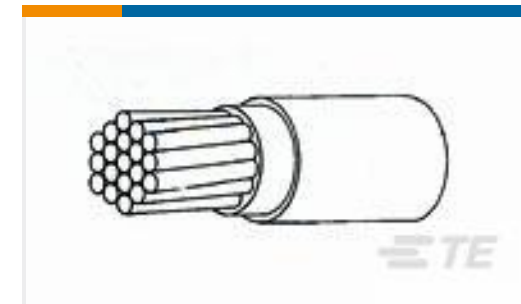
TE Part #5225392-7
[SERIES N PLUG](#)



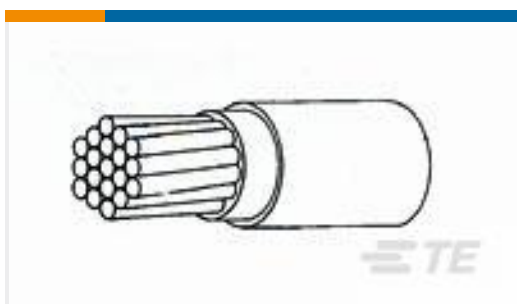
TE Part #225550-2
[TNC PLUG DUAL W/P](#)



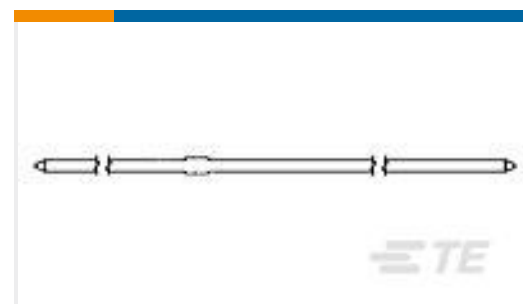
TE Part #814416-000
[202A132-4/42-0](#)



TE Part #282320-003
[81044/12-20-3](#)



TE Part #282526-000
[81044/12-20-7](#)



TE Part #85931-2
[MODII POST LP 30 AU](#)

Documents

Product Drawings

[214A021-25/225-0](#)

English

[214A021-25/225-0](#)

English

Datasheets & Catalog Pages

[1654025_Sec4_-25](#)

English



[Raychem Molded Parts Visual Guide](#)

English

[Product Specifications](#)

[Product Specification](#)

English

[Product Environmental Compliance](#)

[Safety Datasheet](#)

[Safety Datasheet](#)

[Safety Datasheet](#)

German

[Safety Datasheet](#)

German

[Safety Datasheet](#)

English

[Safety Datasheet](#)

English

[Safety Datasheet](#)

[Safety Datasheet](#)

[Safety Datasheet](#)

French

[Safety Datasheet](#)

French

[Safety Datasheet](#)

[Safety Datasheet](#)

[Safety Datasheet](#)

[Safety Datasheet](#)

[Safety Datasheet](#)

[Safety Datasheet](#)

[Safety Datasheet](#)

X-ON Electronics

Largest Supplier of Electrical and Electronic Components

Click to view similar products for [Cable Boots](#) category:

Click to view products by [TE Connectivity](#) manufacturer:

Other Similar products are found below :

[618235-000](#) [622A014-3-0](#) [CX4132-000](#) [879515-000](#) [982033-2](#) [R280576000](#) [1300830729](#) [EN3BOOTLKIT](#) [MTPSRBCL-C](#) [1811481-1](#)
[200W531-3-0](#) [202A121-386-0](#) [202A142-4-00/42-0](#) [202A163-4-0-CS5067](#) [202B221-13-0](#) [202B231-13-0](#) [202B563-25-07-0](#)
[202C621710CS5361](#) [202D132-4-07/42-0](#) [202D221-4-0-CS5349](#) [202D221-4-26-0](#) [202D263-25-08-0](#) [202D263-4-22/42-0](#) [202D263-4-88-0](#)
[202D921-2542-0](#) [202E336-71-0](#) [202F211-50-22-0-CS8474](#) [202F242-50-05-0](#) [202F242-51-04/164-0](#) [202K121-25-CS-1858-0](#) [202K121-25-](#)
[CS-2062-0](#) [202K132-25-01/225-0CS8387](#) [202K153-3-0186-0](#) [202S132-25-UP-0](#) [203W301-3/42-0](#) [207W613-100/184-0-CS5657](#) [207W623-](#)
[100-01/184-0](#) [207W634-100/184-0-CS5657](#) [207W656-100-01/184-0](#) [207W667-100-01/184-0](#) [207W667-100/184-0](#) [208A011-3-0](#) [208A021-3-](#)
[0](#) [221A011-51164-0-CS7133](#) [222A121-2586](#) [222A152-342-0](#) [222A213-25-0-CS5613](#) [222D221-25-13/86-0](#) [222D232-4-61-0-CS5078](#)
[222D253-100-22-0](#)