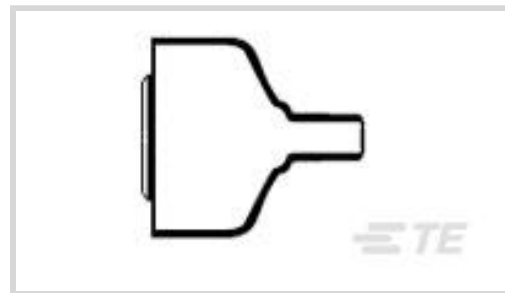




Connectors > D-Shaped Connectors > D-Sub Accessories > D-Sub Connector Boots



Angle: **Straight**

Adhesive Pre-Coating: **With**

Adhesive Description: **High Performance Pre-Coat Adhesive**

Sealable: **Yes**

### Features

#### Product Type Features

Product Type	Molded Boot
Molded Part Type	D Subminiature Boot
Angle	Straight
Adhesive Description	High Performance Pre-Coat Adhesive
Sealable	Yes

#### Body Features

Material Systems Code	10
Material	Semi rigid Modified Polyolefin
Material Code	3
Adhesive Pre-Coating	With

#### Dimensions

Connector Length	42 – 42.2 mm[1.654 – 1.661 in]
Connector Width	10.7 mm[.421 in]

#### Other

Adhesive Code	86
Adhesive Options	/86 Precoat

### Product Compliance

[For compliance documentation, visit the product page on TE.com>](#)

EU RoHS Directive 2011/65/EU	Compliant
------------------------------	-----------

EU ELV Directive 2000/53/EC	Compliant
China RoHS 2 Directive MIIT Order No 32, 2016	No Restricted Materials Above Threshold
EU REACH Regulation (EC) No. 1907/2006	Current ECHA Candidate List: JAN 2019 (197) Candidate List Declared Against: JAN 2019 (197)
Halogen Content	Not Low Halogen - contains Br or Cl > 900 ppm.
Solder Process Capability	Not applicable for solder process capability

Product Compliance Disclaimer

This information is provided based on reasonable inquiry of our suppliers and represents our current actual knowledge based on the information they provided. This information is subject to change. The part numbers that TE has identified as EU RoHS compliant have a maximum concentration of 0.1% by weight in homogenous materials for lead, hexavalent chromium, mercury, PBB, PBDE, DBP, BBP, DEHP, DIBP, and 0.01% for cadmium, or qualify for an exemption to these limits as defined in the Annexes of Directive 2011/65/EU (RoHS2). Finished electrical and electronic equipment products will be CE marked as required by Directive 2011/65/EU. Components may not be CE marked. Additionally, the part numbers that TE has identified as EU ELV compliant have a maximum concentration of 0.1% by weight in homogenous materials for lead, hexavalent chromium, and mercury, and 0.01% for cadmium, or qualify for an exemption to these limits as defined in the Annexes of Directive 2000/53/EC (ELV). Regarding the REACH Regulations, TE's information on SVHC in articles for this part number is still based on the European Chemical Agency (ECHA) 'Guidance on requirements for substances in articles' (Version: 2, April 2011), applying the 0.1% weight on weight concentration threshold at the finished product level. TE is aware of the European Court of Justice ruling of September 10th, 2015 also known as O5A (Once An Article Always An Article) stating that, in case of 'complex object', the threshold for a SVHC must be applied to both the product as a whole and simultaneously to each of the articles forming part of its composition. TE has evaluated this ruling based on the new ECHA "Guidance on requirements for substances in articles" (June 2017, version 4.0) and will be updating its statements accordingly.

### Compatible Parts



TE Part # CJ2087-000  
HL2010E-KIT-120V

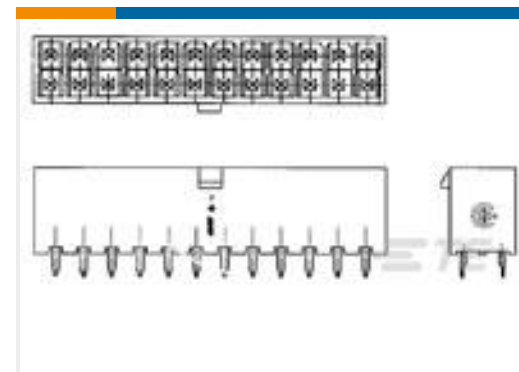
### Customers Also Bought



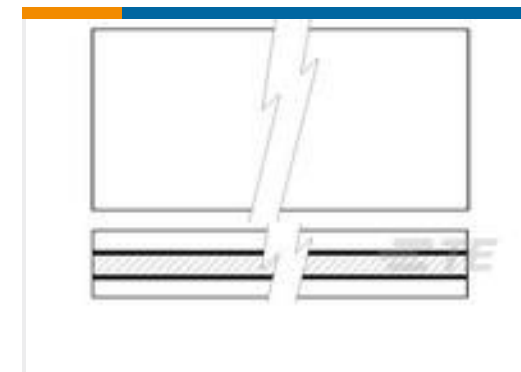
TE Part #YD369-B99-  
NP000000  
369 9 WAY PANEL MNT  
REC, NO CONTACTS,PIN



TE Part #YD369-B33-  
NP000000  
369 3 WAY PANEL MNT  
REC, NO CONTACTS,PIN



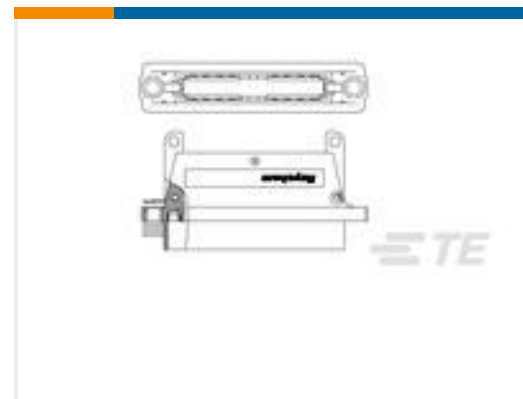
TE Part #1-1586038-8  
18P VRT HDR VAL-U-LOK  
V0



TE Part #722834-000  
CHA-0045



TE Part #CTJ420E170-513  
ELEC MODULE



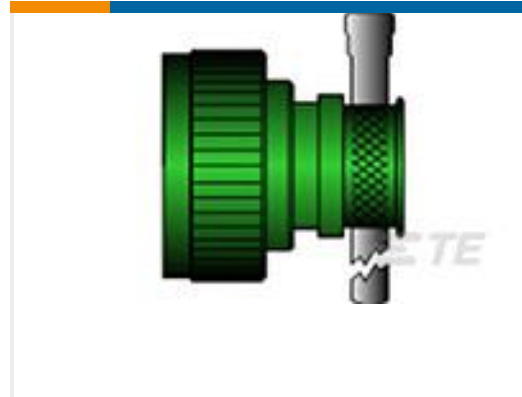
TE Part #CW9970-000  
MTC50-SH2-F34



TE Part #CW9981-000  
MTC50-SH2-P34



TE Part #YD369-B66-  
NP000000  
369 6 WAY PANEL MNT  
REC, NO CONTACTS,PIN



TE Part #CW3794-000  
R85049/85-14W02



TE Part #952861-000  
SO63-4-55-26-90

## Documents

### Product Drawings

[214A032-3/86-0](#)

English

### Datasheets & Catalog Pages

[1654025\\_Sec4\\_-3](#)

English

### Product Specifications

[Product Specification](#)

English

### Product Environmental Compliance

[Safety Datasheet](#)

[Safety Datasheet](#)

English

[Safety Datasheet](#)

French

[Safety Datasheet](#)

German

[Safety Datasheet](#)

[Safety Datasheet](#)

[Safety Datasheet](#)

[Safety Datasheet](#)

English

[Safety Datasheet](#)



French

[Safety Datasheet](#)

German

[Safety Datasheet](#)

[Safety Datasheet](#)

[Safety Datasheet](#)

[Safety Datasheet](#)

[Safety Datasheet](#)

[Safety Datasheet](#)

[Safety Datasheet](#)

English

## X-ON Electronics

Largest Supplier of Electrical and Electronic Components

*Click to view similar products for [Cable Boots](#) category:*

*Click to view products by [TE Connectivity](#) manufacturer:*

Other Similar products are found below :

[618235-000](#) [622A014-3-0](#) [CX4132-000](#) [879103-4](#) [879515-000](#) [982033-2](#) [R280576000](#) [1300830729](#) [EN3BOOTLKIT](#) [MTPSRBCL-C](#)  
[1811481-1](#) [200W531-3-0](#) [202A121-386-0](#) [202A142-4-00/42-0](#) [202A163-4-0-CS5067](#) [202B221-13-0](#) [202B231-13-0](#) [202B563-25-07-0](#)  
[202C621710CS5361](#) [202D132-4-07/42-0](#) [202D221-4-0-CS5349](#) [202D221-4-26-0](#) [202D263-25-08-0](#) [202D263-4-22/42-0](#) [202D263-4-88-0](#)  
[202D921-2542-0](#) [202E336-71-0](#) [202F211-50-22-0-CS8474](#) [202F242-50-05-0](#) [202F242-51-04/164-0](#) [202K121-25-CS-1858-0](#) [202K121-25-](#)  
[CS-2062-0](#) [202K132-25-01/225-0CS8387](#) [202K153-3-0186-0](#) [202S132-25-UP-0](#) [203W301-3/42-0](#) [207W613-100/184-0-CS5657](#) [207W623-](#)  
[100-01/184-0](#) [207W634-100/184-0-CS5657](#) [207W656-100-01/184-0](#) [207W667-100-01/184-0](#) [207W667-100/184-0](#) [208A011-3-0](#) [208A021-3-](#)  
[0](#) [221A011-51164-0-CS7133](#) [222A121-2586](#) [222A152-342-0](#) [222A213-25-0-CS5613](#) [222D221-25-13/86-0](#) [222D232-4-61-0-CS5078](#)