

Molded Parts Specification Control Drawing

Part Number : 214A311 thru 352
Description : Boot, Rectangular, Subminiature, Straight, Overexpanded

NOTES

- All dimensions are in $\frac{\text{inches}}{\text{[millimeters]}}$
- Dimensions appearing in table are as follows:
 - a - As Supplied
 - b - After Unrestricted Recovery
- Coating is optional. As supplied dimensions appearing in table are for uncoated parts. When coating is added, entry diameters will be reduced by .06 max.
- Molding ports are optional. When -00 modification number is specified molding ports will be located as shown.

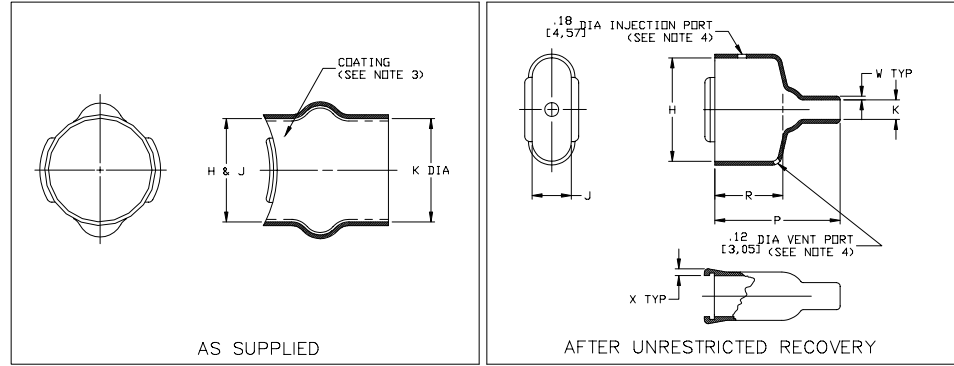


TABLE OF DIMENSIONS

| PART NUMBER | H | | J | | K | | P | R | W | X | This Boot Fits | |
|-------------|----------------|----------------|----------------|---------------|----------------|---------------|----------------|----------------|--------------|--------------|----------------|-----------|
| | Min a | ±5% b | Min a | ±5% b | Min a | Max b | | | | | ±10% b | ±10% b |
| 214A311 | .63 [16,0] | .80 [20,3] | .63 [16,0] | .42 [10,7] | .63 [16,0] | .16 [4,1] | 1.31 [33,3] | .75 [19,1] | .04 [1,0] | .12 [3,0] | DE-9 | XX09X |
| 214A321 | .75 [19,1] | 1.11 [28,2] | .75 [19,1] | .42 [10,7] | .75 [19,1] | .21 [5,3] | 1.53 [38,9] | .87 [22,1] | .04 [1,0] | .12 [3,0] | DA-15 | XX15X |
| 214A332 | 1.15 [29,2] | 1.66 [42,2] | 1.15 [29,2] | .42 [10,7] | 1.15 [29,2] | .32 [8,1] | 1.77 [45,0] | 1.00 [25,4] | .04 [1,0] | .12 [3,0] | DB-25 | XX25X |
| 214A342 | 1.35 [34,3] | 2.31 [58,7] | 1.35 [34,3] | .42 [10,7] | 1.35 [34,3] | .34 [8,6] | 2.10 [53,3] | 1.12 [28,4] | .04 [1,0] | .12 [3,0] | DC-37 | XX37X |
| 214A352 | 1.48 [37,6] | 2.28 [57,9] | 1.48 [37,6] | .54 [13,7] | 1.48 [37,6] | .42 [10,7] | 2.40 [61,0] | 1.25 [31,8] | .04 [1,0] | .12 [3,0] | DD-50 | XX50X |

TYCO Electronics Raychem
TYCO ELECTRONICS
307 CONSTITUTION DRIVE
MENLO PARK, CALIFORNIA 94025

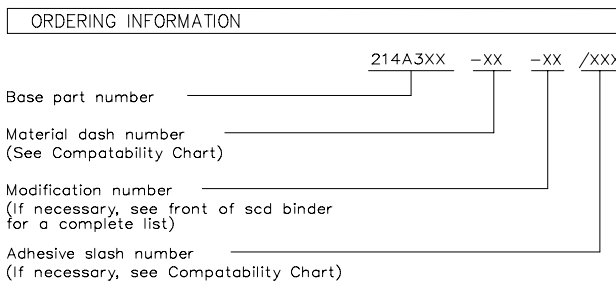
Revision : M
Date : 10/04/01

Part Number : 214A311 thru 352
Description : Boot, Rectangular, Subminiature, Straight, Overexpanded

Molded Parts Specification Control Drawing

Part Number : 214A311 thru 352
Description : Boot, Rectangular, Subminiature, Straight, Overexpanded

| MATERIAL DASH NO. | MATERIAL DESCRIPTION | RT SPEC | COATING SLASH NO. | COATING S NO. | COATING DESCRIPTION |
|-------------------|-----------------------------------|---------|-------------------|---------------|---------------------|
| -3 | Polyolefin, Semi-rigid | RT-301 | /42;/86 | S-1017;S-1048 | Adhesive |
| -4 | Polyolefin, Flexible | RT-1304 | /42;/86 | S-1017;S-1048 | Adhesive |
| -5 | Elastomer, Flexible | RT-501 | /42 | S-1017 | Adhesive |
| -8 | Polyolefin, Space | RT-1308 | N/A | | |
| -25 | Elastomer, Fluid Resistant | RT-1325 | /86;/225 | S-1048;S-1206 | Adhesive |
| -100 | Polyolefin Semi-Flexible ZEROHAL™ | RT-1323 | /86 | S-1048 | Adhesive |



THIS DRAWING IS SUBJECT TO CHANGE WITHOUT NOTICE; CONSULT YOUR NEAREST FIELD REPRESENTATIVE FOR CURRENT REVISION

TYCO Electronics Raychem
TYCO ELECTRONICS
307 CONSTITUTION DRIVE
MENLO PARK, CALIFORNIA 94025

Revision : M
Date : 10/04/01

Part Number : 214A311 thru 352
Description : Boot, Rectangular, Subminiature, Straight, Overexpanded

X-ON Electronics

Largest Supplier of Electrical and Electronic Components

Click to view similar products for [Heat Shrink Cable Boots & End Caps](#) category:

Click to view products by [TE Connectivity](#) manufacturer:

Other Similar products are found below :

[577159N001](#) [645494-000](#) [CX4132-000](#) [687025-000](#) [705331-000](#) [718446-000](#) [725666N001](#) [729257-000](#) [F27131-000](#) [F85868-000](#) [770-003S106W2](#) [806542N001](#) [807507-000](#) [808059-000](#) [808362-000](#) [808618-000](#) [809125-000](#) [809130-000](#) [809218-000](#) [812014-000](#) [812047-000](#) [813166-000](#) [813767N002](#) [814741-000](#) [819117N001](#) [823026-000](#) [823070-000](#) [825002-000](#) [841189N001](#) [861471-000](#) [866647-000](#) [879515-000](#) [937577-000](#) [957073-000](#) [982033-2](#) [A77813-000](#) [R280576000](#) [D96192-000](#) [163549-000](#) [MTPSRBCL-C](#) [1954015-1](#) [200W531-3-0](#) [202A163-4-0-CS5067](#) [202A343-3-00-0](#) [202B221-13-0](#) [202B231-13-0](#) [202B563-25-07-0](#) [202C241-13-0](#) [202D121-4-01/86-0](#) [202D132-4-07/42-0](#)