

LIMITED DISTRIBUTION

NOTES

- ALL DIMENSIONS ARE IN INCHES
(MILLIMETERS)
- DIMENSIONS APPEARING IN TABLE ARE AS FOLLOWS:
a - AS SUPPLIED
b - AFTER UNRESTRICTED RECOVERY
- COATING IS STANDARD. AS SUPPLIED DIMENSIONS APPEARING IN TABLE ARE FOR UNCOATED PARTS. WHEN COATING IS ADDED, ENTRY DIAMETERS WILL BE REDUCED BY .06 MAX.. PART IS COATED THROUGHOUT INCLUDING LIPS.

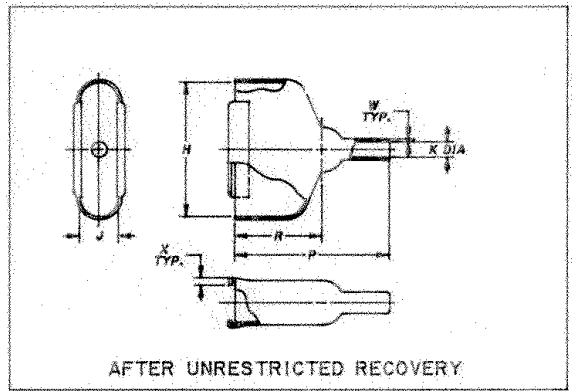
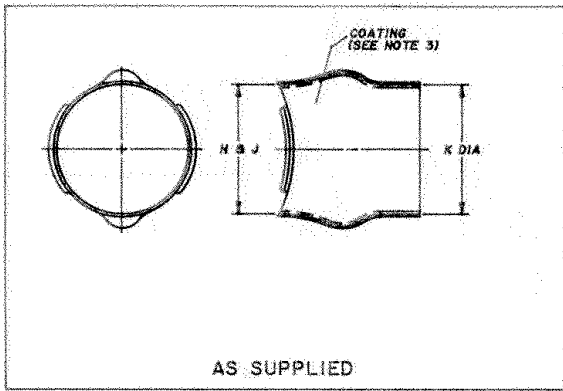


TABLE OF DIMENSIONS

PART NUMBER	H		J		K		P ±10% b	R ±10% b	W ±20% b	X ±20% b
	Min a	±5% b	Min a	±5% b	Min a	MAX b				
214A311	.63 (16,0)	.80 (20,3)	.63 (16,0)	.42 (10,7)	.63 (16,0)	.16 (4,1)	1.31 (33,3)	.75 (19,1)	.04 (1,02)	.12 (3,05)
214A321	.75 (19,1)	1.11 (28,2)	.75 (19,1)	.42 (10,7)	.75 (19,1)	.21 (5,3)	1.53 (38,9)	.87 (22,1)	.04 (1,02)	.12 (3,05)
214A332	1.15 (29,2)	1.66 (42,2)	1.15 (29,2)	.42 (10,7)	1.15 (29,2)	.32 (8,1)	1.77 (45,0)	1.00 (25,4)	.04 (1,02)	.12 (3,05)
214A342	1.35 (34,3)	2.31 (58,7)	1.35 (34,3)	.42 (10,7)	1.35 (34,3)	.34 (8,6)	2.10 (53,3)	1.12 (28,4)	.04 (1,02)	.12 (3,05)
214A352	1.48 (37,6)	2.28 (57,9)	1.48 (37,6)	.54 (13,7)	1.48 (37,6)	.42 (10,7)	2.40 (61,0)	1.25 (31,8)	.04 (1,02)	.12 (3,05)

Raychem
RAYCHEM CORPORATION
300 CONSTITUTION DRIVE
MENLO PARK, CALIFORNIA 94025
(415) 361-6033

REVISION : NEW Part Number: 214A3XX-X-02
DATE: 9-17-84 Description: BOOT, RECTANGULAR, SUBMINIATURE, STRAIGHT, OVER EXPANDED

LIMITED DISTRIBUTION

Part Number : 214A3XX-X-02

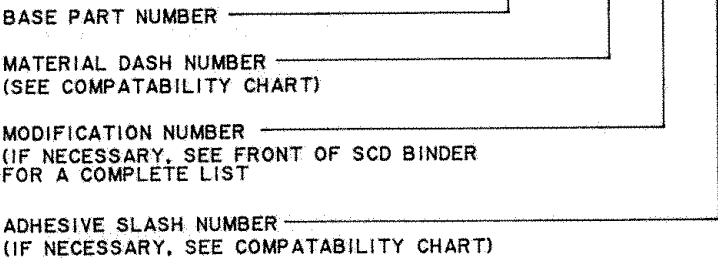
Description : *BOOT, RECTANGULAR,
 SUBMINIATURE, STRAIGHT, OVER EXPANDED*

COMPATABILITY CHART

MATERIAL DASH NO.	MATERIAL DESCRIPTION	RT SPEC	COATING SLASH NO.	COATING S NO.	COATING DESCRIPTION
-3	POLYOLEFIN, SEMI-RIGID	RT-301	/42:/86	S-1017:S-1048	ADHESIVE
-4	POLYOLEFIN, FLEXIBLE	RT-1304	/42:/86	S-1017:S-1048	ADHESIVE
-8	POLYOLEFIN, SPACE	RT-1308			

ORDERING INFORMATION

214A3XX -X -02 /XX



THIS DRAWING IS SUBJECT TO CHANGE WITHOUT NOTICE. CONSULT YOUR
 NEAREST FIELD REPRESENTATIVE FOR CURRENT REVISION

Raychem
 RAYCHEM CORPORATION
 300 CONSTITUTION DRIVE
 MENLO PARK, CALIFORNIA 94025
 (415) 361-6000

REVISION: NEW
 DATE: 9-17-84

Part Number : 214A3XX-X-02
 Description : *BOOT, RECTANGULAR,
 SUBMINIATURE, STRAIGHT, OVER EXPANDED*

X-ON Electronics

Largest Supplier of Electrical and Electronic Components

Click to view similar products for [Heat Shrink Cable Boots & End Caps](#) category:

Click to view products by [TE Connectivity](#) manufacturer:

Other Similar products are found below :

[577159N001](#) [645494-000](#) [CX4132-000](#) [687025-000](#) [705331-000](#) [718446-000](#) [725666N001](#) [729257-000](#) [F27131-000](#) [F85868-000](#) [770-003S106W2](#) [770-013210W1](#) [770-013311](#) [770-013312](#) [806542N001](#) [807507-000](#) [808362-000](#) [808618-000](#) [809125-000](#) [809130-000](#) [809218-000](#) [812014-000](#) [812047-000](#) [813166-000](#) [813767N002](#) [814741-000](#) [819117N001](#) [823026-000](#) [823070-000](#) [825002-000](#) [841189N001](#) [861471-000](#) [866647-000](#) [879515-000](#) [937577-000](#) [957073-000](#) [982033-2](#) [A77813-000](#) [R280576000](#) [D96192-000](#) [163549-000](#) [EN3BOOTLKIT](#) [MTPSRBCL-C](#) [1954015-1](#) [200W531-3-0](#) [202A163-4-0-CS5067](#) [202A343-3-00-0](#) [202B221-13-0](#) [202B231-13-0](#) [202B563-25-07-0](#)