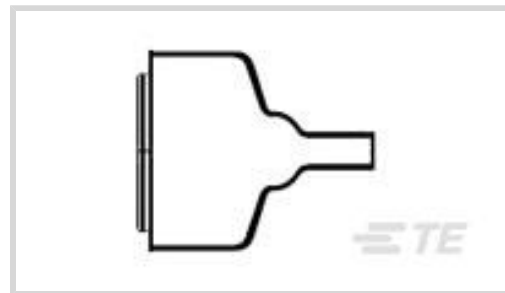




Connectors > D-Shaped Connectors > D-Sub Accessories > D-Sub Connector Boots



Angle: **Straight**

Adhesive Pre-Coating: **Without**

Sealable: **No**

Features

Product Type Features

Product Type	Molded Boot
Molded Part Type	D Subminiature Boot
Angle	Straight
Sealable	No

Body Features

Material Systems Code	25
Material	Fluid Resistant Modified Elastomer
Material Code	25
Adhesive Pre-Coating	Without

Dimensions

Connector Length	58 – 58.7 mm[2.283 – 2.311 in]
Connector Width	10.7 mm[.421 in]

Other

Adhesive Code	S1125
Comment	Contact Raychem for additional adhesive and/or cut off boot length information
Adhesive Options	S1030 Separate Adhesive, S1048 Separate Adhesive, S1125 Separate Adhesive

Product Compliance

[For compliance documentation, visit the product page on TE.com>](#)

EU RoHS Directive 2011/65/EU

Compliant

EU ELV Directive 2000/53/EC	Compliant
China RoHS 2 Directive MIIT Order No 32, 2016	No Restricted Materials Above Threshold
EU REACH Regulation (EC) No. 1907/2006	Current ECHA Candidate List: JAN 2019 (197) Candidate List Declared Against: JAN 2019 (197)
Halogen Content	Not Low Halogen - contains Br or Cl > 900 ppm.
Solder Process Capability	Not applicable for solder process capability

Product Compliance Disclaimer

This information is provided based on reasonable inquiry of our suppliers and represents our current actual knowledge based on the information they provided. This information is subject to change. The part numbers that TE has identified as EU RoHS compliant have a maximum concentration of 0.1% by weight in homogenous materials for lead, hexavalent chromium, mercury, PBB, PBDE, DBP, BBP, DEHP, DIBP, and 0.01% for cadmium, or qualify for an exemption to these limits as defined in the Annexes of Directive 2011/65/EU (RoHS2). Finished electrical and electronic equipment products will be CE marked as required by Directive 2011/65/EU. Components may not be CE marked. Additionally, the part numbers that TE has identified as EU ELV compliant have a maximum concentration of 0.1% by weight in homogenous materials for lead, hexavalent chromium, and mercury, and 0.01% for cadmium, or qualify for an exemption to these limits as defined in the Annexes of Directive 2000/53/EC (ELV). Regarding the REACH Regulations, TE's information on SVHC in articles for this part number is still based on the European Chemical Agency (ECHA) 'Guidance on requirements for substances in articles' (Version: 2, April 2011), applying the 0.1% weight on weight concentration threshold at the finished product level. TE is aware of the European Court of Justice ruling of September 10th, 2015 also known as O5A (Once An Article Always An Article) stating that, in case of 'complex object', the threshold for a SVHC must be applied to both the product as a whole and simultaneously to each of the articles forming part of its composition. TE has evaluated this ruling based on the new ECHA "Guidance on requirements for substances in articles" (June 2017, version 4.0) and will be updating its statements accordingly.

Compatible Parts



TE Part # CJ2087-000
HL2010E-KIT-120V

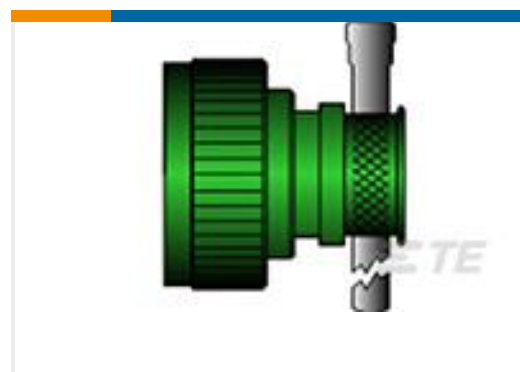


TE Part # 657863-000
S1125-KIT-8

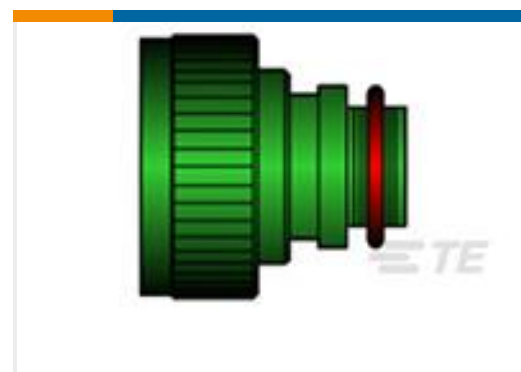
Customers Also Bought



TE Part #2204442-1
MULTI-BEAM HDR/A
PLUG
15S+8P+8LP+8LP+15S



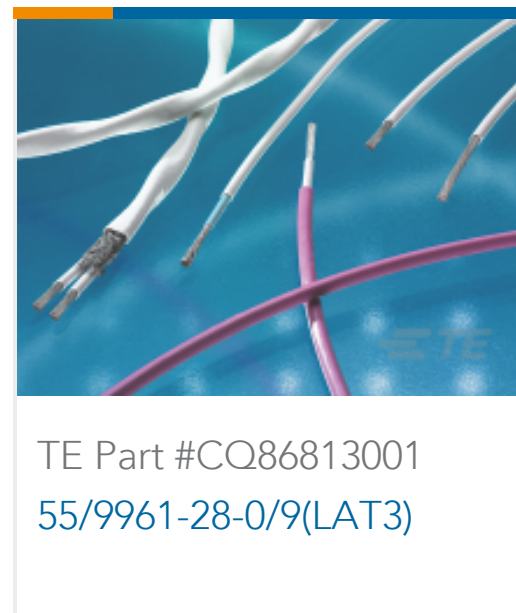
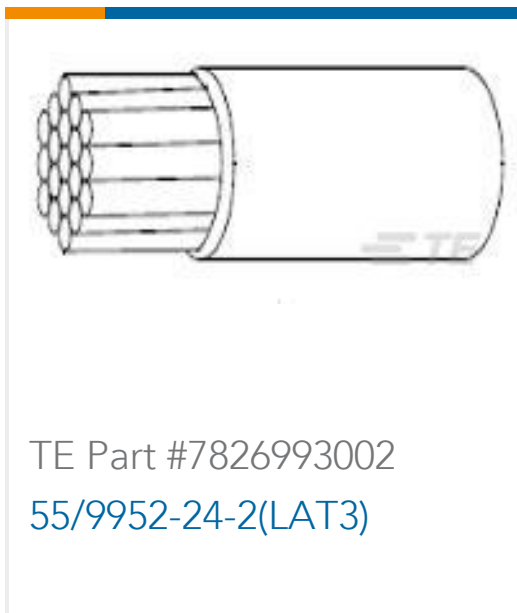
TE Part #CW3793-000
R85049/85-12W02



TE Part #109349-000
TXR41AB00-1810AI



TE Part #2204422-1
MULTI-BEAM HD VER.REC.
15S+8P+8LP+8LP+15S



Documents

Product Drawings

214A352-25-0

English

Datasheets & Catalog Pages

1654025_Sec4_-25

English

Product Specifications

Product Specification

English

Product Environmental Compliance

Safety Datasheet

English

Safety Datasheet

French

Safety Datasheet

German

Safety Datasheet

Safety Datasheet

Safety Datasheet

Safety Datasheet

Safety Datasheet

Safety Datasheet

214A352-25-0

TE Part # 806796-000

TE Internal #: 214A352-25-0



X-ON Electronics

Largest Supplier of Electrical and Electronic Components

Click to view similar products for [Cable Boots](#) category:

Click to view products by [TE Connectivity](#) manufacturer:

Other Similar products are found below :

[618235-000](#) [622A014-3-0](#) [CX4132-000](#) [879515-000](#) [982033-2](#) [R280576000](#) [1300830729](#) [EN3BOOTLKIT](#) [MTPSRBCL-C](#) [1811481-1](#)
[200W531-3-0](#) [202A121-386-0](#) [202A142-4-00/42-0](#) [202A163-4-0-CS5067](#) [202B221-13-0](#) [202B231-13-0](#) [202B563-25-07-0](#)
[202C621710CS5361](#) [202D132-4-07/42-0](#) [202D221-4-0-CS5349](#) [202D221-4-26-0](#) [202D263-25-08-0](#) [202D263-4-22/42-0](#) [202D263-4-88-0](#)
[202D921-2542-0](#) [202E336-71-0](#) [202F211-50-22-0-CS8474](#) [202F242-50-05-0](#) [202F242-51-04/164-0](#) [202K121-25-CS-1858-0](#) [202K121-25-](#)
[CS-2062-0](#) [202K132-25-01/225-0CS8387](#) [202K153-3-0186-0](#) [202S132-25-UP-0](#) [203W301-3/42-0](#) [207W613-100/184-0-CS5657](#) [207W623-](#)
[100-01/184-0](#) [207W634-100/184-0-CS5657](#) [207W656-100-01/184-0](#) [207W667-100-01/184-0](#) [207W667-100/184-0](#) [208A011-3-0](#) [208A021-3-](#)
[0](#) [221A011-51164-0-CS7133](#) [222A121-2586](#) [222A152-342-0](#) [222A213-25-0-CS5613](#) [222D221-25-13/86-0](#) [222D232-4-61-0-CS5078](#)
[222D253-100-22-0](#)