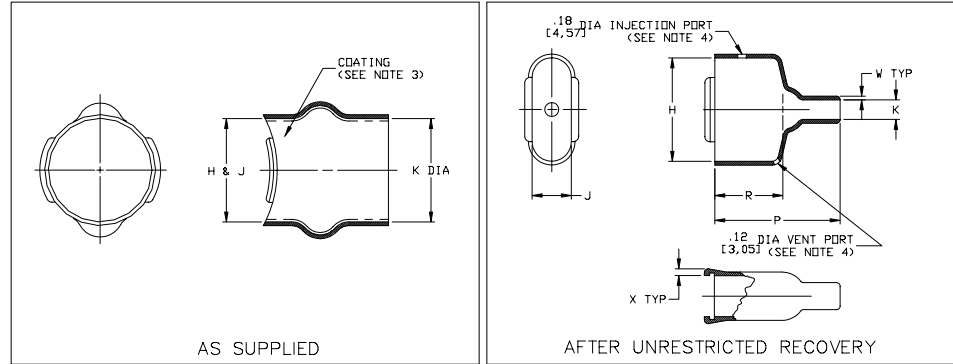


Molded Parts Specification Control Drawing

Part Number : 214A311 thru 352
Description : Boot, Rectangular, Subminiature, Straight, Overexpanded

NOTES

- All dimensions are in $\frac{\text{inches}}{\text{[millimeters]}}$
- Dimensions appearing in table are as follows:
 - a - As Supplied
 - b - After Unrestricted Recovery
- Coating is optional. As supplied dimensions appearing in table are for uncoated parts. When coating is added, entry diameters will be reduced by .06 max.
- Molding ports are optional. When -00 modification number is specified molding ports will be located as shown.



PART NUMBER	H		J		K		P	R	W	X	This Boot Fits					
	Min	±5%	Min	±5%	Min	Max					±10%	±10%	±20%	±20%	Cannon - Cinch	Amphenol Series 17
	a	b	a	b	a	b					b	b	b			
214A311	.63 [16,0]	.80 [20,3]	.63 [16,0]	.42 [10,7]	.63 [16,0]	.16 [4,1]	1.31 [33,3]	.75 [19,1]	.04 [1,0]	.12 [3,0]	DE-9	XX09X				
214A321	.75 [19,1]	1.11 [28,2]	.75 [19,1]	.42 [10,7]	.75 [19,1]	.21 [5,3]	1.53 [38,9]	.87 [22,1]	.04 [1,0]	.12 [3,0]	DA-15	XX15X				
214A332	1.15 [29,2]	1.66 [42,2]	1.15 [29,2]	.42 [10,7]	1.15 [29,2]	.32 [8,1]	1.77 [45,0]	1.00 [25,4]	.04 [1,0]	.12 [3,0]	DB-25	XX25X				
214A342	1.35 [34,3]	2.31 [58,7]	1.35 [34,3]	.42 [10,7]	1.35 [34,3]	.34 [8,6]	2.10 [53,3]	1.12 [28,4]	.04 [1,0]	.12 [3,0]	DC-37	XX37X				
214A352	1.48 [37,6]	2.28 [57,9]	1.48 [37,6]	.54 [13,7]	1.48 [37,6]	.42 [10,7]	2.40 [61,0]	1.25 [31,8]	.04 [1,0]	.12 [3,0]	DD-50	XX50X				

TYCO Electronics Raychem
TYCO ELECTRONICS
307 CONSTITUTION DRIVE
MENLO PARK, CALIFORNIA 94025

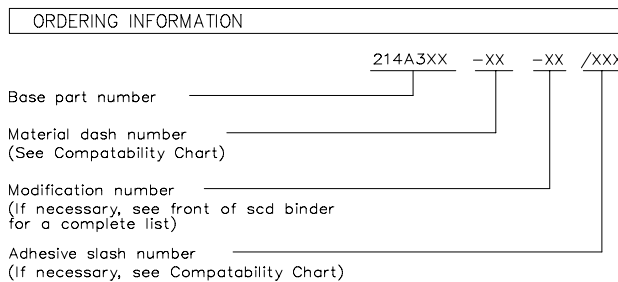
Revision : M
Date : 10/04/01

Part Number : 214A311 thru 352
Description : Boot, Rectangular, Subminiature, Straight, Overexpanded

Molded Parts Specification Control Drawing

Part Number : 214A311 thru 352
Description : Boot, Rectangular, Subminiature, Straight, Overexpanded

MATERIAL DASH NO.	MATERIAL DESCRIPTION	RT SPEC	COATING SLASH NO.	COATING S NO.	COATING DESCRIPTION
-3	Polyolefin, Semi-rigid	RT-301	/42;/86	S-1017;S-1048	Adhesive
-4	Polyolefin, Flexible	RT-1304	/42;/86	S-1017;S-1048	Adhesive
-5	Elastomer, Flexible	RT-501	/42	S-1017	Adhesive
-8	Polyolefin, Space	RT-1308	N/A		
-25	Elastomer, Fluid Resistant	RT-1325	/86;/225	S-1048;S-1206	Adhesive
-100	Polyolefin Semi-Flexible ZEROHAL™	RT-1323	/86	S-1048	Adhesive



THIS DRAWING IS SUBJECT TO CHANGE WITHOUT NOTICE; CONSULT YOUR NEAREST FIELD REPRESENTATIVE FOR CURRENT REVISION

TYCO Electronics Raychem
TYCO ELECTRONICS
307 CONSTITUTION DRIVE
MENLO PARK, CALIFORNIA 94025

Revision : M
Date : 10/04/01

Part Number : 214A311 thru 352
Description : Boot, Rectangular, Subminiature, Straight, Overexpanded

X-ON Electronics

Largest Supplier of Electrical and Electronic Components

Click to view similar products for [Heat Shrink Cable Boots & End Caps](#) category:

Click to view products by [TE Connectivity](#) manufacturer:

Other Similar products are found below :

[577159N001](#) [645494-000](#) [CX4132-000](#) [687025-000](#) [705331-000](#) [718446-000](#) [725666N001](#) [729257-000](#) [F27131-000](#) [F85868-000](#) [770-003S106W2](#) [770-013210W1](#) [770-013311](#) [770-013312](#) [806542N001](#) [807507-000](#) [808362-000](#) [808618-000](#) [809125-000](#) [809130-000](#) [809218-000](#) [812014-000](#) [812047-000](#) [813166-000](#) [813767N002](#) [814741-000](#) [819117N001](#) [823026-000](#) [823070-000](#) [825002-000](#) [841189N001](#) [861471-000](#) [866647-000](#) [879515-000](#) [937577-000](#) [957073-000](#) [982033-2](#) [A77813-000](#) [R280576000](#) [D96192-000](#) [163549-000](#) [EN3BOOTLKIT](#) [MTPSRBCL-C](#) [1954015-1](#) [200W531-3-0](#) [202A163-4-0-CS5067](#) [202A343-3-00-0](#) [202B221-13-0](#) [202B231-13-0](#) [202B563-25-07-0](#)