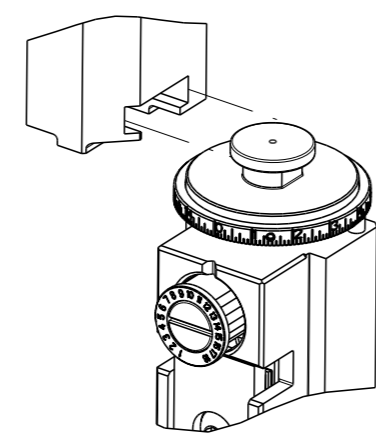


PART NUMBER	REVISION	DESCRIPTION	FEED TYPE
2150549-2	F	FINE CRIMP HEIGHT ADJUST	PNEUMATIC
7-2150549-2	F	PNEUMATIC AND CRIMP TOOLING KIT	PNEUMATIC
7-2150549-7	A	CRIMP TOOLING KIT	-

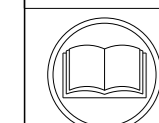
ATLANTIC VERSION TERMINATOR INTERFACE ADAPTER



APPLICATOR DATA		
CRIMP	SIZE	TYPE
WIRE	4.57 mm [.180]	F
INSUL	8.64 mm [.340]	Ø
APPL INSTRUCTIONS 408-35043		

TERMINAL DATA: TE TERMINAL		TE CRIMP SPECIFICATION	
TERMINAL NAME: RECEPTACLE FASTON .250 SERIES			
WIRE STRIP LENGTH		INSULATION DIAMETER RANGE	
5.33-6.10 mm [.210-.240 IN]		Ø5.84-7.11 mm [.230-.280 IN]	
TERMINAL APPLICATION SPECIFICATION	114-2036		
TERMINALS APPLIED			
TE TERMINAL	TE TERMINAL	TE TERMINAL	TE TERMINAL
62998-2			

WIRE SIZE	CRIMP HEIGHT mm [INCH]	CRIMP HEIGHT REFERENCE SETTING
8 AWG	3.05 +/- 0.05 [.120 +/- .002]	3.6
2X 12 AWG	2.79 +/- 0.05 [.110 +/- .002]	5.8
10 AWG	2.54 +/- 0.05 [.100 +/- .002]	8.5



- RECOMMENDED SPARE PARTS
- REFER TO SUPPLIED INSTRUCTION SHEET FOR CLEANING, LUBRICATION AND STORAGE OF APPLICATOR.
- APPLY PART NUMBER 2-23419-6 LOCTITE TO THREADS OF ITEM 242. APPLY PART NUMBER 1-23419-5 LOCTITE TO THREADS OF ITEM 180.
- CRIMP HEIGHT REFERENCE SETTING WAS THE SETTING USED WHEN THE APPLICATOR WAS QUALIFIED AT THE FACTORY. ADJUSTMENT MAY BE NECESSARY WHEN RUNNING APPLICATOR IN THE FIELD.
- TERMINAL PITCH NOT COMPATIBLE WITH MECHANICAL FEED.
- 6. UNLESS SPECIFIED OTHERWISE TORQUE VALUES SHALL BE USED PER DOCUMENT, 101-35000.

***WARNING**
ON INSTALLATION, SET WIRE DISC TO CRIMP HEIGHT REFERENCE SETTING FOR LARGEST WIRE SIZE. CRIMP HEIGHT REFERENCE SETTINGS GREATER THAN THE VALUE SHOWN MAY CAUSE DAMAGE TO THE CRIMP TOOLING. REFER TO THE INSTRUCTION SHEET FOR PROPER SETUP AND ADJUSTMENTS.

LOC	DIST	REVISIONS			
A	66	REV	DATE	BY	APPV
		D	24MAY2018	AW	CT
		D1	06AUG2018	MZ	KZ
		E	09NOV2018	TB	CT
		F	20JUN2019	LG	TE

-	1	1	2119641-1	FEED CAM, AIR FEED	248	
-	1	1	2119082-9	CAM, SNAIL, INSULATION ADJUSTMENT	244	
-	1	1	2079764-1	WASHER, WAVE SPRING, CREST-TO-CREST	243	
-	1	1	2119083-1	RETAINER, INSULATION DIAL	242	
-	1	1	2844940-3	AIR FEED MODULE	238	
-	1	1	1-18028-0	WASHER, FLAT, REG M8	192	
-	1	1	1-1976055-1	STANDOFF, HOLD-DOWN	180	
-	1	1	6-993111-6	PIN, SLOTTED SPRING 3.0 X 14.0	177	
-	1	1	8-22280-7	SPRING, COMPRESSION	176	
-	1	1	1752353-2	GUIDE PIN, HOLDDOWN	175	
-	1	1	1901680-2	GUIDE PIN, HOLDDOWN	174	
-	REF	REF	994970-2	COUNTER, MAGNETIC	164	
-	1	1	455888-5	SPACER, CRIMPER	82	
-	1	1	2119791-5	DEPRESSOR, WIRE	73	
-	1	1	1803607-4	DOCUMENTATION PACKAGE	71	
-	2	2	2-18032-2	SCR, SET, FLT PNT, M3 X 10.0	70	
-	1	1	2119740-1	TAG, IDENTIFICATION	67	
-	2	2	2168078-1	SCREW, DRIVE, RH, RoHS, 2 x .188	66	
-	1	1	1901681-5	HOLDDOWN, TERMINAL	65	
-	2	2	2168400-5	SHCS, LOW HEAD, RoHS, M4 X 20	64	
-	1	1	2168083-2	SCR, SKT HD CAP, RoHS, M4 X 8.0	60	
-	1	1	5-18022-5	SCR, HEX HD CAP, M4 X 6.0	59	
-	3	3	2168400-4	SHCS, LOW HEAD, RoHS, M4 X 8	57	
-	2	2	1-2168083-0	SCR, SKT HD CAP, RoHS, M4 X 10	56	
-	2	2	5018030-1	NUT, HEX, REG, RoHS, M3	54	
-	2	2	986965-8	NUT, LOCK, HEX, TORQUE (M4)	53	
-	1	1	1-5018030-0	NUT, HEX, REG, RoHS, M3.5	52	
-	1	1	2063961-1	FEED FINGER	51	
-	1	1	18023-9	SCR, SKT HD CAP M4 X 6.0	49	
-	1	1	2119655-5	APPLICATOR BASIC ASSEMBLY, EF	46	
-	1	1	1803517-1	RAM ASSEMBLY, EF ATLANTIC	44	
-	1	1	1803602-1	SCR, BHSC, RoHS (M8 X 25)	41	
-	7	7	1-18028-2	WASHER, FLAT, REG M4	33	
-	2	2	2168083-9	SCR, SKT HD CAP, RoHS, M4 X 20	31	
-	2	2	2168083-2	SCR, SKT HD CAP, RoHS, M4 X 8.0	29	
-	1	1	240639-1	STRIPPER (MACHINING)	27	
-	2	2	1-2168083-5	SCR, SKT HD CAP, RoHS, M4 X 30	25	
-	1	1	1752371-5	PLATE, STRIP GUIDE	24	
-	1	1	240825-5	PLATE, STRIP HOLD DOWN	23	
-	2	2	2-22281-3	SPRING, COMPRESSION	22	
-	1	1	1803292-4	DRAG	20	
-	2	2	1901259-7	GUIDE, LOWER STRIP	18	
-	4	4	1-2079383-1	SCR, BHSC, RoHS (M6 X 12)	17	
-	1	1	6-240641-4	SPACER	16	
-	1	1	1752360-1	SPACER, HOLD-DOWN	13	
-	1	1	240644-9	PLATE, REAR SHEAR	11	
-	-	-	-	-	10	
-	1	1	5-690495-1	PLATE, FRONT SHEAR	9	
-	1	2	1	1803003-3	ANVIL, COMBINATION, END FEED	8
-	1	1	1	2217206-8	BLADE, SLUG	7
-	-	-	-	-	6	
-	1	1	1	240641-1	SPACER	5
-	1	1	1	238011-3	BLOCK, CRIMPER SPACER	4
-	1	2	1	4-1803018-3	CRIMPER, INSULATION O	3
-	1	2	1	9-1633664-6	CRIMPER, WIRE	1
-	77	72	-2	PART NO	ITEM NO	

ATLANTIC VERSION
Shown on sheets 1 of 4 & 2 of 4
(Pacific version shown on sheets 3 of 4 & 4 of 4)

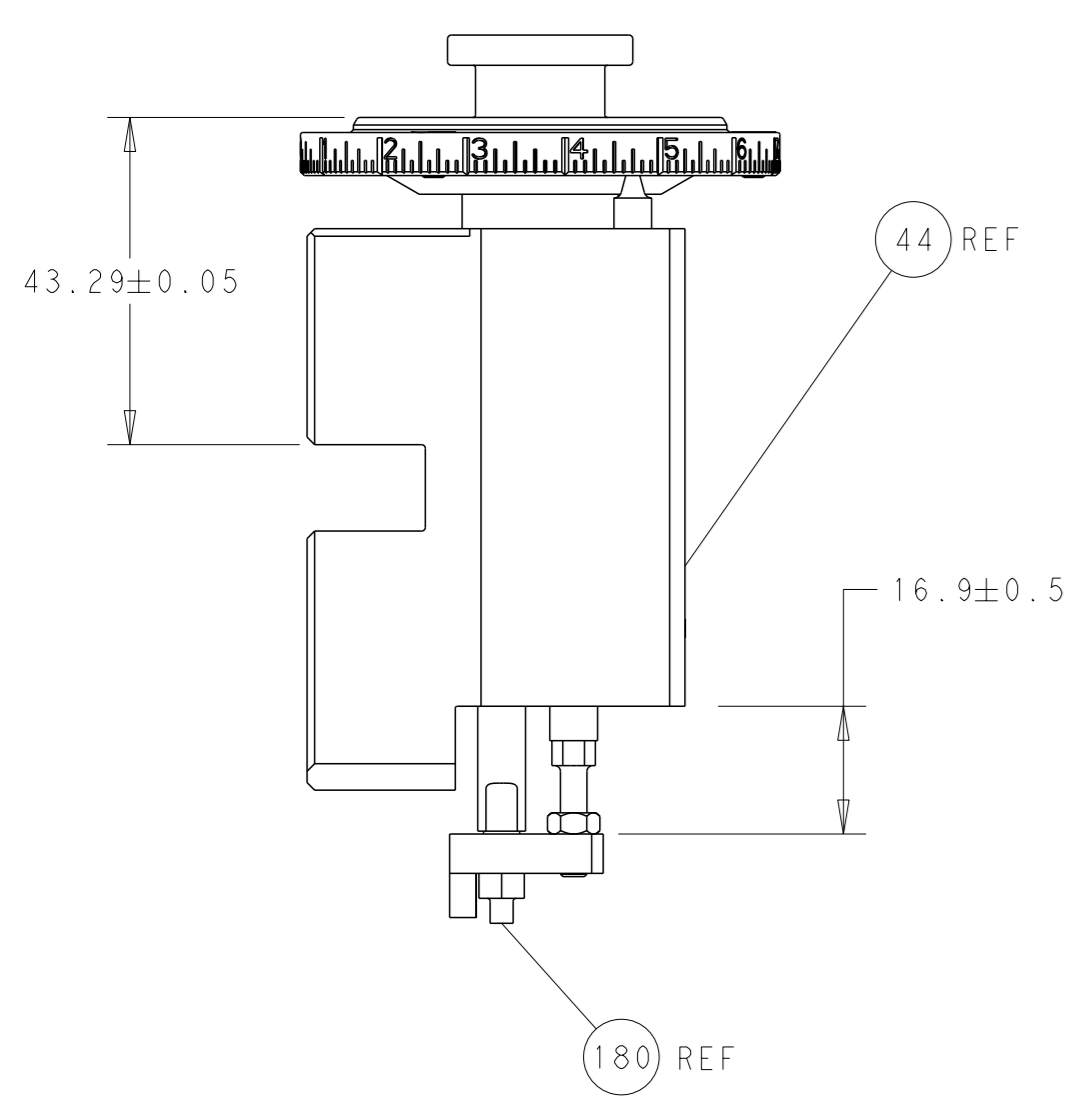
DIMENSIONS:		TOLERANCES UNLESS OTHERWISE SPECIFIED:		APPROVED		NAME	
mm	0 PLC ±	1 PLC ±	2 PLC ±	3 PLC ±	4 PLC ±	FINISH	★
MATERIAL		FINISH		WEIGHT		SCALE	
-		-		-		1:1	

CHK	DATE	NAME	REV
J. HOU	10JUN2015		
L. ZHANG	10JUN2015		
U. GUO	10JUN2015		

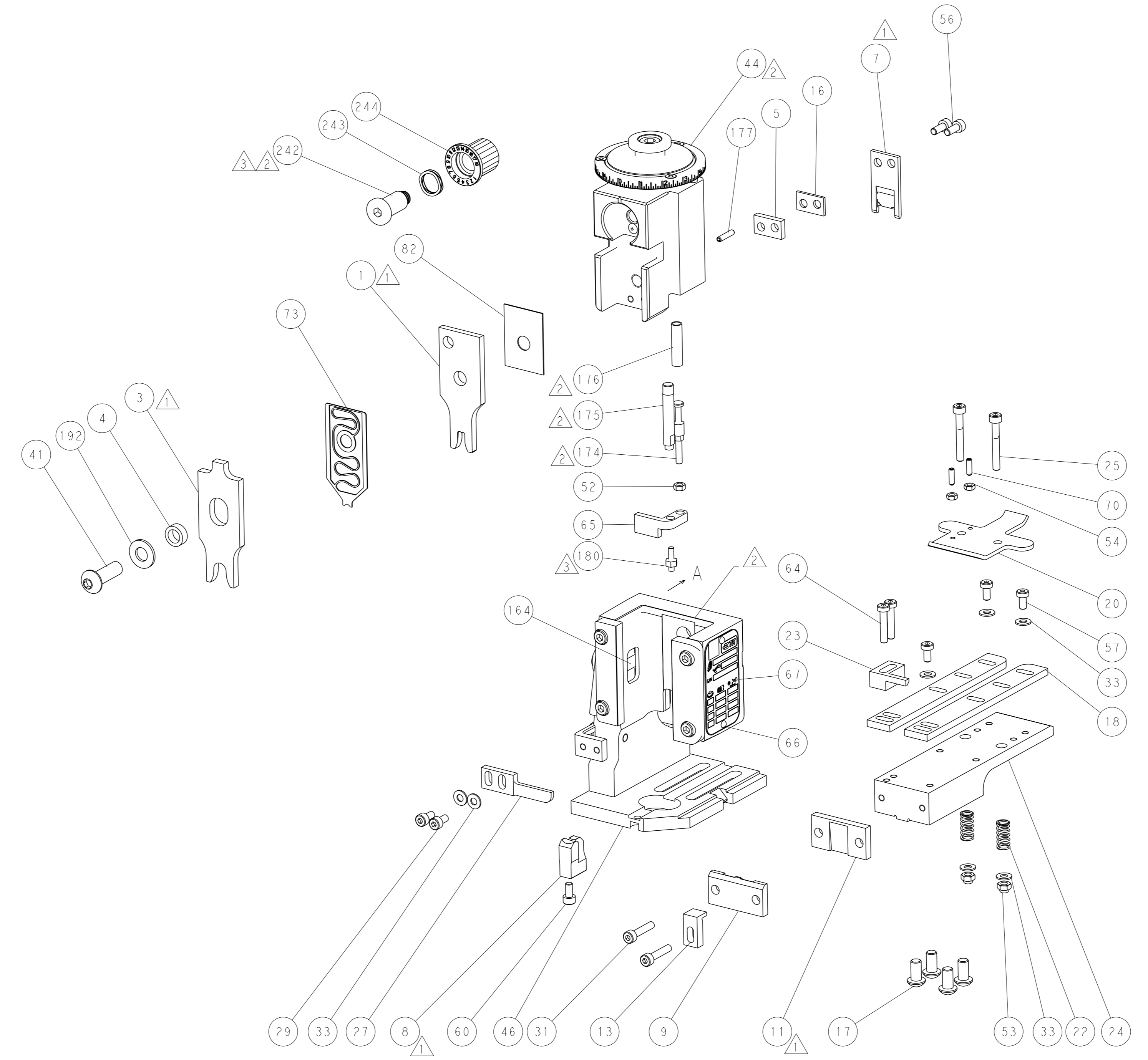
SIZE	CAGE CODE	DRAWING NO	RESTRICTED TO
A1	00779	2150549	-

Customer Accessible Production Drawing

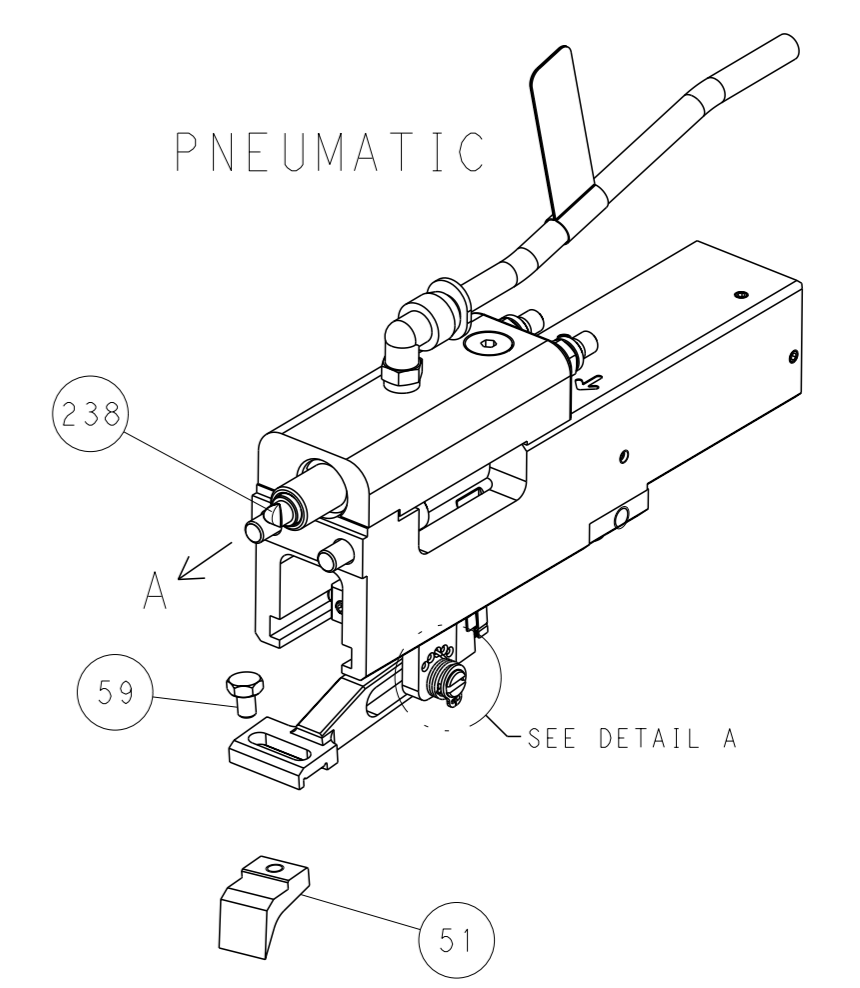
LOC	DIST	REVISIONS			
		REV	DATE	OWN	APVD
A	66	-	SEE SHEET 1	-	-



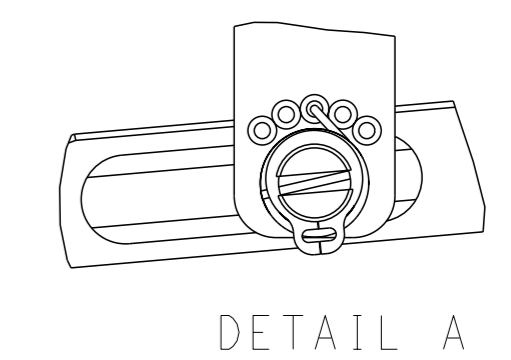
RAM AND HOLDDOWN SET-UP



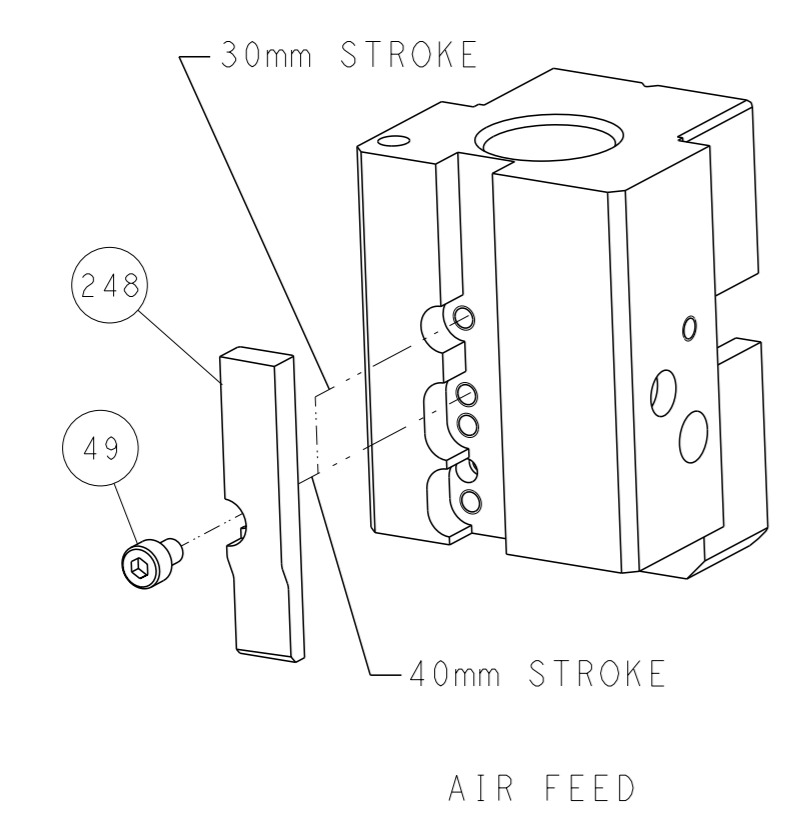
FEED TYPE



FEED SPRING SETTING POSITION



CAM POSITION

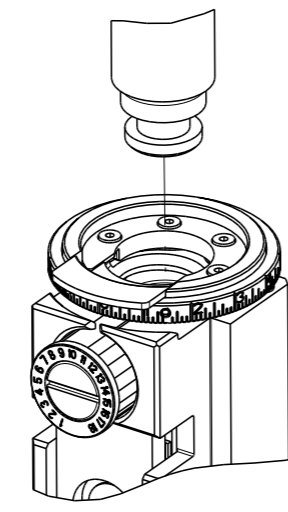


ATLANTIC VERSION
 Shown on sheets 1 of 4 & 2 of 4
 (Pacific version shown on sheets 3 of 4 & 4 of 4)

<small>THIS DRAWING IS A CONTROLLED DOCUMENT FROM TYCO ELECTRONICS CORPORATION. IT IS SUBJECT TO CHANGE AND THE CONTROL AND ENGINEERING DESIGNATION SHOULD BE CONTACTED FOR THE LATEST REVISION.</small>		OWN: J. HOU 10JUN2015 CHK: L. ZHANG 10JUN2015 APVD: H. GUO 10JUN2015	TE Connectivity Harrisburg, PA 17105-3608
DIMENSIONS: mm TOLERANCES UNLESS OTHERWISE SPECIFIED: 0 PLC ± 1 PLC ± 2 PLC ± 3 PLC ± 4 PLC ± ANGLES FINISH ±		NAME: Ocean End Feed Applicator PRODUCT SPEC: - APPLICATION SPEC: - WEIGHT: - SCALE: 1:1	SIZE: A1 CAGE CODE: 00779 DRAWING NO: C=2150549 SHEET 2 OF 4 REV F
MATERIAL: - FINISH: -		Customer Accessible Production Drawing	

8	7	6	5	4	3	2	1
THIS DRAWING IS UNPUBLISHED.		RELEASED FOR PUBLICATION		20			
COPYRIGHT 20 BY TYCO ELECTRONICS CORPORATION. ALL RIGHTS RESERVED.							
PART NUMBER	REVISION	DESCRIPTION	FEED TYPE				
2-2150549-2	F	FINE CRIMP HEIGHT ADJUST	PNEUMATIC				
7-2150549-7	A	CRIMP TOOLING KIT	-				

PACIFIC VERSION TERMINATOR
INTERFACE ADAPTER



APPLICATOR DATA		
CRIMP	SIZE	TYPE
WIRE	4.57 mm [.180]	F
INSUL	8.64 mm [.340]	O
APPL INSTRUCTIONS 408-35043		

TERMINAL DATA: TE TERMINAL		TE CRIMP SPECIFICATION	
TERMINAL NAME: RECEPTACLE FASTON .250 SERIES			
WIRE STRIP LENGTH 5.33-6.10 mm [.210-.240 IN]		INSULATION DIAMETER RANGE Ø5.84-7.11 mm [.230-.280 IN]	
TERMINAL APPLICATION SPECIFICATION 114-2036			
TERMINALS APPLIED			
TE TERMINAL	TE TERMINAL	TE TERMINAL	TE TERMINAL
62998-2			

WIRE SIZE	CRIMP HEIGHT mm [INCH]	CRIMP HEIGHT REFERENCE SETTING
8 AWG	3.05 +/- 0.05 [.120 +/- .002]	3.6
2X 12 AWG	2.79 +/- 0.05 [.110 +/- .002]	5.8
10 AWG	2.54 +/- 0.05 [.100 +/- .002]	8.5

- RECOMMENDED SPARE PARTS
- REFER TO SUPPLIED INSTRUCTION SHEET FOR CLEANING, LUBRICATION AND STORAGE OF APPLICATOR.
- APPLY PART NUMBER 2-23419-6 LOCTITE TO THREADS OF ITEM 242. APPLY PART NUMBER 1-23419-5 LOCTITE TO THREADS OF ITEM 180.
- CRIMP HEIGHT REFERENCE SETTING WAS THE SETTING USED WHEN THE APPLICATOR WAS QUALIFIED AT THE FACTORY. ADJUSTMENT MAY BE NECESSARY WHEN RUNNING APPLICATOR IN THE FIELD.
- TERMINAL PITCH NOT COMPATIBLE WITH MECHANICAL FEED.
- UNLESS SPECIFIED OTHERWISE TORQUE VALUES SHALL BE USED PER DOCUMENT, 101-35000.

***WARNING**
ON INSTALLATION, SET WIRE DISC TO CRIMP HEIGHT REFERENCE SETTING FOR LARGEST WIRE SIZE. CRIMP HEIGHT REFERENCE SETTINGS GREATER THAN THE VALUE SHOWN MAY CAUSE DAMAGE TO THE CRIMP TOOLING. REFER TO THE INSTRUCTION SHEET FOR PROPER SETUP AND ADJUSTMENTS.

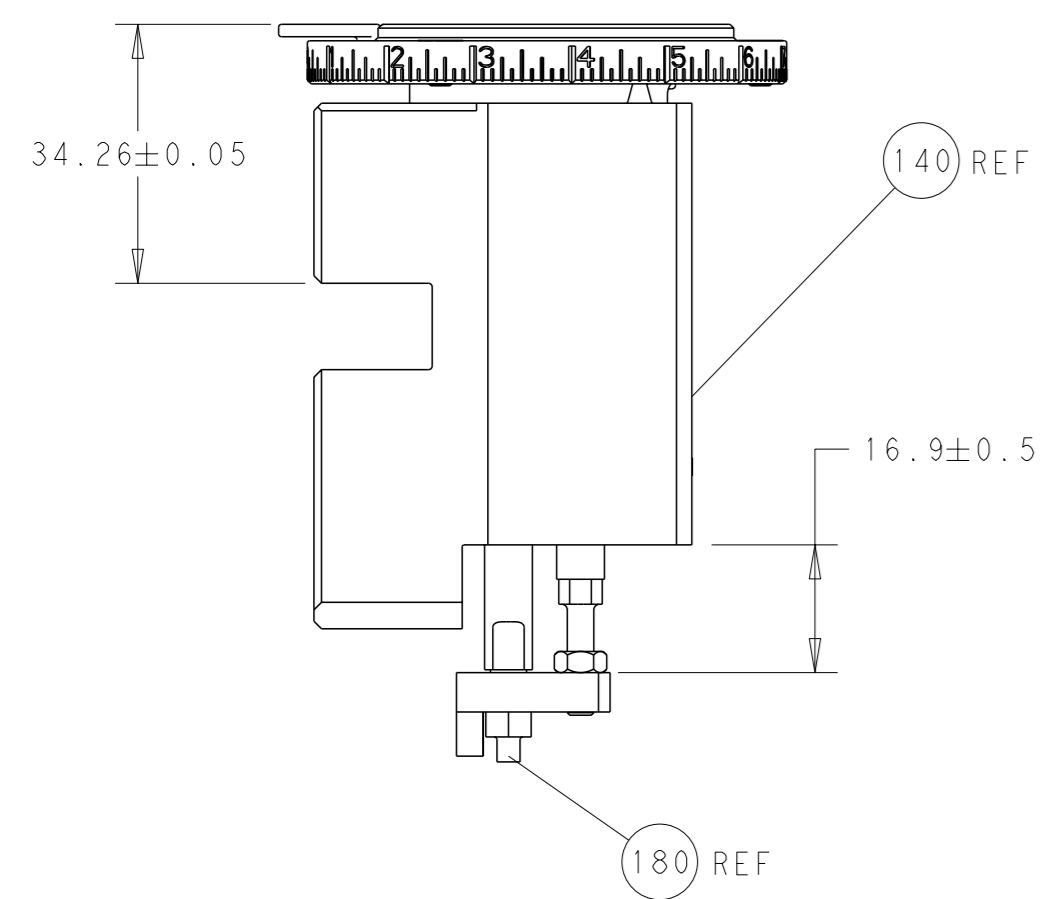
LOC	DIST	REVISIONS			
A	66	REV	DATE	BY	APPV
		-	SEE SHEET 1	-	-

-	1	2119082-9	CAM, SNAIL, INSULATION ADJUSTMENT	244	
-	1	2079764-1	WASHER, WAVE SPRING, CREST-TO-CREST	243	
3	-	1	2119083-1	RETAINER, INSULATION DIAL	242
-	1	2844940-3	AIR FEED MODULE	238	
-	1	1-18028-0	WASHER, FLAT, REG M8	192	
-	4	2079383-9	SCR, BHSC, RoHS (M6 X 20)	186	
3	-	1	1-1976055-1	STANDOFF, HOLD-DOWN	180
-	1	6-993111-6	PIN, SLOTTED SPRING 3.0 X 14.0	177	
-	1	8-22280-7	SPRING, COMPRESSION	176	
-	1	1752353-2	GUIDE PIN, HOLDDOWN	175	
-	1	1901680-2	GUIDE PIN, HOLDDOWN	174	
-	REF	994970-2	COUNTER, MAGNETIC	164	
-	1	2119641-2	FEED CAM, AIR FEED	152	
-	1	2168083-8	SCR, SKT HD CAP, RoHS, M4 X 16	144	
-	1	2119655-6	APPLICATOR BASIC ASSEMBLY, EF	141	
-	1	1803518-1	RAM ASSEMBLY, EF PACIFIC	140	
-	1	455888-5	SPACER, CRIMPER	82	
-	1	2119791-5	DEPRESSOR, WIRE	73	
-	1	1803607-4	DOCUMENTATION PACKAGE	71	
-	2	2-18032-2	SCR, SET, FLT PNT, M3 X 10.0	70	
-	1	2119740-1	TAG, IDENTIFICATION	67	
-	2	2168078-1	SCREW, DRIVE, RH, RoHS, 2 x .188	66	
-	1	1901681-5	HOLDDOWN, TERMINAL	65	
-	2	2168400-5	SHCS, LOW HEAD, RoHS, M4 X 20	64	
-	1	5-18022-5	SCR, HEX HD CAP, M4 X 6.0	59	
-	3	2168400-4	SHCS, LOW HEAD, RoHS, M4 X 8	57	
-	2	1-2168083-0	SCR, SKT HD CAP, RoHS, M4 X 10	56	
-	2	5018030-1	NUT, HEX, REG, RoHS, M3	54	
-	2	986965-8	NUT, LOCK, HEX, TORQUE (M4)	53	
-	1	1-5018030-0	NUT, HEX, REG, RoHS, M3.5	52	
-	1	2063961-1	FEED FINGER	51	
-	1	18023-9	SCR, SKT HD CAP M4 X 6.0	49	
-	1	1803602-1	SCR, BHSC, RoHS (M8 X 25)	41	
-	7	1-18028-2	WASHER, FLAT, REG M4	33	
-	2	2168083-9	SCR, SKT HD CAP, RoHS, M4 X 20	31	
-	2	2168083-2	SCR, SKT HD CAP, RoHS, M4 X 8.0	29	
-	1	240639-1	STRIPPER (MACHINING)	27	
-	2	1-2168083-5	SCR, SKT HD CAP, RoHS, M4 X 30	25	
-	1	1752371-5	PLATE, STRIP GUIDE	24	
-	1	240825-5	PLATE, STRIP HOLD DOWN	23	
-	2	2-22281-3	SPRING, COMPRESSION	22	
-	1	1803292-4	DRAG	20	
-	2	1901259-7	GUIDE, LOWER STRIP	18	
-	1	6-240641-4	SPACER	16	
-	1	1752360-1	SPACER, HOLD-DOWN	13	
1	-	1	240644-9	PLATE, REAR SHEAR	11
-	-	-	-	10	
1	-	1	5-690495-1	PLATE, FRONT SHEAR	9
1	1	1	1803003-3	ANVIL, COMBINATION, END FEED	8
1	-	1	2217206-8	BLADE, SLUG	7
-	-	-	-	6	
-	1	1	240641-1	SPACER	5
-	1	1	238011-3	BLOCK, CRIMPER SPACER	4
1	1	1	4-1803018-3	CRIMPER, INSULATION O	3
1	1	1	9-1633664-6	CRIMPER, WIRE	1

PACIFIC VERSION
Shown on sheets 3 of 4 & 4 of 4
(Atlantic version shown on sheets 1 of 4 & 2 of 4)

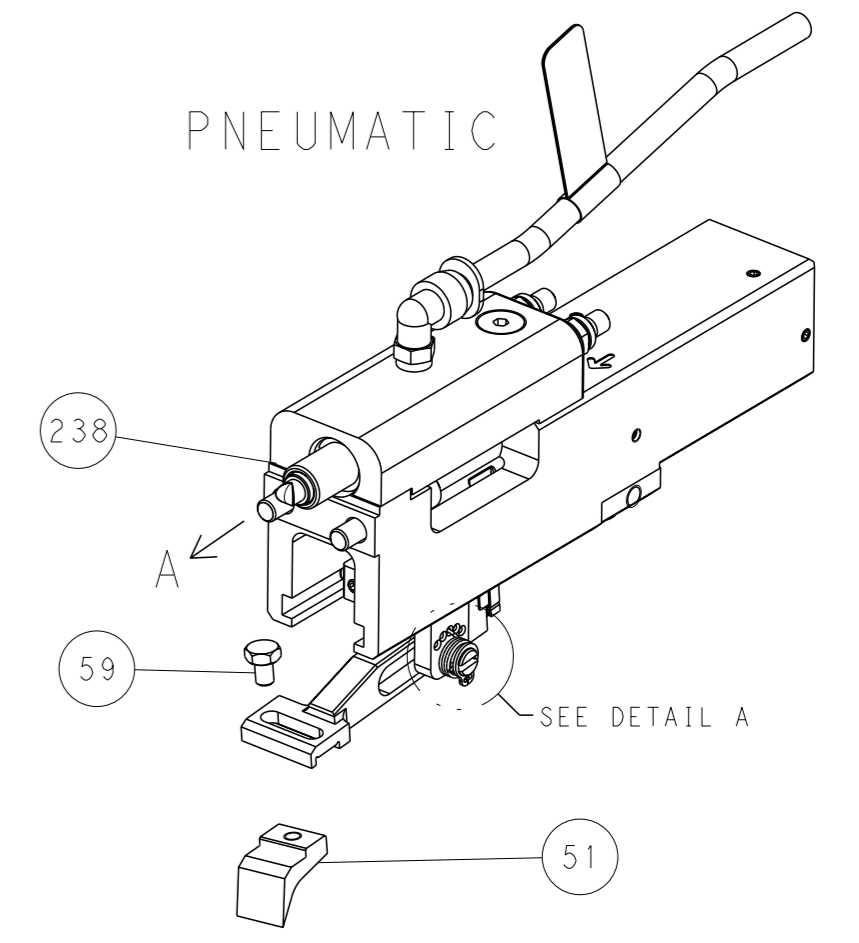
<small>THIS DRAWING IS UNPUBLISHED. IT IS SUBJECT TO CHANGE AND THE USER ASSUMES ALL RESPONSIBILITY FOR THE CORRECTNESS OF THE INFORMATION SHOWN ON THIS DRAWING.</small>		DWG: J. HOU 10JUN2015 CHK: L. ZHANG 10JUN2015 APVD: U. GUO 10JUN2015	NAME: Ocean End Feed Applicator SIZE: A1 CAGE CODE: 00779 DRAWING NO: ©=2150549 SCALE: 1:1 SHEET: 3 of 4 REV: F
DIMENSIONS: mm 0 PLC ± 1 PLC ± 2 PLC ± 3 PLC ± 4 PLC ± ANGLES FINISH ±		TOLERANCES UNLESS OTHERWISE SPECIFIED: ± ± ± ± ±	RESTRICTED TO: Customer Accessible Production Drawing

LOC	DIST	REVISIONS			
P	LYR	DESCRIPTION	DATE	OWN	APVD
A	66	SEE SHEET 1	-	-	-

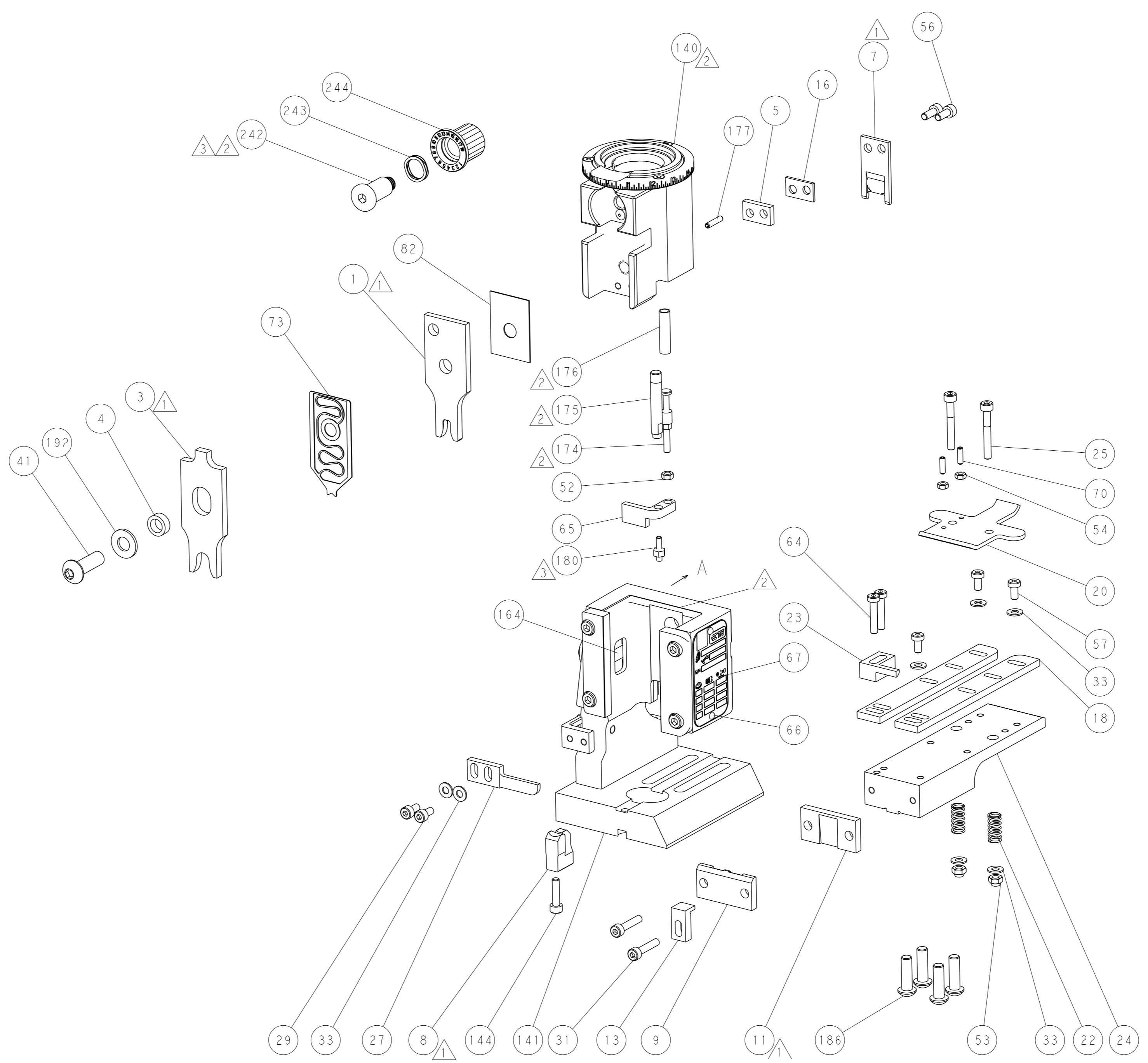
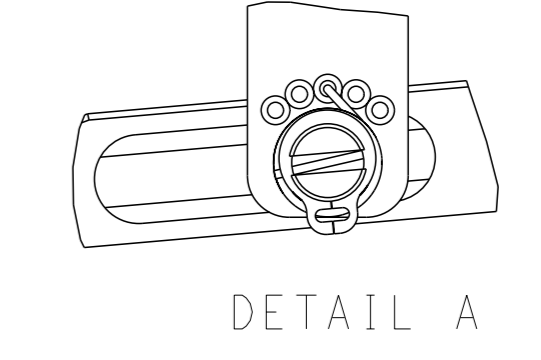


RAM AND HOLDDOWN SET-UP

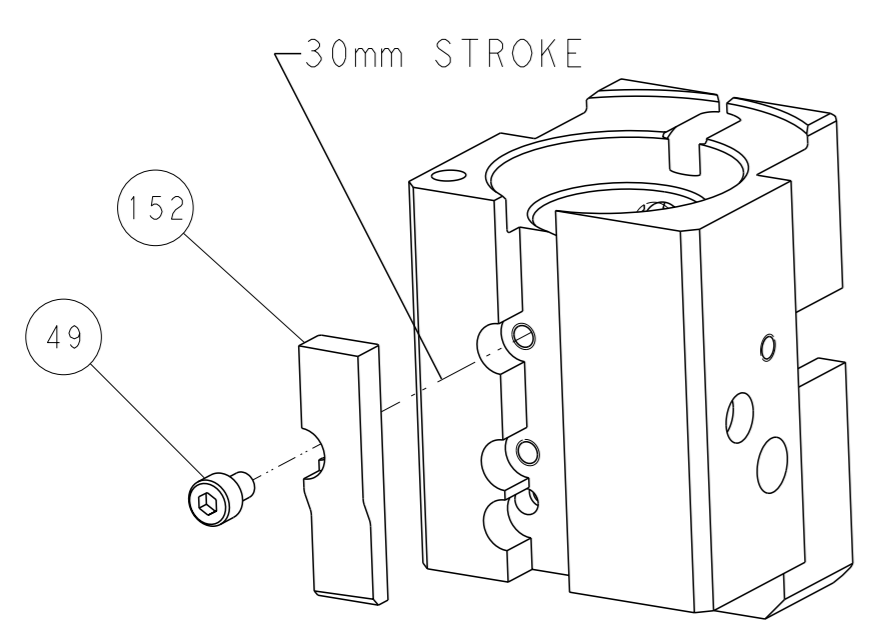
FEED TYPE



FEED SPRING SETTING POSITION



CAM POSITION



AIR FEED

PACIFIC VERSION
 Shown on sheets 3 of 4 & 4 of 4
 (Atlantic version shown on sheets 1 of 4 & 2 of 4)

<small>THIS DRAWING IS A CONTROLLED DOCUMENT FOR TYCO ELECTRONICS CORPORATION. IT IS SUBJECT TO CHANGE AND THE USER'S RESPONSIBILITY TO VERIFY THE LATEST REVISION SHOULD BE CONTACTED FOR THE LATEST REVISION.</small>		OWN: J. HOU 10JUN2015 CHK: L. ZHANG 10JUN2015 APVD: H. GUO 10JUN2015	TE Connectivity Harrisburg, PA 17105-3608
DIMENSIONS: mm TOLERANCES UNLESS OTHERWISE SPECIFIED: 0 PLC ± 1 PLC ± 2 PLC ± 3 PLC ± 4 PLC ± ANGLES FINISH *		NAME: Ocean End Feed Applicator PRODUCT SPEC: APPLICATION SPEC: WEIGHT:	SIZE: A1 CAGE CODE: 00779 DRAWING NO: C=2150549 RESTRICTED TO:
MATERIAL:		SCALE: 1:1 SHEET: 4 of 4 REV: F	Customer Accessible Production Drawing

X-ON Electronics

Largest Supplier of Electrical and Electronic Components

Click to view similar products for [Bench Top Tools](#) category:

Click to view products by [TE Connectivity](#) manufacturer:

Other Similar products are found below :

[0027](#) [6-1372442-6](#) [63801-4462](#) [63801-4561](#) [63801-7269](#) [679527-1](#) [691667-1](#) [7-21000-9](#) [768539-1](#) [854130-1](#) [854946-2](#) [856203-1](#) [904449-1](#)
[9-22280-9](#) [986096-2](#) [992438-3](#) [1-21000-3](#) [1-21000-1](#) [1-25022-4](#) [1302263353](#) [1302263355](#) [1302261057](#) [1302261101](#) [1302261206](#)
[1302261560](#) [1302263123](#) [1302264036](#) [1424264-1](#) [1424267-1](#) [1428211-1](#) [1428287-1](#) [1-455755-6](#) [1752744-1](#) [18023-9](#) [189763-1](#) [1901726-1](#)
[2079747-1](#) [21001-2](#) [2119083-1](#) [2119085-1](#) [2119371-1](#) [2161930-1](#) [2217088-2](#) [2217339-1](#) [2217347-1](#) [22281-9](#) [22374-7](#) [284565-000](#) [F1](#)
[Handle Spring](#) [19228-0213](#)