

4

3

2

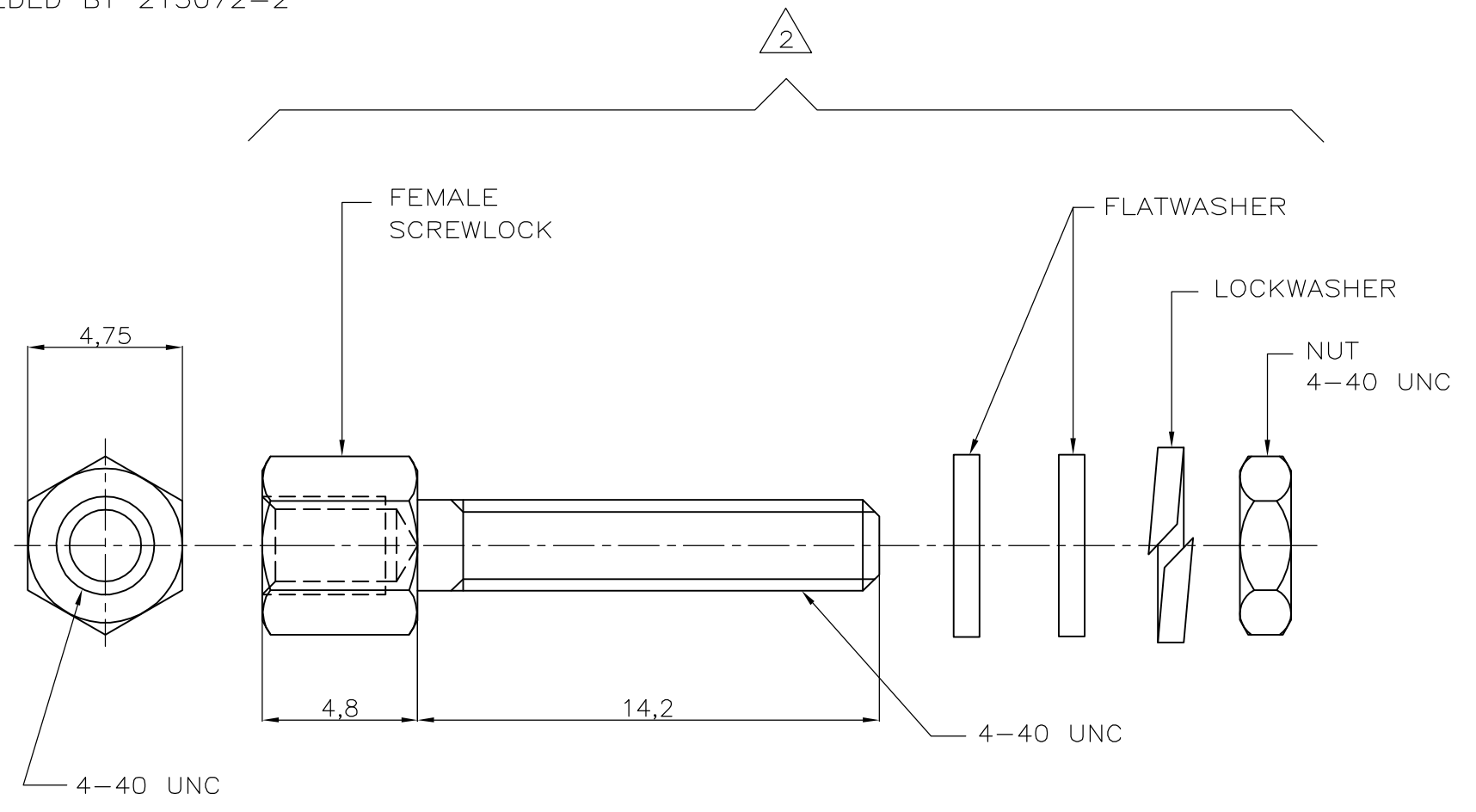
1

THIS DRAWING IS UNPUBLISHED. RELEASED FOR PUBLICATION
 © COPYRIGHT - BY TYCO ELECTRONICS CORPORATION. ALL RIGHTS RESERVED.

LOC	DIST	REVISIONS					
H	-	P	LTR	DESCRIPTION	DATE	DWN	APVD
		B		ECR-06-020201	06-12-06	BSV	MK

NOTES:

- 1 PARTS PACKAGED UNASSEMBLED
- 2 THIS KIT CONTAINS TWO SCREWLOCK ASSEMBLIES
- 3 BULKPACKAGE CONSISTS OF 50 KITS
PLEASE ORDER IN UNITS OF 50 KITS
- 4 FOR MOUNTING INSTRUCTIONS SEE I-042-087
- 5 215072-1 SUPERSEDED BY 215072-2



BULK PACKAGED	3	BRIGHT TINPLATED	215072-2
BULK PACKAGED	3	ZINC YELLOW CHROMATE	5 215072-1
DESCRIPTION		FINISH	MATERIAL
			PART NUMBER

THIS DRAWING IS A CONTROLLED DOCUMENT.		DWN	P.D.JAGER	10APR89	Tyco Electronics Corporation s-HertogenBosch, Nederland,		
DIMENSIONS: MM		CHK		19APR89			
		TOLERANCES UNLESS OTHERWISE SPECIFIED:		APVD	05JUN89	PRODUCT SPEC	
MATERIAL		FINISH		APPLICATION SPEC			RESTRICTED TO
-		-		WEIGHT	-	SIZE	A3
CUSTOMER DRAWING				SCALE	NTS	SHEET	1 OF 1
				REV	B		

X-ON Electronics

Largest Supplier of Electrical and Electronic Components

Click to view similar products for [D-Sub Tools & Hardware](#) category:

Click to view products by [TE Connectivity](#) manufacturer:

Other Similar products are found below :

[000-01-09-132](#) [000-01-21-132](#) [000-01-31-162](#) [572019-00105-70](#) [000-01-37-162](#) [621-250-113-115](#) [D110550-2](#) [D20418-137](#) [780-518-50SG6-WS](#) [86552009](#) [86553115TLF](#) [86553117TLF](#) [1230032-1](#) [1-5021101-2](#) [1589283-4](#) [160-000-005R031](#) [16-000230](#) [160-025-004R031](#) [160-000-137R000](#) [160-020-209R000](#) [164C03939A](#) [177-505-A-2-2](#) [1-966830-8](#) [21018-6](#) [21028-2](#) [2-1393560-9](#) [JS-1000](#) [L17D204182M3E](#) [L17D53018](#) [300X10779X](#) [160X10189X](#) [160X10419X](#) [160X10959X](#) [162-000-050R000](#) [21018-5](#) [212561-3](#) [248C21550X](#) [CF15P](#) [QLOCKPOST-2](#) [D110277](#) [500-008NF1K-01](#) [500-008NF3R3KS-01](#) [500-017M09FN](#) [500-017M15MHN](#) [500-024M1](#) [500-068M3](#) [5-1393561-5](#) [C115373-0001](#) [C115373-0002](#) [3342-4-KIT](#)