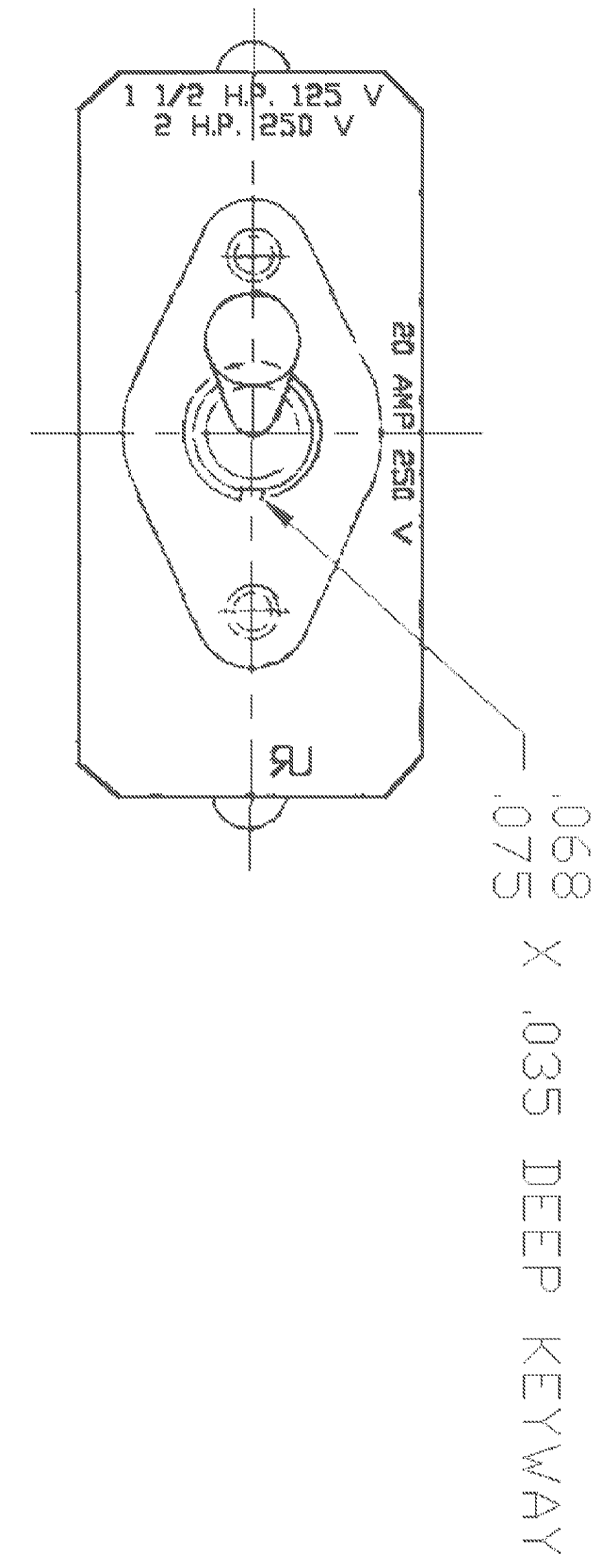
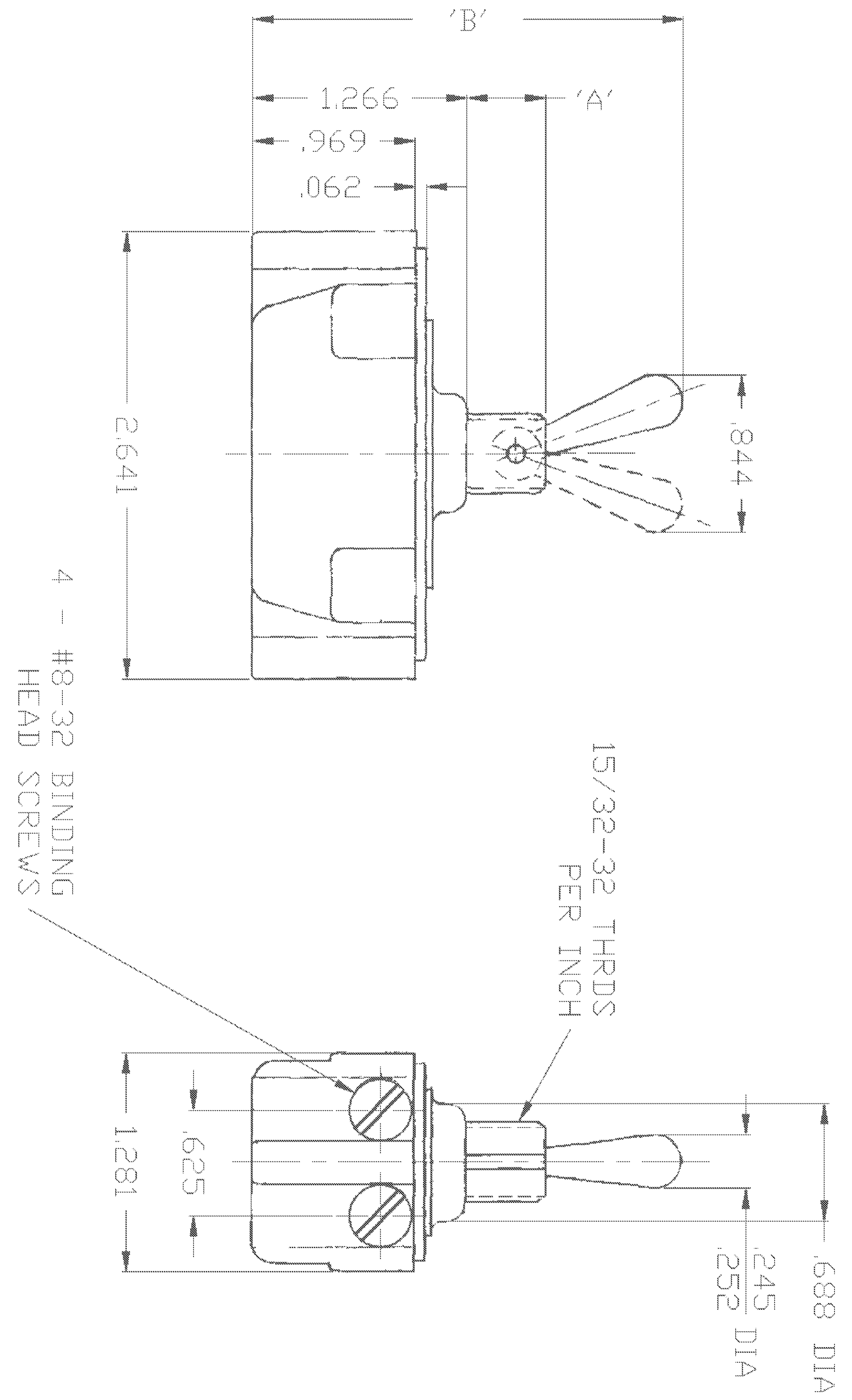


TYCO NO. 1520230-6  
(ARAB NO. 8909K500)

90-15569

THIS DRAWING IS A CONTROLLED DOCUMENT.		DWN: WESTEMEIER	01AUG00	 TE Connectivity
DIMENSIONS: INCHES		CHK: R. WALLEN	02AUG00	
TOLERANCES UNLESS OTHERWISE SPECIFIED:		APVD: R. WALLEN	02AUG00	NAME: 20A 250V PANEL MOUNT ROCKER SWITCH
0 PLC ± -		PRODUCT SPEC		TYCO NO. 1520230-6
1 PLC ± -		APPLICATION SPEC		(ARAB NO. 8909K500)
2 PLC ± -		SIZE: A1	CAGE CODE: 00779	DRAWING NO: 1520230
3 PLC ± .016		WEIGHT: -		RESTRICTED TO: -
4 PLC ± -		CUSTOMER DRAWING	SCALE: 1:1	SHEET: 1 OF 2
ANGLES ± -				REV: B1
FINISH: -				



2-1520230-2	7402K4 T-PAK	.469	2.547
2-1520230-1	7402K3 T-PAK	.344	2.422
2-1520230-3	8909K27	.469	2.547
1520230-9	8910K202	.469	2.547
1520230-8	8910K165	.469	2.547
1520230-5	8909K4	.469	2.547
1520230-4	7403K2	.469	2.547
1520230-3	7403K1	.344	2.422
1520230-2	7402K4	.469	2.547
1520230-1	7402K3	.344	2.422
TYCO NO.	ARAB NO.	DIM 'A'	DIM 'B'
			90-347

THIS DRAWING IS A CONTROLLED DOCUMENT.

DWG: F.R. LEONARD 19SEP40  
 CHK: J. RACH 040CT40  
 APD: G.J. 05OCT40

NAME: 20A 250VAC TOGGLE SWITCH

PRODUCT SPEC: -  
 APPLICATION SPEC: -

SIZE: A1  
 CAGE CODE: 00779  
 DRAWING NO: 1520230

RESTRICTED TO: -

SCALE: N.T.S. SHEET 2 OF 2

CUSTOMER DRAWING

## X-ON Electronics

Largest Supplier of Electrical and Electronic Components

*Click to view similar products for [Toggle Switches](#) category:*

*Click to view products by [TE Connectivity](#) manufacturer:*

Other Similar products are found below :

[A19HV](#) [8A1-C-222](#) [60012L](#) [6006L](#) [6663](#) [7101MD9V30GE](#) [7101SPDV30BE](#) [7103SDV30BE](#) [7105D](#) [7108P3YAV2BE](#) [71YY50282](#)  
[7201MD9AVBE](#) [7301K38](#) [7306K36](#) [7310K36](#) [7314K36](#) [7506K4](#) [7592K6](#) [7691K14](#) [7700K1](#) [8396K108](#) [8824K14](#) [8828K13](#) [G2VX](#) [G3VX](#)  
[PS83-121G](#) [A101MD9AB04](#) [A101SD9AB04](#) [A101SDCQ04](#) [A103SD9AQ04](#) [A107TZB04](#) [A123P32YZQ](#) [A123S1YZG](#) [A127S1YCQ](#) [1-](#)  
[1825192-0](#) [A131S1YZQ](#) [A201SCWZB04](#) [A207SYCB04](#) [A208J61ZQ0004](#) [A221K12KAG](#) [A221S1YZQ](#) [A221T1TCQ](#) [A232K12KZQ](#)  
[A232M1YCQ](#) [A323S1CWZQ](#) [A423S1CWZG-M8](#) [A423S1YZQ](#) [12149A-3V](#) [12156AX408](#) [12147AGKX679](#)