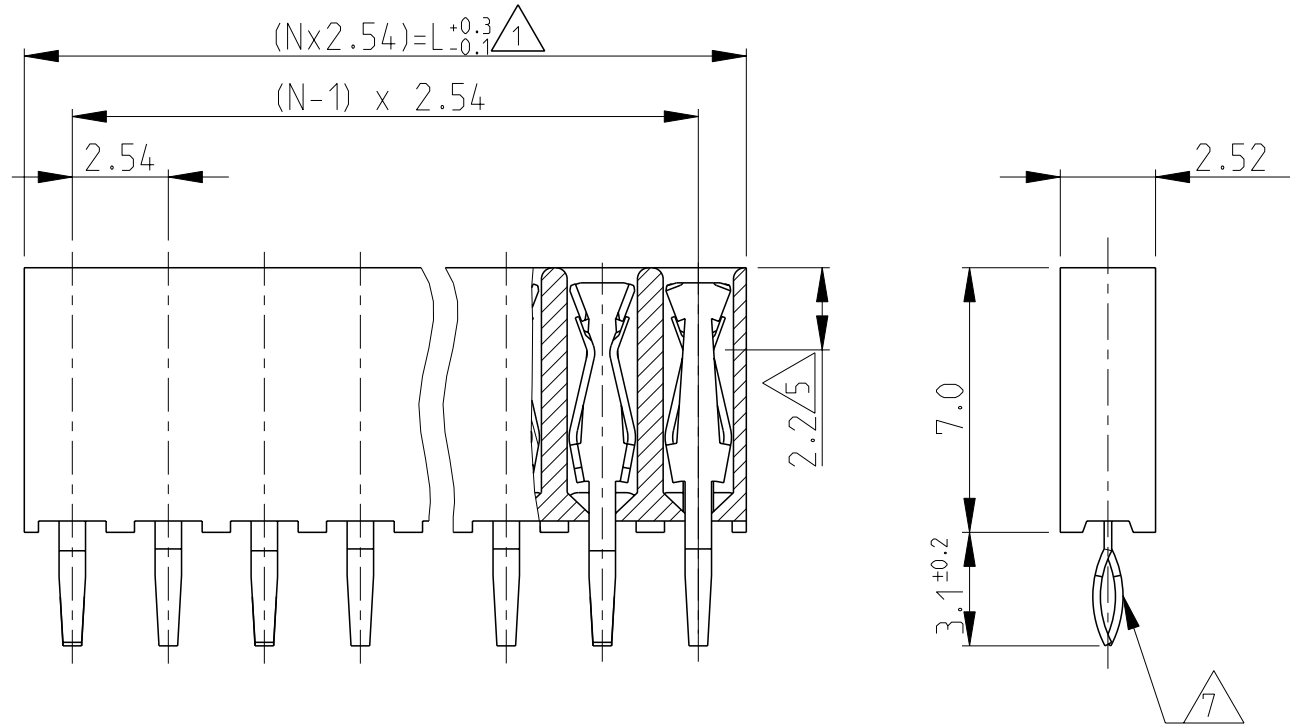


© 2019 TE Connectivity. All Rights Reserved.

REVISIONS

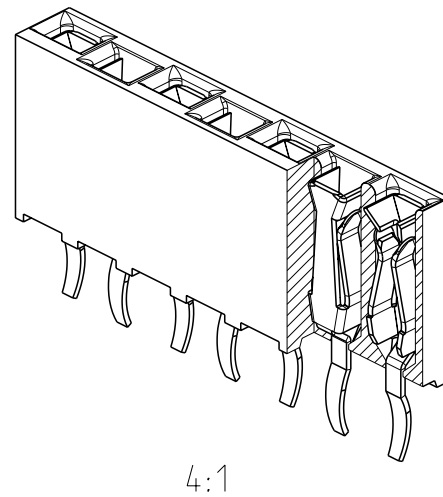
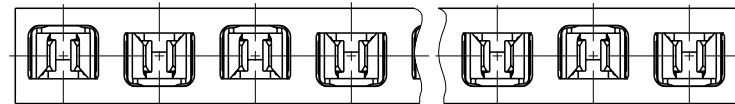
POS.	L	PART-NO.	
2	5.08	215298-2	
3	7.62	-3	OBSOLETE
4	10.16	-4	
5	12.70	-5	
6	15.24	-6	
7	17.78	-7	
8	20.32	-8	
9	22.86	-9	OBSOLETE
10	25.40	1-	OBSOLETE
11	27.94	1-	-1
12	30.48	1-	-2
13	33.02	1-	-3
14	35.56	1-	-4
15	38.10	1-	-5
16	40.64	1-	-6
17	43.18	1-	-7
18	45.72	1-	-8
19	48.26	1-	-9
20	50.80	2-	-0
21	53.34	2-	-1
22	55.88	2-	-2
23	58.42	2-	-3
24	60.96	2-	-4
25	63.50	2-	-5
26	66.04	2-	-6
27	68.58	2-	-7
28	71.12	2-	-8
29	73.66	2-	-9
30	76.2	3-	-0
31	78.74	3-	-1
32	81.28	3-	-2
33	83.82	3-	-3
34	86.36	3-	-4
35	88.90	3-	-5
36	91.44	3-215298-6	

P	LTR	DESCRIPTION	DATE	DWN	APVD
	F	PLASTIC MATERIAL SUPPLIER CHANGE	18MAR2019	SS	PS

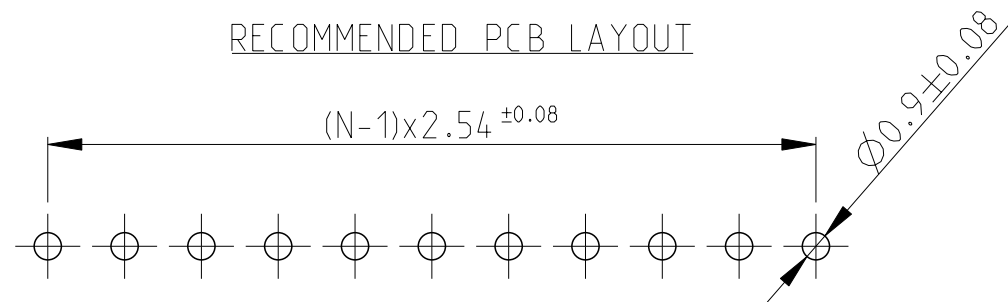


NOTES:

- 1. TO DETERMINE DIMENSIONS TAKE N = NO. OF POS.
FOR EXAMPLE: 10 POS.: N x 2,54 = 25,4 mm
FOR ORDER NO. USE BASIC NO. + NO. OF POS.
FOR EXAMPLE: 2 POS.= 215298-2 (SHORTEST VERSION)
36 POS.= 3-215298-6 (LONGEST VERSION)
- 2. HOUSING MATERIAL: PBT GREEN GLASSFILLED, UL 94V-0.
CONTACT MATERIAL: PHOSPHOR BRONZE.
- 3. PLATING: 2,5 µm-4,0 µm TIN OVER MIN 0,5 µm NICKEL
- 4. MATES WITH 0.63 SQUARE/ROUND MODU POSTS.
- 5. CONTACT-POINT.
- 6. RECOMMENDED P.C.BOARD-THICKNESS: 1,6mm.
- 7. PC-BOARD RETENTION FEATURE.
- 8. HV100 CONNECTOR PACKED IN ANTISTATIC BLISTER TRAY
- 9. RETENTION FORCE MUST BE MINIMUM 5N PER CONTACT



RECOMMENDED PCB LAYOUT



THIS DRAWING IS A CONTROLLED DOCUMENT.		DWN A.HO 24FEB1989			
DIMENSIONS: mm		CHK M.SCHAARSCHMIDT 24FEB1989			
TOLERANCES UNLESS OTHERWISE SPECIFIED: ±0.15		APVD G.FELDMEIER	NAME HV 100 CONNECTOR ; VERTICAL ; 7.0mm TOP ENTRY; SINGLE ROW ; TIN		
0 PLC ± 1 PLC ± 2 PLC ± 3 PLC ± 4 PLC ± ANGLES ±		PRODUCT SPEC 108-19056	SIZE A3	CAGE CODE 00779	DRAWING NO C-215298
MATERIAL 2		FINISH 3	APPLICATION SPEC -	RESTRICTED TO	
		WEIGHT -	SCALE 5:1	SHEET 1 OF 1	REV F
CUSTOMER DRAWING					

X-ON Electronics

Largest Supplier of Electrical and Electronic Components

Click to view similar products for [Headers & Wire Housings](#) category:

Click to view products by [TE Connectivity](#) manufacturer:

Other Similar products are found below :

[892-18-020-10-001101](#) [58102-G61-06LF](#) [582553-1](#) [0009485154](#) [009176003701906](#) [0050291907](#) [LY20-4P-DT1-P1E-BR](#) [02.125.8002.8](#)
[609-3404](#) [61062-3](#) [61082-181009](#) [622-3653LF](#) [63453-116](#) [636-1030](#) [636-1427](#) [636-3427](#) [636-4007](#) [641938-9](#) [641991-4](#) [644827-2](#) [65817-010LF](#) [65817-015LF](#) [65863-015LF](#) [66207-023LF](#) [67095-007LF](#) [67601157](#) [68645-018](#) [68648-049](#) [70.362.1628.0](#) [70-4210](#) [70-4226B](#) [70-4853B](#) [707-5020](#) [707-5028](#) [71.350.2428.0](#) [71918-208LF](#) [71961-016LF](#) [733-134](#) [733-162](#) [754199-000](#) [760-3052](#) [787-8014-00](#) [79531-3000](#)
[FCN-360C032-B](#) [FCN-367T-T012/H](#) [FCN-723D010/2](#) [80.063.4001.1](#) [800-90-001-10-001000](#) [800-90-010-10-002000](#) [801-43-002-10-013000](#)