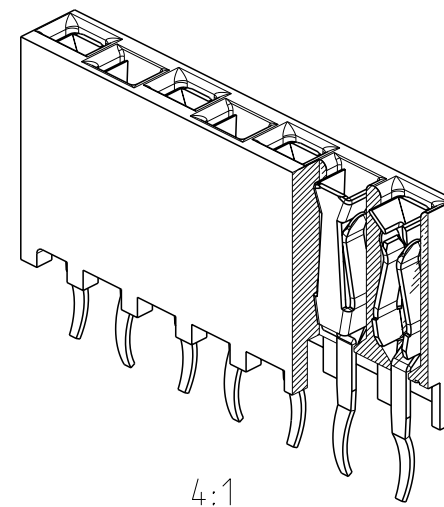
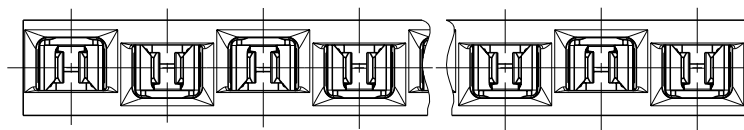
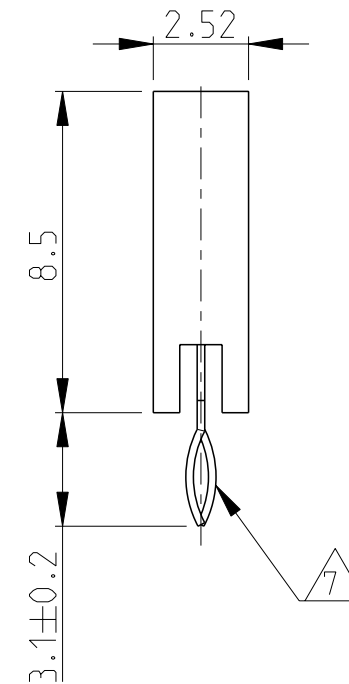
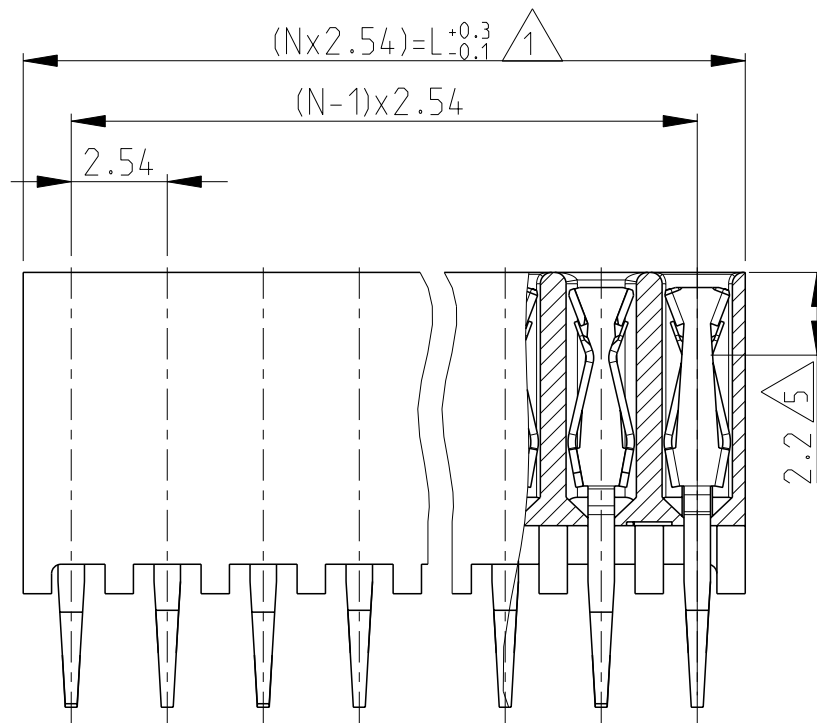


© 2019 TE Connectivity. All Rights Reserved.

REVISIONS

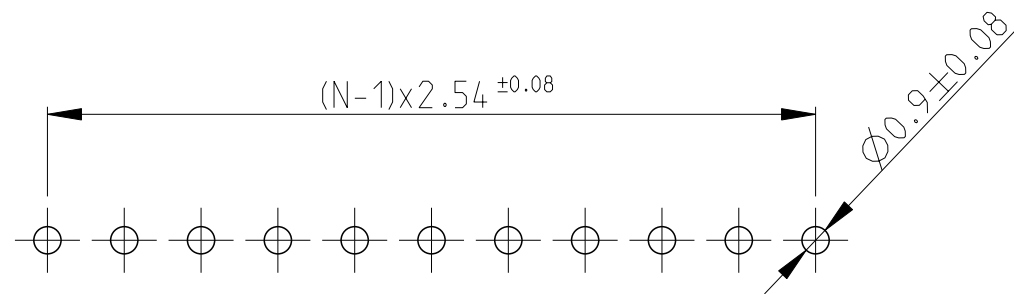
POS.	L	PART-NO.		
2	5.08	215300	-2	
3	7.62		-3	
4	10.16		-4	
5	12.70		-5	
6	15.24		-6	
7	17.78		-7	OBSOLETE
8	20.32		-8	
9	22.86		-9	OBSOLETE
10	25.40	1-	-0	
11	27.94	1-	-1	
12	30.48	1-	-2	
13	33.02	1-	-3	OBSOLETE
14	35.56	1-	-4	OBSOLETE
15	38.10	1-	-5	OBSOLETE
16	40.64	1-	-6	OBSOLETE
17	43.18	1-	-7	
18	45.72	1-	-8	
19	48.26	1-	-9	
20	50.80	2-	-0	
21	53.34	2-	-1	
22	55.88	2-	-2	
23	58.42	2-	-3	
24	60.96	2-	-4	OBSOLETE
25	63.50	2-	-5	
26	66.04	2-	-6	OBSOLETE
27	68.58	2-	-7	OBSOLETE
28	71.12	2-	-8	OBSOLETE
29	73.66	2-	-9	OBSOLETE
30	76.2	3-	-0	
31	78.74	3-	-1	OBSOLETE
32	81.28	3-	-2	
33	83.82	3-	-3	
34	86.36	3-	-4	OBSOLETE
35	88.90	3-	-5	
36	91.44	3-	-6	OBSOLETE

P	LTR	DESCRIPTION	DATE	DWN	APVD
	G	PLASTIC MATERIAL SUPPLIER CHANGE	18MAR2019	SS	PS



NOTES:

- 1 TO DETERMINE DIMENSIONS TAKE N = NO. OF POS.
FOR EXAMPLE: 10 POS.: N x 2.54 = 25.4 mm
FOR ORDER NO. USE BASIC NO. + NO. OF POS.
FOR EXAMPLE: 2 POS.= 215300-2 (SHORTEST VERSION)
36 POS.= 3-215300-6 (LONGEST VERSION)
- 2. HOUSING MATERIAL: PBT GREEN GLASSFILLED,
UL 94V-0
CONTACT MATERIAL: PHOSPHOR BRONZE.
- 3. PLATING: 2,5 µm-4.0 µm TIN OVER MIN 0.5 µm NICKEL
- 4. MATES WITH 0.63 SQUARE/ROUND MODU POSTS.
- 5 CONTACT-POINT.
- 6. RECOMMENDED P.C.BOARD-THICKNESS: 1.6mm.
- 7 PC-BOARD RETENTION FEATURE.
- 8. HV100 CONNECTOR PACKED IN ANTISTATIC BLISTER TRAY



THIS DRAWING IS A CONTROLLED DOCUMENT.		DWN L.V.D. HEYDEN 07SEP1986			
DIMENSIONS: mm		CHK W.SIMONS			
TOLERANCES UNLESS OTHERWISE SPECIFIED: ±0.15		APVD L.v.SQEST	NAME HV100 CONNECTOR ; VERTICAL; 8.5mm TOP ENTRY: SINGLE ROW; TIN		
 0 PLC ± 1 PLC ± 2 PLC ± 3 PLC ± 4 PLC ± ANGLES ±		PRODUCT SPEC 108-19056	SIZE A3	CAGE CODE 00779	DRAWING NO C-215300
MATERIAL 2		FINISH 3	APPLICATION SPEC -	RESTRICTED TO	
		WEIGHT -	SCALE 5:1	SHEET 1 OF 1	REV G
CUSTOMER DRAWING					

X-ON Electronics

Largest Supplier of Electrical and Electronic Components

Click to view similar products for [Headers & Wire Housings](#) category:

Click to view products by [TE Connectivity](#) manufacturer:

Other Similar products are found below :

[892-18-020-10-001101](#) [58102-G61-06LF](#) [582553-1](#) [0009485154](#) [009176003701906](#) [0050291907](#) [LY20-4P-DT1-P1E-BR](#) [02.125.8002.8](#)
[609-3404](#) [61062-3](#) [61082-181009](#) [622-3653LF](#) [63453-116](#) [636-1030](#) [636-1427](#) [636-3427](#) [636-4007](#) [641938-9](#) [641991-4](#) [644827-2](#) [65817-010LF](#) [65817-015LF](#) [65863-015LF](#) [66207-023LF](#) [67095-007LF](#) [67601157](#) [68645-018](#) [68648-049](#) [70.362.1628.0](#) [70-4210](#) [70-4226B](#) [70-4853B](#) [707-5020](#) [707-5028](#) [71.350.2428.0](#) [71918-208LF](#) [71961-016LF](#) [733-134](#) [733-162](#) [754199-000](#) [760-3052](#) [787-8014-00](#) [79531-3000](#)
[FCN-360C032-B](#) [FCN-367T-T012/H](#) [FCN-723D010/2](#) [80.063.4001.1](#) [800-90-001-10-001000](#) [800-90-010-10-002000](#) [801-43-002-10-013000](#)