

© 2019 TE Connectivity. All Rights Reserved.

REVISIONS

POS. PER ROW N	L	PART NUMBER
2	5.08	215307 -2
3	7.62	-3
4	10.16	-4
5	12.70	-5
6	15.24	-6
7	17.78	-7
8	20.32	-8
9	22.86	-9
10	25.40	1- -0
11	27.94	1- -1
12	30.48	1- -2
13	33.02	1- -3
14	35.56	1- -4
15	38.10	1- -5
16	40.64	1- -6
17	43.18	1- -7
18	45.72	1- -8
19	48.26	1- -9
20	50.80	2- -0
21	53.34	2- -1
22	55.88	2- -2
23	58.42	2- -3
24	60.96	2- -4
25	63.50	2- -5
26	66.04	2- -6
27	68.58	2- -7
28	71.12	2- -8
29	73.66	2- -9
30	76.2	3- -0
31	78.74	3- -1
32	81.28	3- -2
33	83.82	3- -3
34	86.36	3- -4
35	88.90	3- -5
36	91.44	3- 215307 -6

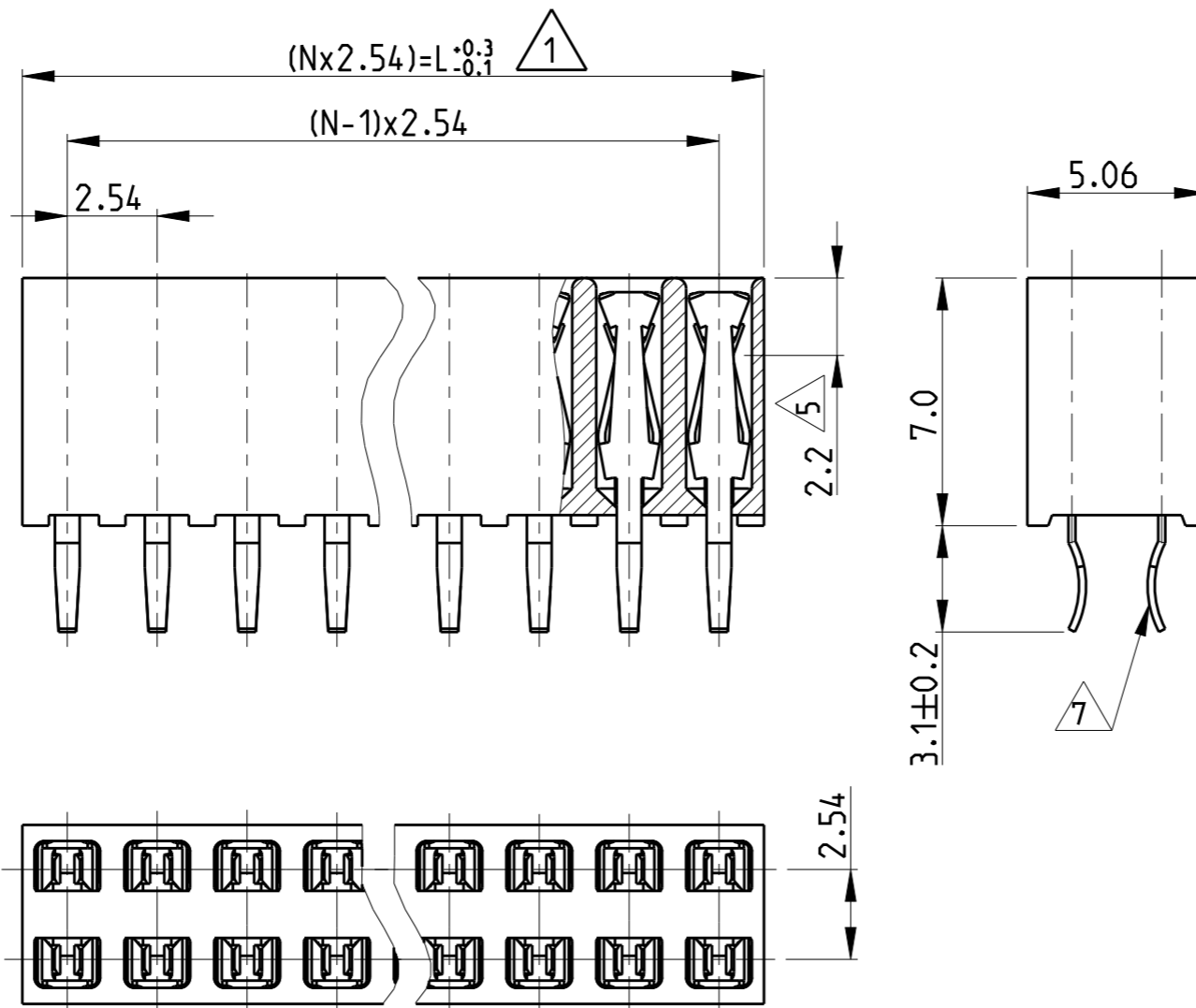
OBSOLETE

OBSOLETE

OBSOLETE

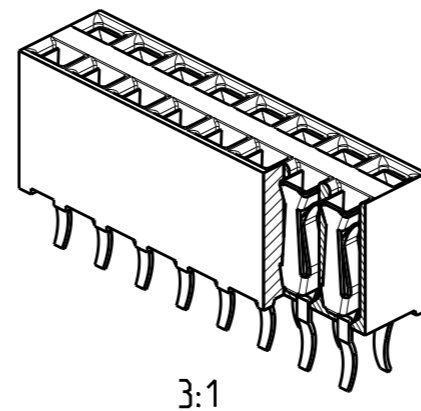
OBSOLETE

OBSOLETE

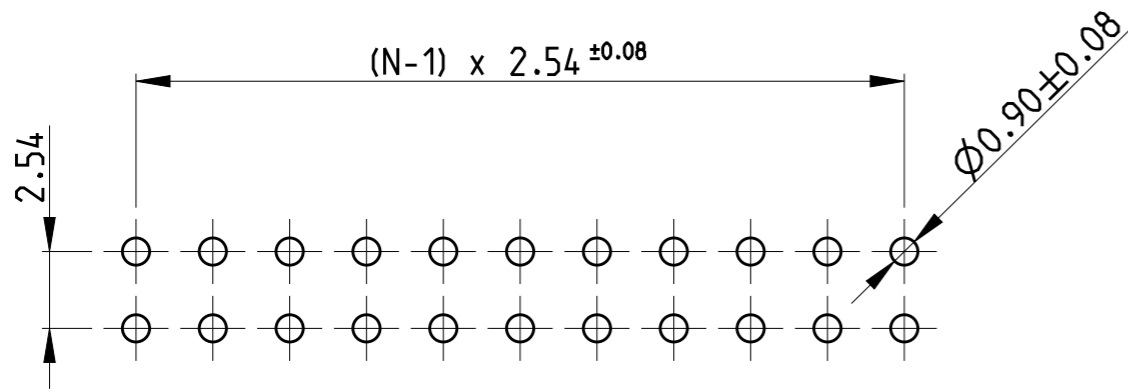


NOTES:

- 1 TO DETERMINE DIMENSIONS TAKE 2xN = NR. OF POS.
FOR EXAMPLE: 2x10 POS; N x 2.54= 25.4mm
FOR ORDER NO: USE BASIC - NR. + NR. OF POS.
FOR EXAMPLE: 2x2POS. = 215307-2 (SHORTEST VERSION)
2x36POS. =3-215307-6 (LONGEST VERSION)
- 2 HOUSING MATERIAL: PBT GREEN GLASS FILLED, UL 94V-0
CONTACT MATERIAL: PHOSPHOR BRONZE
- 3 PLATING: UNDER COATING: 1.3 μm Ni
AT CONT. PLACE: 0.8 μm Au
AT SOLDER-TYNES: 2.5 μm Sn
- 4 MATES WITH 0.63 SQUARE/ROUND MODU POSTS
- 5 CONTACT POINT
- 6 RECOMMENDED PC BOARD THICKNESS: 1.6mm
- 7 PC-BOARD RETENTION FEATURE
- 8 HV100 CONNECTOR PACKED IN ANTI-STATIC BLISTER TRAY



RECOMMENDED PCB LAYOUT



THIS DRAWING IS A CONTROLLED DOCUMENT.

DIMENSIONS: mm	TOLERANCES UNLESS OTHERWISE SPECIFIED: ±0.15
	0 PLC ±
	1 PLC ±
	2 PLC ±
	3 PLC ±
	4 PLC ±
	ANGLES ±
MATERIAL 2	FINISH 3

DWN	R.VISSER	08MAY1987
CHK	W.SIMONS	-
APVD	L.V.SOEST	-
PRODUCT SPEC	108-19056	
APPLICATION SPEC	-	
WEIGHT	-	
CUSTOMER DRAWING		

		NAME	
		HV100 CONNECTOR VERTICAL, 7.0mm TOP ENTRY, DUAL ROW, GOLD	
SIZE	CAGE CODE	DRAWING NO	RESTRICTED TO
A3	00779	C-215307	
SCALE		SHEET	REV
5:1		1 OF 1	F

X-ON Electronics

Largest Supplier of Electrical and Electronic Components

Click to view similar products for [Headers & Wire Housings](#) category:

Click to view products by [TE Connectivity](#) manufacturer:

Other Similar products are found below :

[892-18-020-10-001101](#) [58102-G61-06LF](#) [582553-1](#) [0009485154](#) [009176003701906](#) [0050291907](#) [LY20-4P-DT1-P1E-BR](#) [02.125.8002.8](#)
[609-3404](#) [61062-3](#) [61082-181009](#) [622-3653LF](#) [63453-116](#) [636-1030](#) [636-1427](#) [636-3427](#) [636-4007](#) [641938-9](#) [641991-4](#) [644827-2](#) [65817-010LF](#) [65817-015LF](#) [65863-015LF](#) [66207-023LF](#) [67095-007LF](#) [67601157](#) [68645-018](#) [68648-049](#) [70.362.1628.0](#) [70-4210](#) [70-4226B](#) [70-4853B](#) [707-5020](#) [707-5028](#) [71.350.2428.0](#) [71918-208LF](#) [71961-016LF](#) [733-134](#) [733-162](#) [754199-000](#) [760-3052](#) [787-8014-00](#) [79531-3000](#)
[FCN-360C032-B](#) [FCN-367T-T012/H](#) [FCN-723D010/2](#) [80.063.4001.1](#) [800-90-001-10-001000](#) [800-90-010-10-002000](#) [801-43-002-10-013000](#)